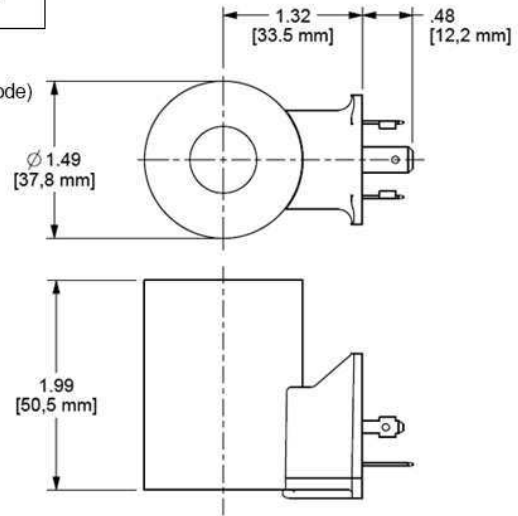


DC COIL
(without TVS Diode)



Pilot-operated, balanced-piston relief cartridges are normally closed pressure regulating valves. When the pressure at the inlet (port 1) reaches the valve setting, the valve starts to open to tank (port 2), throttling flow to regulate the pressure. These valves are accurate, have low pressure rise vs. flow, they are smooth and quiet, and are moderately fast.

TECHNICAL DATA

Operating Temperature Range	-30 to 110 °C
Arc Suppression (TVS)	None
Power Consumption (cold) - at rated voltage	25 Watts
Maximum Ambient Temperature	50 °C
Voltage/Frequency	24 VDC
Operating Voltage Range	+10%/-15%
Duty Cycle Rating	100 %
Connector	ISO4400 - EN/DIN175301-803, Form A (ISO/DIN 43650) 3-pin
Coil Nut Torque	0,5 Nm

USED WITH

DAAF	DBAF	DFBF	DFBG	DLDF	DTAF	DTBF	DTDF	DWDF	FPBF
FPBG	FPBI	FPBJ	FPBU	991711300	991711600	991712300	991712600	991713030	991713060
991740001	XMD-01	XMD-02							