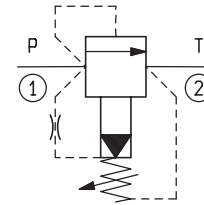
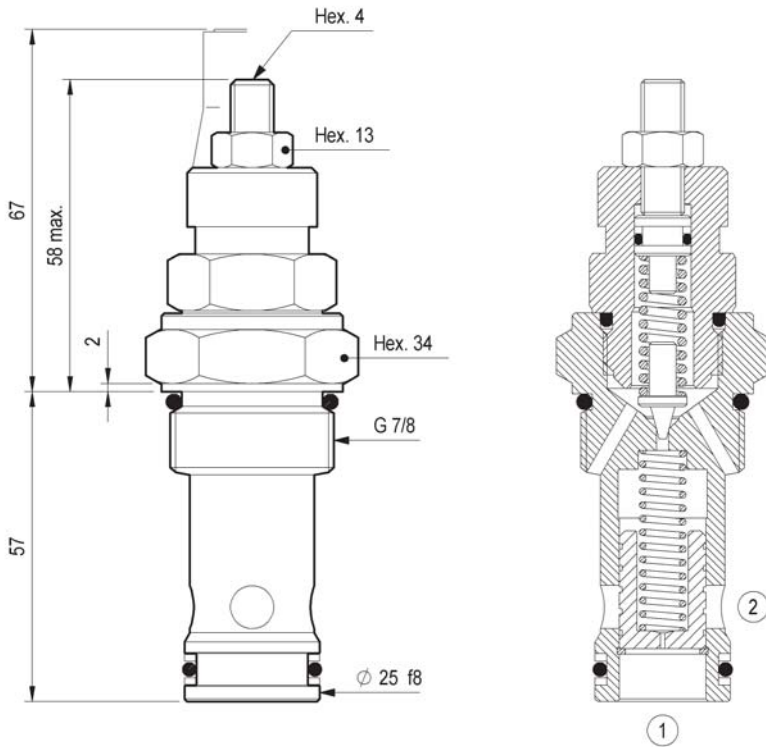


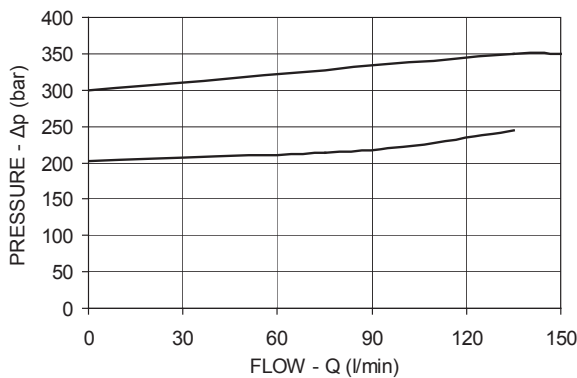
**VSP-180**

**04.12.05 - X - 99 - Z**



**TECHNICAL DATA**

Max. pressure :	420	bar
Max. flow :	150	l/min
Max. leakage : 0.2 l/min at 90% of standard pressure setting.		
Special Cavity (page 10.411) : 033		
Installation torque :	121-132	Nm
Weight :	0.320	kg



**X ADJUSTMENTS**

**03** Leakproof hex. socket screw

**SPRINGS**

<b>Z</b>	<b>SPRINGS</b>				
	Adj.press. range bar	Press.increase bar/turn	Std.setting bar (Q=5 l/min)	Ordering code	Colour
<b>20</b>	80-210	77	220	03.51.01.123	green
<b>35</b>	200-420	225	350	03.51.01.113	yellow

**OPTIONALS**

Ordering code	Description
11.04.23.002	 Tamperproof cap