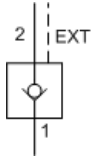


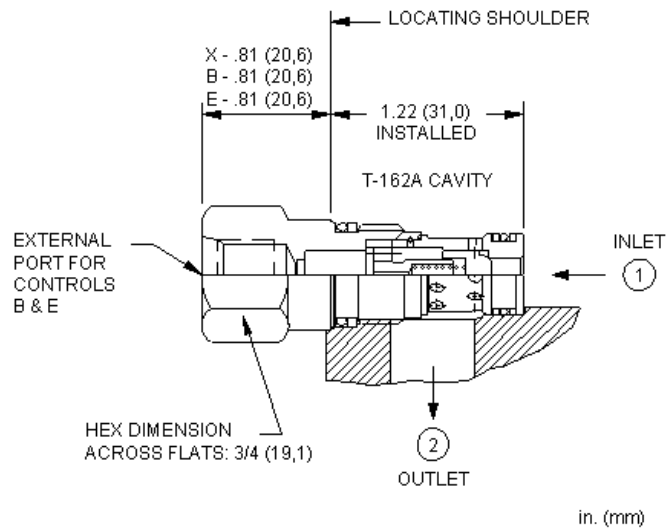
MODEL
CXBB

Free flow nose to side check valve with auxillary external port
CAPACITY: 40 L/min. | CAVITY: T-162A



CONFIGURATION

| | | |
|---------------|-------------------|---------------------------|
| E | Control | External 4- SAE Port |
| A | Cracking Pressure | 4 psi (0,3 bar) |
| N | Seal Material | Buna-N |
| (none) | Material/Coating | Standard Material/Coating |



Free-flow, nose-to-side check valves are on/off circuit components that allow free flow from the inlet (port 1) to the outlet (port 2) and block flow in the opposite direction.

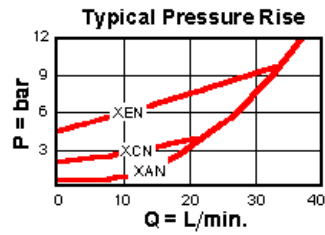
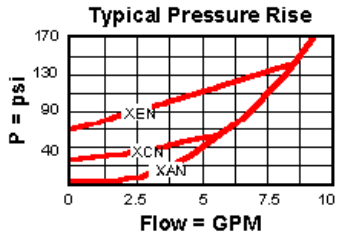
TECHNICAL DATA

| | |
|---|---------------------------|
| Cavity | T-162A |
| Series | 0 |
| Capacity | 40 L/min. |
| Maximum Operating Pressure | 350 bar |
| Maximum Valve Leakage at 110 SUS (24 cSt) | 0,07 cc/min. |
| Valve Hex Size | 19,1 mm |
| Valve Installation Torque | 27 - 34 Nm |
| Seal kit - Cartridge | Buna: 990-162-007 |
| Seal kit - Cartridge | Polyurethane: 990-162-002 |
| Seal kit - Cartridge | Viton: 990-162-006 |
| Model Weight | 0.06 kg. |

TECHNICAL FEATURES

- Two-port check valves share the same cavity for a given frame size, however, pay close attention as flow paths may be in opposite directions.
- Check valves offer extremely low leakage rates with a maximum leakage of less than 1 drop per minute (0,07 cc/min).
- Will accept 5000 psi (350 bar) at ports 1 and 2.
- Incorporates the Sun floating style construction to minimize the possibility of internal parts binding due to excessive installation torque and/or cavity/cartridge machining variations.

PERFORMANCE CURVES



CONFIGURATION OPTIONS

CONTROL

| | | |
|------------------|---|------------------------|
| Standard Options | B | External 1/4 BSPP Port |
| | E | External 4-SAE Port |

CRACKING PRESSURE

| | | |
|------------------|---|-----------------|
| Standard Options | A | 4 psi (0,3 bar) |
| | C | 30 psi (2 bar) |

SEAL MATERIAL

| | | |
|------------------|---|--------|
| Standard Options | N | Buna-N |
| | V | Viton |

MATERIAL/COATING

| | | |
|------------------|-----|-----------------------------|
| Standard Options | | Standard Material/Coating |
| | /AP | Stainless Steel, Passivated |

Copyright © 2002-2014 Sun Hydraulics Corporation. All rights reserved.