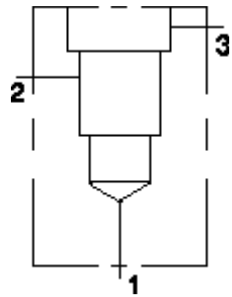


Functional Group:

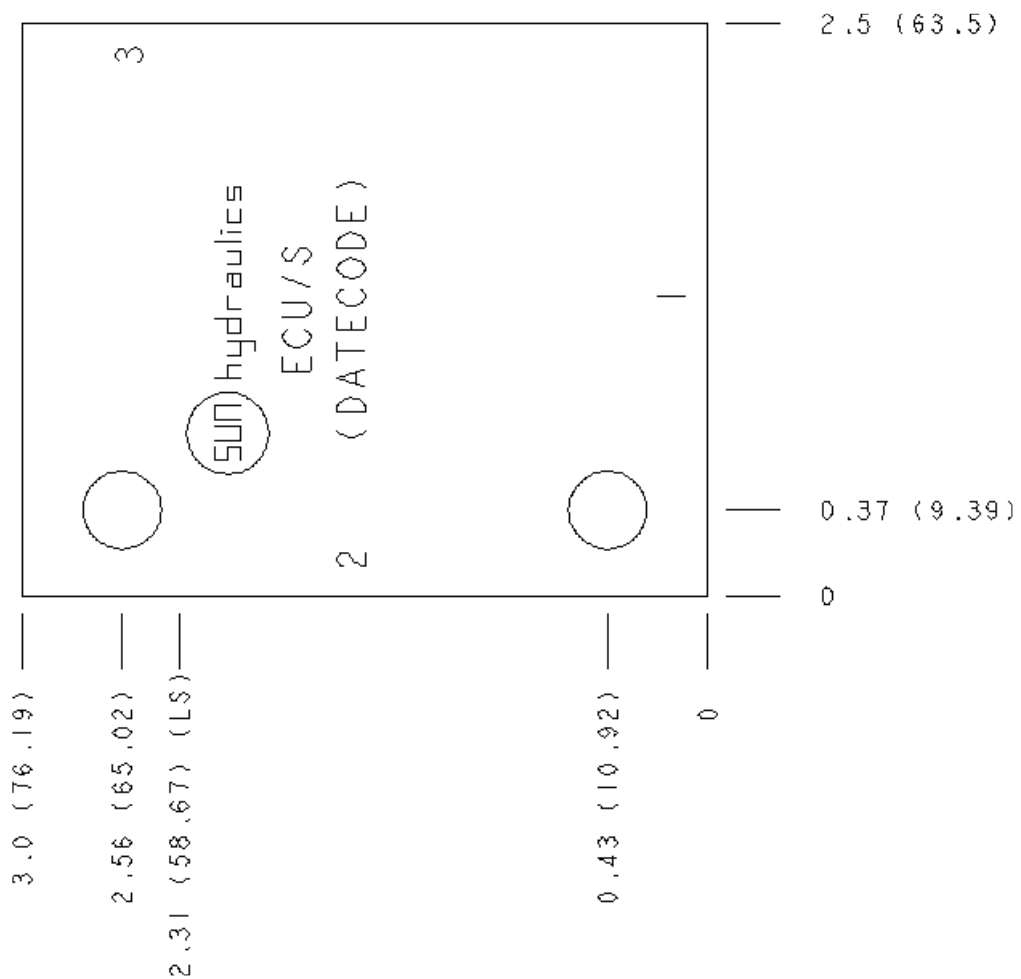
Products : Manifolds : Line Mount : Counterbalance : 3 Port : Ninety Degree

Model:

ECU/S



Face: 6



Port Headings and Sizes

ECU	Ports 1 & 2	3/8" BSPP
ECU	Port 3	1/4" BSPP

Technical Data

	U.S. Units	Metric Units
Cavity		T-11A
Body Features		Ninety degree
Body Type		Line mount
Interface		None
Open Cavity Quantity		1
Mounting Hole Diameter	.34 in.	8.6 mm
Mounting Hole Depth		Through
Mounting Hole Quantity		2
Model Weight	1.92 lb.	0.87 kg.

Option Selection

U.S. Dollar

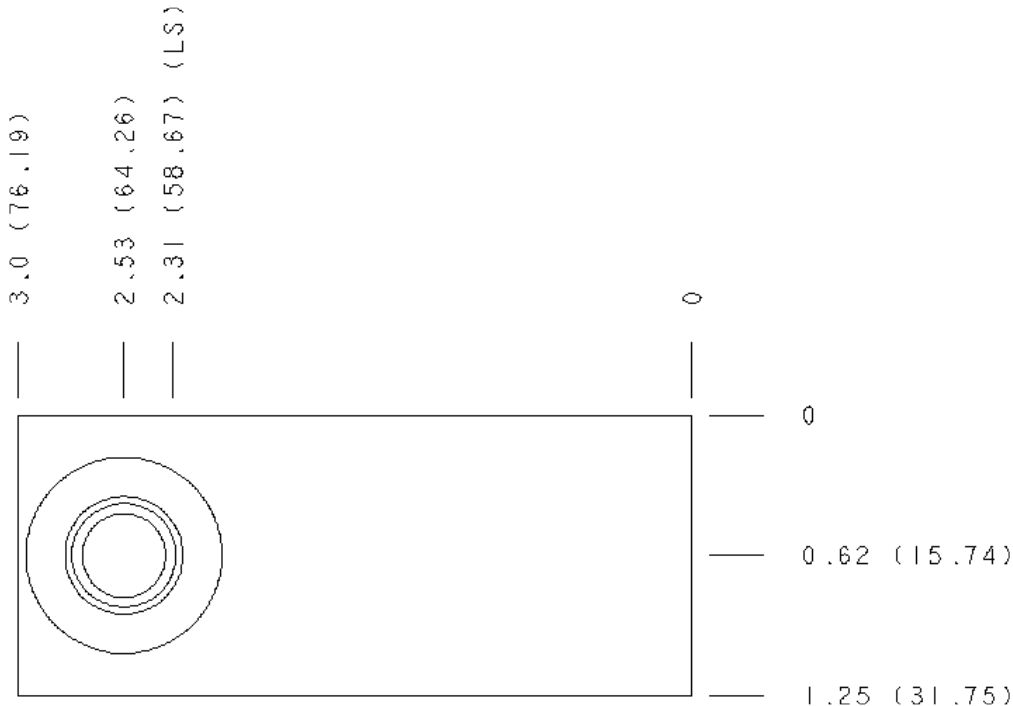
Aluminum Body Pressure Rating: **3000 psi (210 bar)**
 Ductile Iron Body Pressure Rating: **5000 psi (350 bar)**

Model Code	Description
ECU	Aluminum, Buna-N, U.S. Units
ECU/S	Ductile Iron, Buna-N, U.S. Units

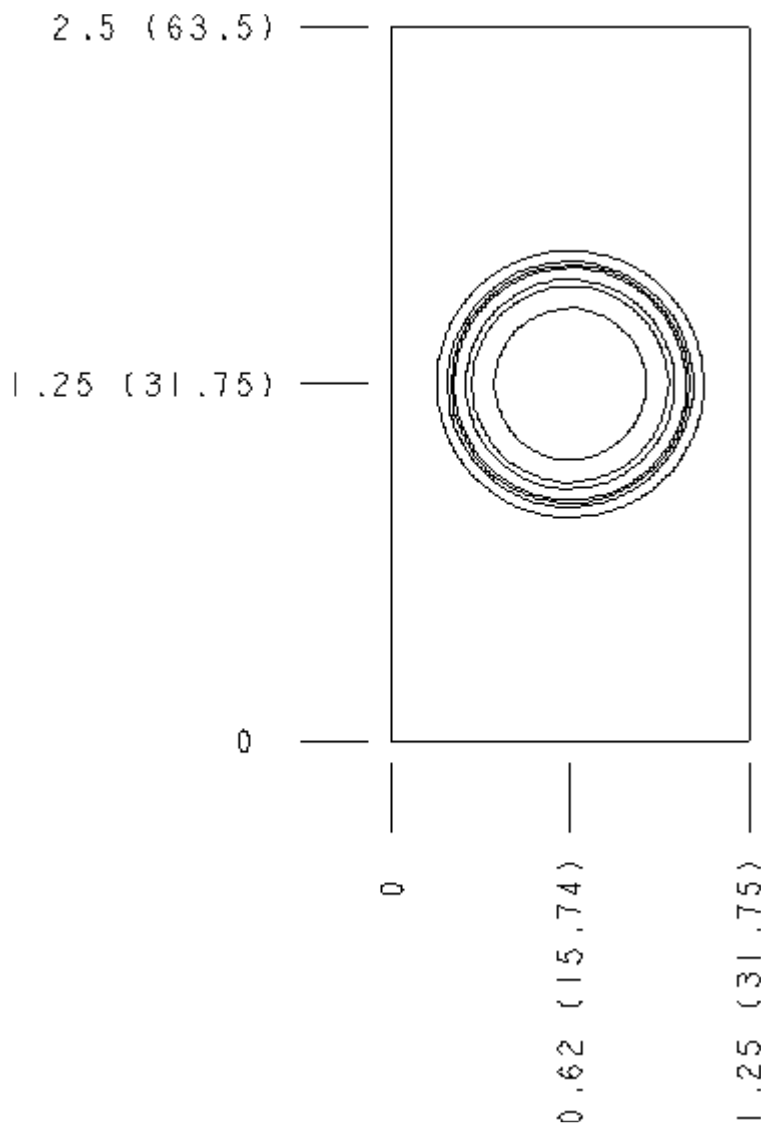
Special Notes

- Pressure ratings are dependent on manifold material. When choosing the material, be sure to consider the maximum system pressure to which the manifold will be exposed.

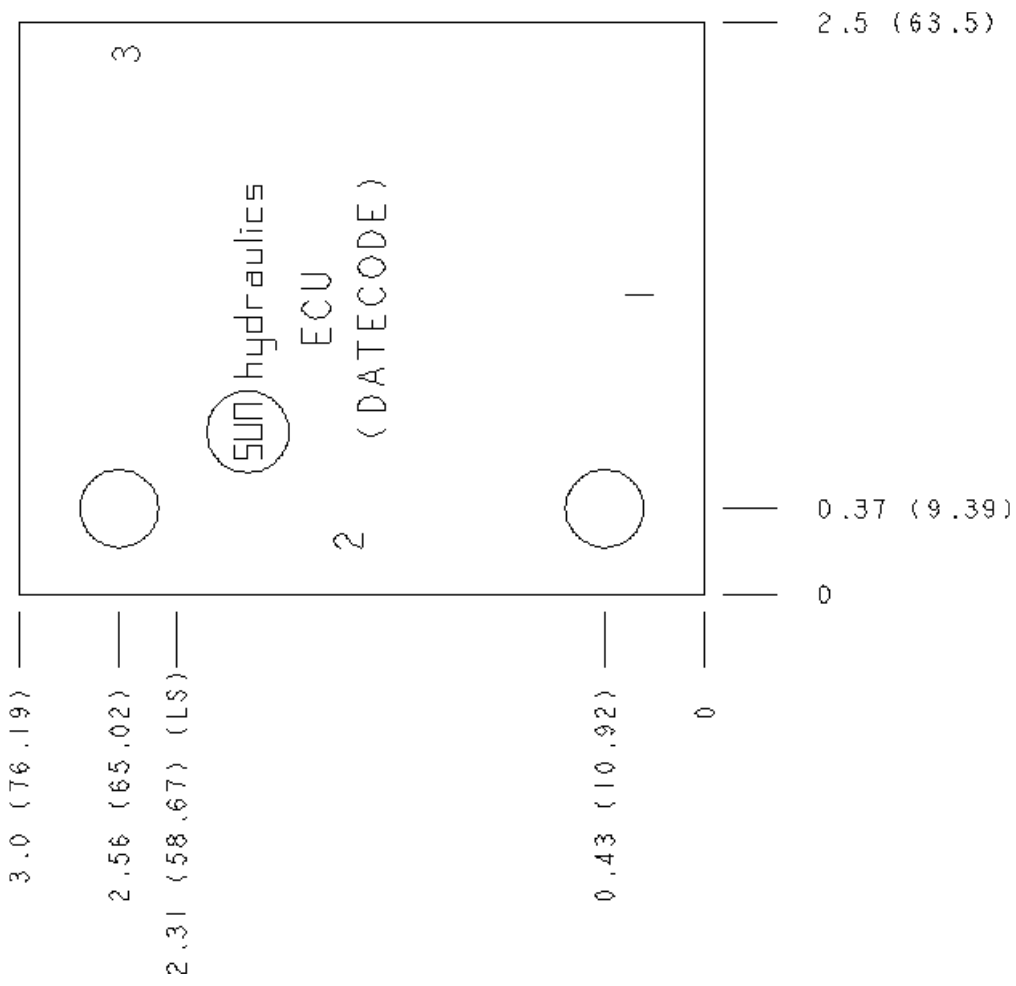
Face 2



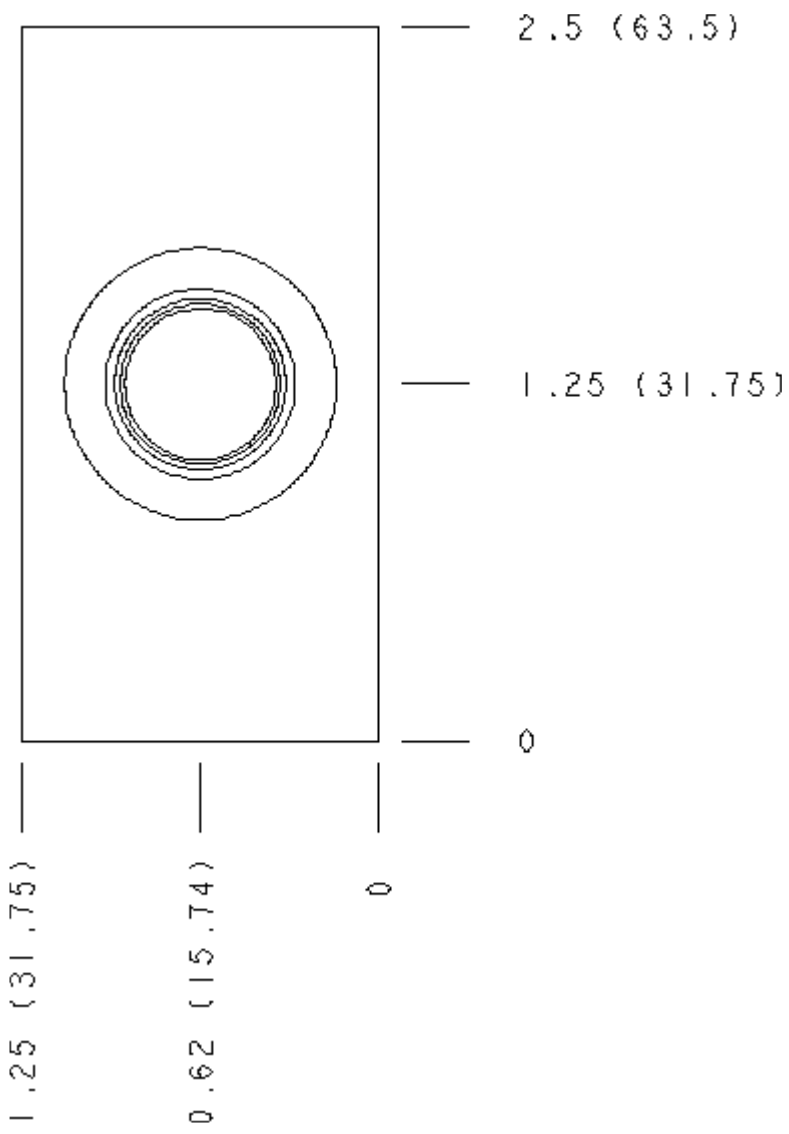
Face 5



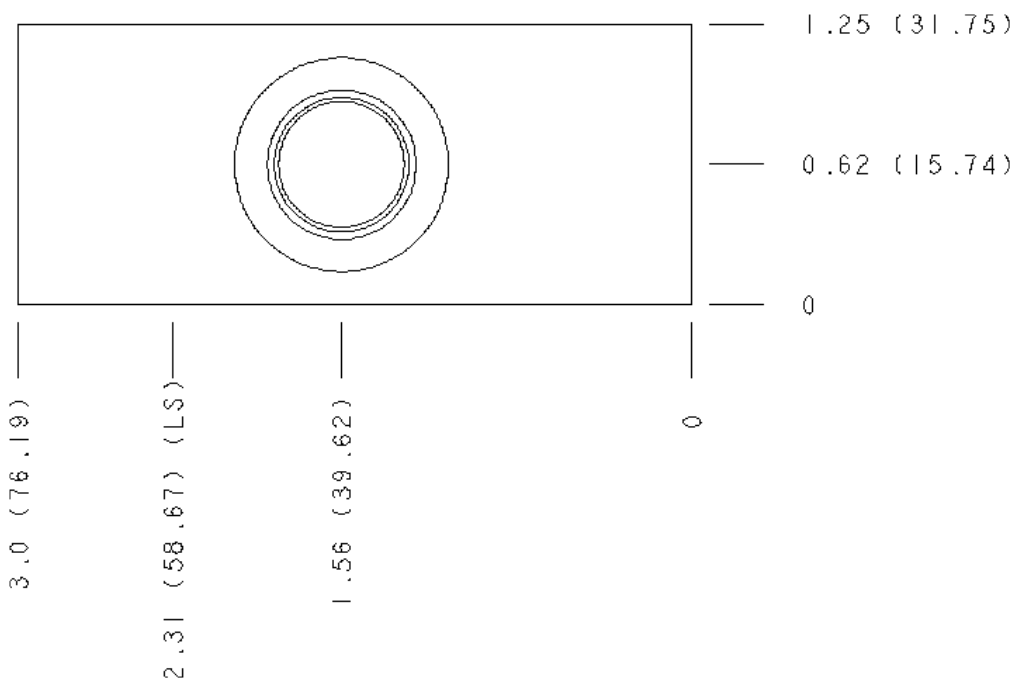
Face 6



Face 7



Face 10



**Copyright © 2002-2011 Sun Hydraulics Corporation. All rights reserved.
Terms and Conditions - ISO Certification - Statement of Privacy**