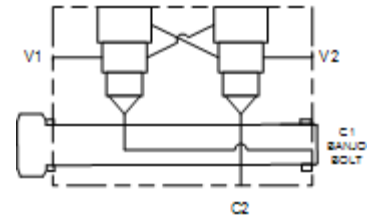


Functional Group:

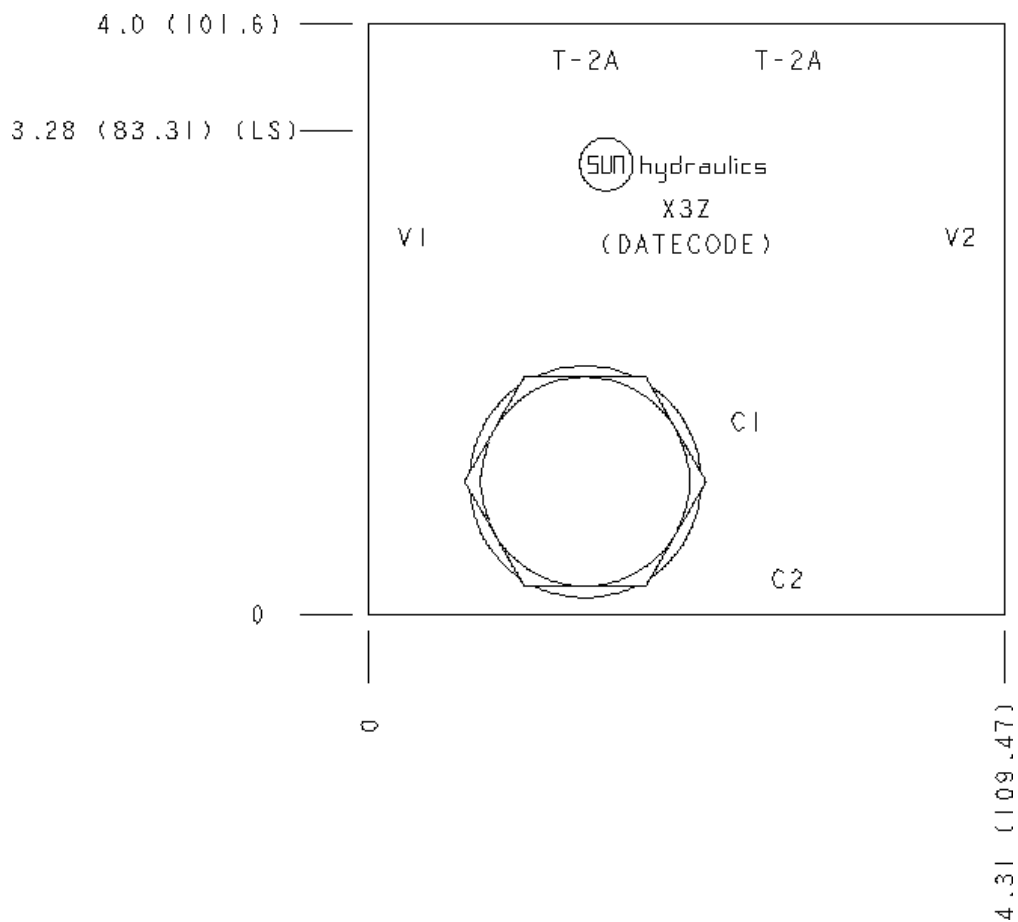
Products : Manifolds : Line Mount : Counterbalance : 3 Port : Banjo Bolt - Cross Pilot

Model:

X3Z



**Face: 6**



**Port Headings and Sizes**

X3Z Ports C1, C2, V1, V2

3/4" BSPP

**Technical Data**

	U.S. Units	Metric Units
Cavity		T-2A
Banjo Bolt Hex		1.42
Banjo Bolt Installation Torque	170 lb. ft. to 185 lb. ft. (230 Nm to 250 Nm)	
Body Features		Cross pilot
Body Type		Line mount
Interface		Banjo Bolt
Open Cavity Quantity		2
Model Weight	2.54 lb.	1.15 kg.

### Option Selection

U.S. Dollar

Aluminum Body Pressure Rating: **3000 psi (210 bar)**  
 Ductile Iron Body Pressure Rating: **5000 psi (350 bar)**

Model Code	Description
X3Z	Aluminum, Buna-N, U.S. Units
X3Z/S	Ductile Iron, Buna-N, U.S. Units

### Display Components

Part	Description	Quantity
330-073-004	Connector	1
505-012-004	O-Ring	1

### Special Notes

- Important:** Please carefully consider the maximum system pressure to which the manifold will be exposed. The pressure rating of the manifold is dependent on the manifold material, with the port type and sizing a secondary consideration. For example, manifolds constructed of aluminum are not rated for system pressures higher than 3000 psi (210 bar), regardless of the port type and size specified.