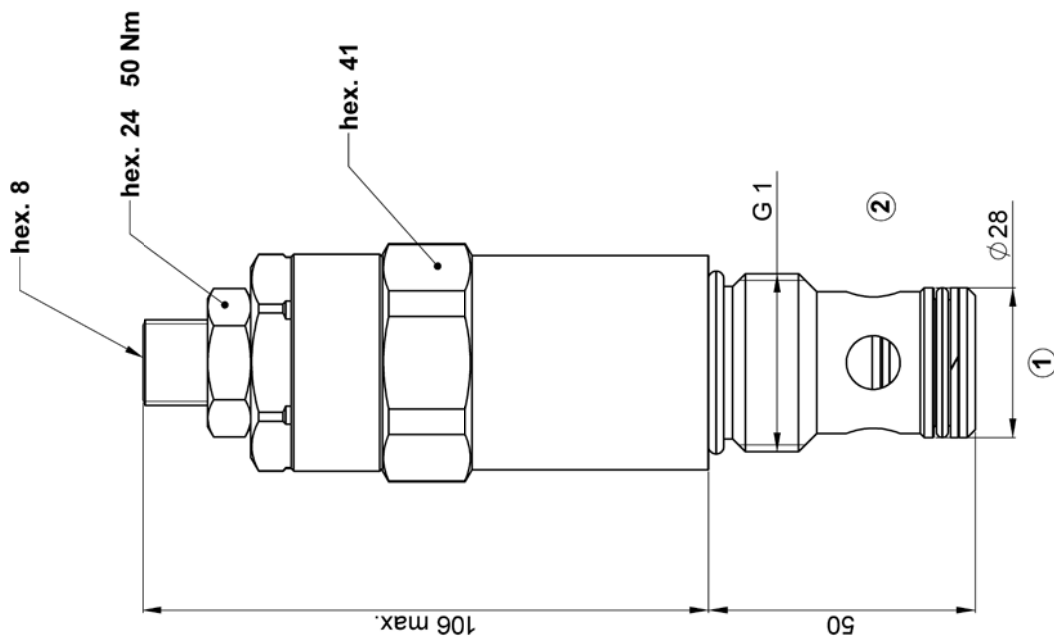


## Technical data:

|                         |  |
|-------------------------|--|
| Max.operating pressure  | 350 bar  |
| Max.flow                | 240 l/min  |
| Max.internal leakage    | 4 cm <sup>3</sup> /min (*)   |
| Fluid temperature range | -30/+100 °C  |
| Installation torque     | 208-234 Nm   |
| Weight                  | 1.00 kg  |
| Cavity                  | 003 (special)  |
| Seal kit                | RG0003020520100 (**)<br>R930001695   |
| Fluids                  | Mineral based or synthetics with lubricating properties at viscosities of 10 to 500 mm <sup>2</sup> /s (cSt) |
| Filtration              | Nominal value max. 10 µm (NAS 8)<br>ISO 4406 19/17/14  |

(\*) At 80% of pressure setting

(\*\*) Only external seals for ten valves



| Z  | Adj.press. range bar | Press.increase bar/turn | Springs                          |  |
|----|----------------------|-------------------------|----------------------------------|--|
|    |                      |                         | Standard setting (bar) Q=5 l/min |  |
| 10 | 35-100               | 18                      | 100                              |  |
| 20 | 70-210               | 36                      | 200                              |  |
| 35 | 120-350              | 62                      | 350                              |  |

Denominazione / Denomination

**VSD-250**

Specifiche

Massa / Mass (kg) -  
Richiesta / Request UT11950

Tipo cavità / Cavity type 003  
A3

Disegno di proprietà BOSCH-REXROTH OIL CONTROL S.p.A. Tutelato ai sensi di legge. È vietata la riproduzione e la diffusione non autorizzata.  
This drawing is a property of BOSCH-REXROTH OIL CONTROL S.p.A. Legally protected. Any unauthorized reproduction and distribution is strictly prohibited.

Ciliente e codice articolo / Customer and article code

Num. schema idraulico / Hydraulic scheme no. bs\_0010

Studio di riferimento / Reference study  
Disegnato / Designed by Moretti  
Verificato / Checked by Tagliazuochi

Modifiche / Changes

Sostituisce il / Replaces  
Codice / Code 20/12/12  
Scala / Scale 1:1

Direttorio del file Cad / Cad file directory  
K:\Design\Cad 3D\ingombri\0415039299Z

**Rexroth**  
**Bosch Group**

Bosch Rexroth Oil Control S.p.A.

Ufficio Tecnico / Technical/Dep. DC-MA/ECC1

Gerarchia Prodotto / Product Hierarchy 871117601

Kit guarniz. / Seal kit RG0003020520100

Modifiche / Changes

Sostituisce il / Replaces

Codice / Code 0415039299Z

Material number