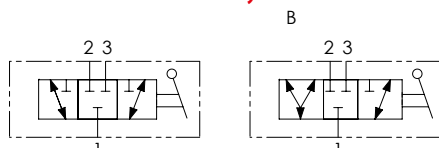


Schema idraulico - Hydraulic circuit



Codice ordinazione  
Ordering code

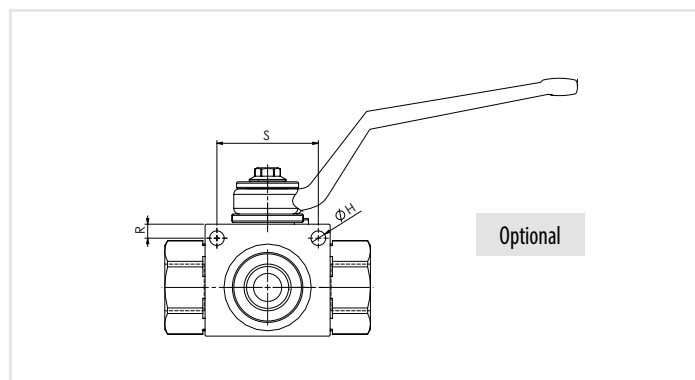
01	02	03
<b>XRAS3</b>		

<b>01</b>	Valvole a sfera a 3 vie (3 ways ball valves)	<b>XRAS3</b>
<b>02</b>	Dimensione (Size)	BSPP 1/4
		BSPP 3/8
		BSPP 1/2
		BSPP 3/4
		BSPP 1
<b>03</b>	Optional	Fori di fissaggio (Fixing ports)

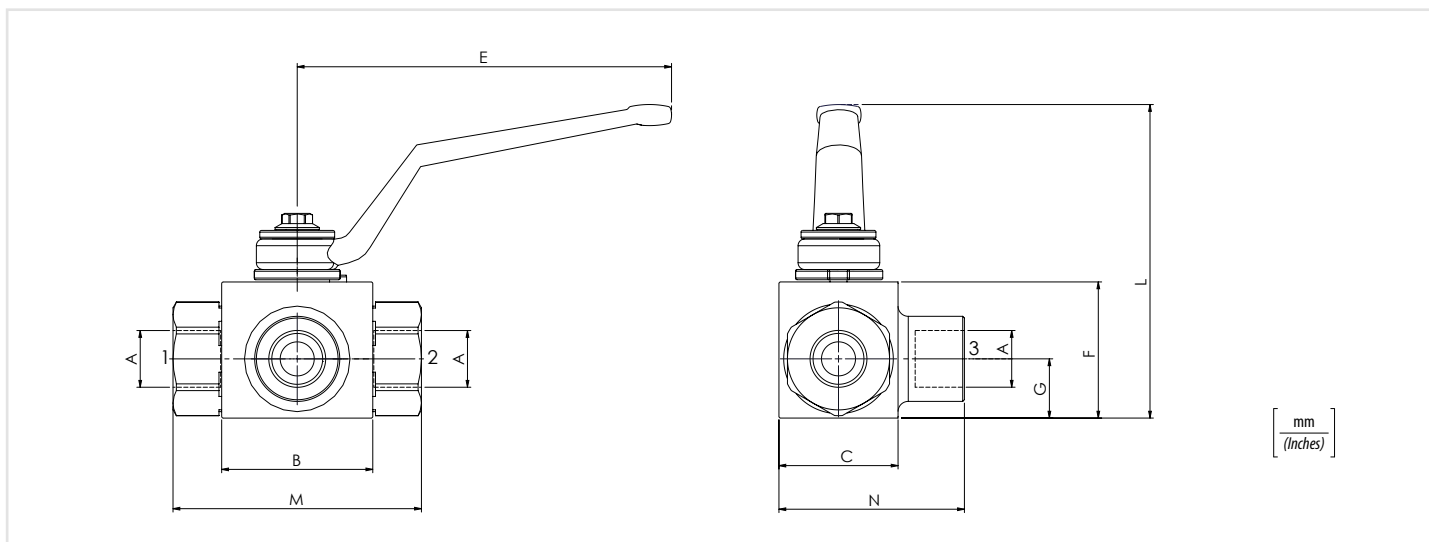
Dati tecnici - Technical data

Particolare / Component

Particolare / Component	Materiale / Material
Corpo / Body	1.4404 (AISI 316L)
Adattatori / Adapter	1.4404 (AISI 316L)
Sfera / Ball	1.4404 (AISI 316L)
Vite regolatrice / Stern	1.4404 (AISI 316L)
Battuta sfera / Ball seat	POM
Leva / Handle	1.4301 (AISI 304)
Fermo inferiore / Lower washer	1.4301 (AISI 304)
Fermo Superiore / Upper washer	1.4301 (AISI 304)
Anello vite / Stern ring	POM
Spina / Spine	1.4301 (AISI 304)
Anello seeger / Component	1.4301 (AISI 304)
O-ring adattatori / Adapter o-ring	NBR
O-ring vite / Stern o-ring	NBR
Vite / Screw	DIN 6921 A2



Optional



mm  
(Inches)

Caratteristiche tecniche - Technical characteristics

Tipo Type	A	Portata max Max flow l/min-USgpm	Pressione max Max pressure bar/PSI	B	C	E	F	G	H	L	M	N	R	S	Peso approssimativo Approx weight kg/lb
<b>XRAS3140</b>	<b>BSPP 1/4</b>	<b>25 (6.6)</b>	<b>400 (5800)</b>	<b>42,4 (1.67)</b>	<b>30 (1.18)</b>	<b>110 (4.33)</b>	<b>35 (1.38)</b>	<b>14,5 (0.57)</b>	<b>5,2 (0.20)</b>	<b>91,5 (3.60)</b>	<b>71 (2.80)</b>	<b>48,5 (1.91)</b>	<b>4,5 (0.18)</b>	<b>34 (1.34)</b>	<b>0,6 (1.3)</b>
<b>XRAS3380</b>	<b>BSPP 3/8</b>	<b>35 (9.2)</b>		<b>44,4 (1.75)</b>	<b>35 (1.38)</b>		<b>40 (1.57)</b>	<b>17,5 (0.69)</b>		<b>96,5 (3.80)</b>	<b>73 (2.87)</b>	<b>54,5 (2.15)</b>	<b>5 (0.20)</b>	<b>36 (1.42)</b>	<b>0,7 (1.5)</b>
<b>XRAS3120</b>	<b>BSPP 1/2</b>	<b>60 (15.8)</b>	<b>350 (5075)</b>	<b>48,4 (1.91)</b>	<b>37 (1.46)</b>	<b>180 (7.09)</b>	<b>43 (1.69)</b>	<b>18 (0.71)</b>	<b>6,2 (0.24)</b>	<b>99,5 (3.92)</b>	<b>83 (3.27)</b>	<b>58,5 (2.30)</b>	<b>6 (0.24)</b>	<b>50 (1.97)</b>	<b>0,8 (1.8)</b>
<b>XRAS3340</b>	<b>BSPP 3/4</b>	<b>100 (26.4)</b>		<b>62,5 (2.46)</b>	<b>45 (1.77)</b>		<b>55 (2.16)</b>	<b>23,5 (0.93)</b>		<b>106,5 (4.19)</b>	<b>95 (3.74)</b>	<b>75 (2.95)</b>			<b>1,6 (3.5)</b>
<b>XRAS3100</b>	<b>BSPP 1</b>	<b>150 (89.6)</b>		<b>66,5 (2.62)</b>	<b>55 (2.17)</b>		<b>65 (2.56)</b>	<b>29,5 (1.16)</b>		<b>116,5 (4.59)</b>	<b>112 (4.41)</b>	<b>87,5 (3.44)</b>			<b>2,4 (5.3)</b>