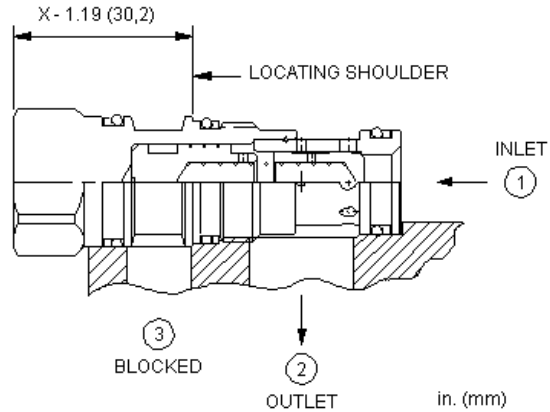
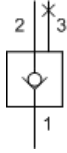


MODEL
CXDC

Free flow nose to side check valve with port 3 blocked
CAPACITY: 80 L/min. | CAVITY: T-11A



CONFIGURATION

| | | |
|---------------|-------------------|---------------------------|
| X | Control | Not Adjustable |
| C | Cracking Pressure | 30 psi (2 bar) |
| N | Seal Material | Buna-N |
| (none) | Material/Coating | Standard Material/Coating |

Free-flow, nose-to-side cheater check valves function as a standard 2-port check valve in a 3-port cavity with port 3 of the cartridge blocked off. These valves are useful in circuits where a check valve is required in an existing three port cavity.

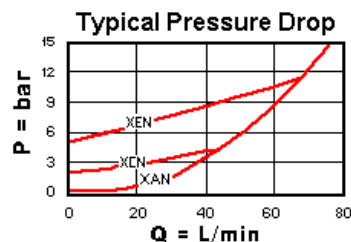
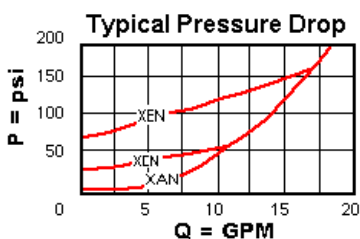
TECHNICAL DATA

| | |
|---|---------------------------|
| Cavity | T-11A |
| Series | 1 |
| Capacity | 80 L/min. |
| Maximum Operating Pressure | 350 bar |
| Maximum Valve Leakage at 110 SUS (24 cSt) | 0,07 cc/min. |
| Valve Hex Size | 22,2 mm |
| Valve Installation Torque | 41 - 47 Nm |
| Seal kit - Cartridge | Buna: 990-011-007 |
| Seal kit - Cartridge | Polyurethane: 990-011-002 |
| Seal kit - Cartridge | Viton: 990-011-006 |
| Model Weight | 0.13 kg. |

TECHNICAL FEATURES

- Check valves offer extremely low leakage rates with a maximum leakage of less than 1 drop per minute (0,07 cc/min).
- Incorporates the Sun floating style construction to minimize the possibility of internal parts binding due to excessive installation torque and/or cavity/cartridge machining variations.

PERFORMANCE CURVES



CONFIGURATION OPTIONS

CONTROL

| | | |
|-------------------------|----------|----------------|
| Standard Options | X | Not Adjustable |
|-------------------------|----------|----------------|

CRACKING PRESSURE

| | | |
|-------------------------|----------|------------------|
| | A | 4 psi (0,3 bar) |
| | B | 15 psi (1 bar) |
| | C | 30 psi (2 bar) |
| Standard Options | D | 50 psi (3,5 bar) |
| | E | 75 psi (5 bar) |
| | F | 100 psi (7 bar) |
| | Z | 1 psi (0,07 bar) |

SEAL MATERIAL

| | | |
|-------------------------|----------|--------|
| Standard Options | N | Buna-N |
| | V | Viton |

MATERIAL/COATING

| | | |
|-------------------------|------------|-----------------------------|
| | | Standard Material/Coating |
| Standard Options | /AP | Stainless Steel, Passivated |
| | /LH | Mild Steel, Zinc-Nickel |

Copyright © 2002-2014 Sun Hydraulics Corporation. All rights reserved.