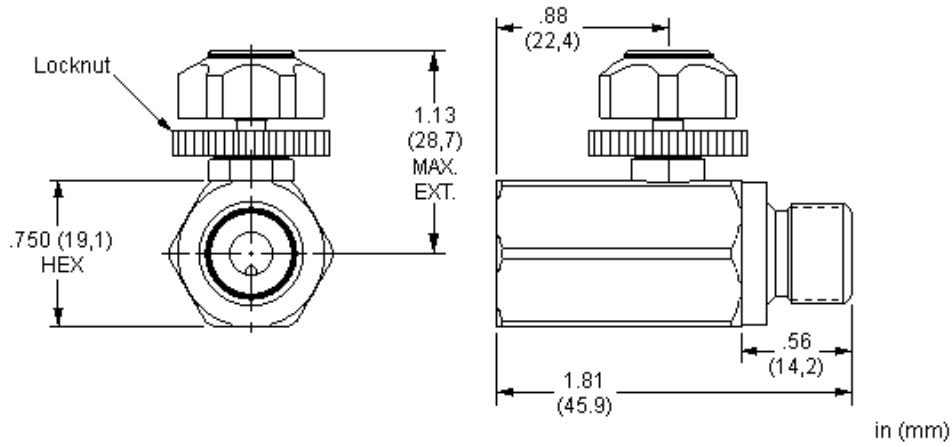


Model: NSAB-KXV-BT
Adjustable gauge snubber, male 1/4 BSPP to adjustable female 1/4 BSPP

Components

Part	Description	Quantity
B325-042	Sub-assembly	1
550-007	Insert	1
125-142	Hex Body	1

Technical Data

	U.S. Units	Metric Units
Adjustment - Number of Counterclockwise Turns - Fully Closed to Fully Open		3.75
Effective Orifice Size	.035 in.	0,9 mm
Material	Stainless Steel	
Maximum Operating Pressure	6000 psi	420 bar
Port Configuration	.250 BSPP (Male), .250 BSPP (Female)	
Seal Material	Viton	

Used On
Special Notes

- No Special Notes Available for selected model.