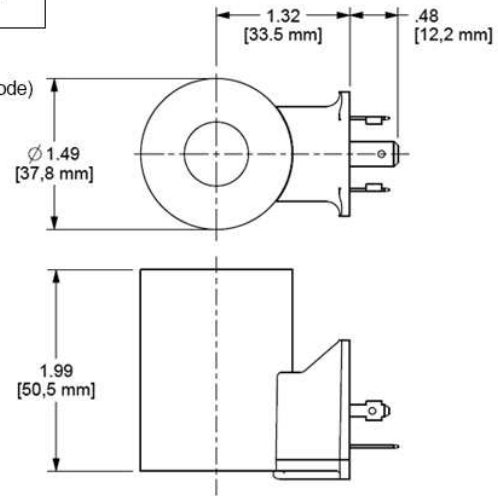


DC COIL
(without TVS Diode)



TECHNICAL DATA

Operating Temperature Range	-30 to 110 °C
Arc Suppression (TVS)	None
Power Consumption (cold) - at rated voltage	25 Watts
Maximum Ambient Temperature	50 °C
Voltage/Frequency	12 VDC
Operating Voltage Range	+10%/-15%
Duty Cycle Rating	100 %
Connector	ISO4400 - EN/DIN175301-803, Form A (ISO/DIN 43650) 3-pin
Coil Nut Torque	0,5 Nm

USED WITH

DAAF	DBAF	DFBF	DFBG	DLDF	DTAF	DTBF	DTDF	DWDF	FPBF
FPBG	FPBI	FPBJ	FPBU	991711300	991711600	991712300	991712600	991713030	991713060
991740001	XMD-01	XMD-02							