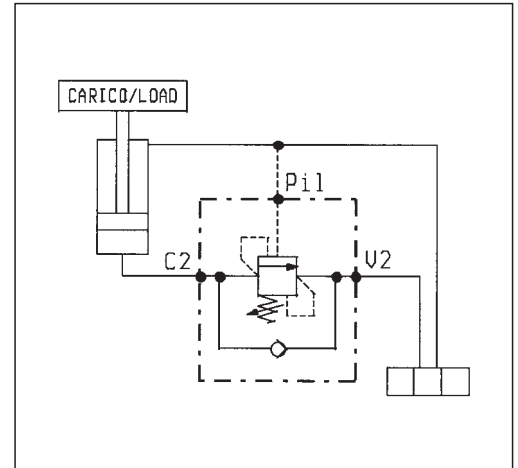
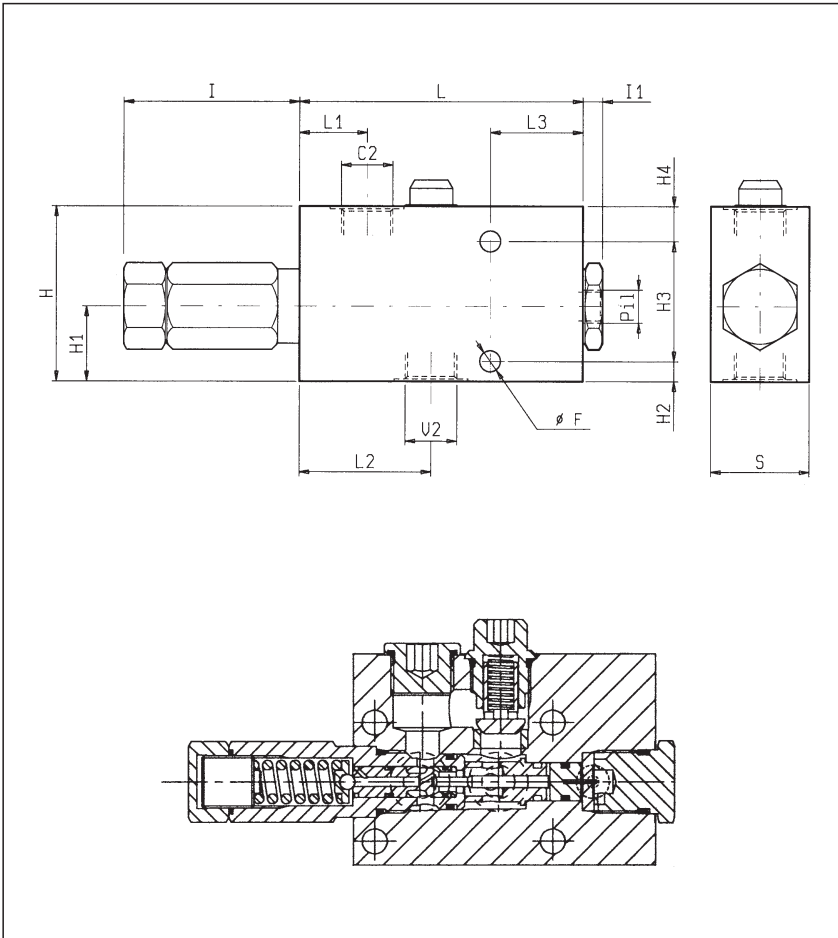




**BILANCIAMENTO, SEMPLICE EFFETTO, SERIE "NA"**  
**PILOT ASSISTED, SERIES "NA" OVERCENTRE**

**VBSO-SE-NA**

**05.41.62 - X - Y - Z**



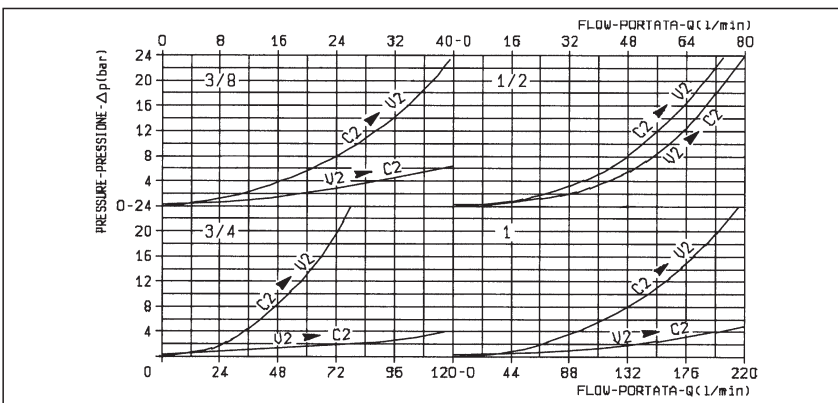
**DATI TECNICI / TECHNICAL DATA**

Pressione max. 350 bar  
 Max. pressure

Portata max. vedi diagramma  
 Flow see performance graph

Taratura della valvola: almeno 1.3 volte superiore alla pressione indotta dal carico  
 Pressure setting: at least 1.3 times the load induced pressure

50	40.5	77	35	160	92.5	35	55	10	35	100	10.5					1	3.25
40	42.5	62	29	127.5	71.5	30	50	10	35	90	10.5					3/4	1.755
40	37.5	53.5	27.5	115	71.5	14	48	8	30	70	8.5					1/2	1.39
35	27.5	48.5	27.5	100	61	17	40	8	26.5	65	8.5					3/8	0.98
<b>S</b>	<b>L3</b>	<b>L2</b>	<b>L1</b>	<b>L</b>	<b>I</b>	<b>H4</b>	<b>H3</b>	<b>H2</b>	<b>H1</b>	<b>H</b>	<b>F</b>					<b>Y</b>	<b>Peso kg Weight kg</b>



<b>X</b>	<b>RAPPORTO DI PILOTAGGIO PILOT RATIO</b>
<b>03</b>	1/2 - 7.6 : 1 3/4 - 7.6 : 1 1 - 8 : 1
<b>10</b>	3/8 - 3.6 : 1 1/2 - 3 : 1 3/4 - 3 : 1 1 - 2.8 : 1

<b>Z</b>	<b>MOLLE / SPRINGS</b>					
	Campo taratura min - max bar Adj. press. range bar	Incremento press. bar / giro vite Press. increase bar / turn	Taratura standard bar (Q = 5 l/min) Std. setting bar (Q = 5 l/min)	Cod. ordinazione Ordering code	Colore Colour	
3/8	20	60-210	60	200	03.51.01.075	verde green
	35	100-350	100	350	03.51.01.059	giallo yellow
1/2	20	60-210	68	200	03.51.01.152	verde green
3/4	35	100-350	105	350	03.51.01.142	giallo yellow
1	20	60-210	36	200	03.51.01.067	verde green
	35	100-350	62	350	03.51.01.057	giallo yellow

<b>Y</b>	<b>ATTACCHI / PORT SIZE</b>	
	<b>V2-C2</b>	<b>PIL</b>
<b>02</b>	G 3/8	G 1/4
<b>03</b>	G 1/2	G 1/4
<b>04</b>	G 3/4	G 1/4
<b>05</b>	G 1	G 1/4