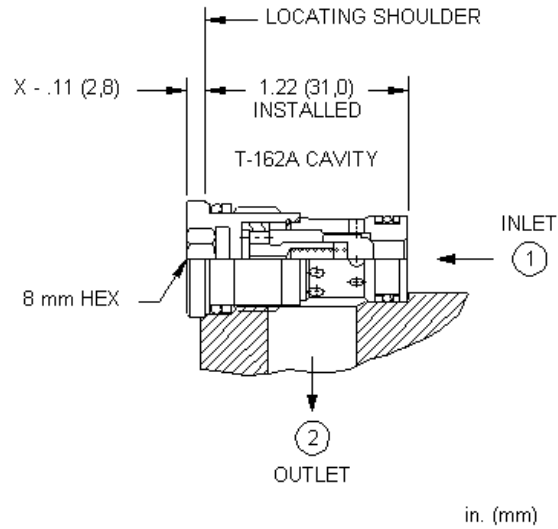


MODEL
CXBG

Flush mount, free flow nose to side check valve
CAPACITY: 40 L/min. | CAVITY: T-162A



CONFIGURATION

X	Control	Not Adjustable
A	Cracking Pressure	4 psi (0,3 bar)
N	Seal Material	Buna-N
(none)	Material/Coating	Standard Material/Coating

Free-flow, nose-to-side check valves are on/off circuit components that allow free flow from the inlet (port 1) to the outlet (port 2) and block flow in the opposite direction.

TECHNICAL DATA

Cavity	T-162A
Series	0
Capacity	40 L/min.
Maximum Operating Pressure	350 bar
Maximum Valve Leakage at 110 SUS (24 cSt)	0,07 cc/min.
Valve Internal Hex Size	8 mm
Valve Installation Torque	27 - 34 Nm
Seal kit - Cartridge	Buna: 990-162-007
Seal kit - Cartridge	Polyurethane: 990-162-002
Seal kit - Cartridge	Viton: 990-162-006
Model Weight	0.03 kg.

TECHNICAL FEATURES

- Flush mount valves provide a small footprint. They can easily be mounted flush with the surface of the manifold.
- Two-port check valves share the same cavity for a given frame size, however, pay close attention as flow paths may be in opposite directions.
- Check valves offer extremely low leakage rates with a maximum leakage of less than 1 drop per minute (0,07 cc/min).
- Will accept 5000 psi (350 bar) at ports 1 and 2.
- Incorporates the Sun floating style construction to minimize the possibility of internal parts binding due to excessive installation torque and/or cavity/cartridge machining variations.

PERFORMANCE CURVES



CONFIGURATION OPTIONS

CONTROL

Standard Options	X	Not Adjustable
-------------------------	----------	----------------

CRACKING PRESSURE

	A	4 psi (0,3 bar)
Standard Options	B	15 psi (1 bar)
	C	30 psi (2 bar)

SEAL MATERIAL

Standard Options	N	Buna-N
	V	Viton

MATERIAL/COATING

		Standard Material/Coating
Standard Options	/AP	Stainless Steel, Passivated
	/LH	Mild Steel, Zinc-Nickel

Copyright © 2002-2014 Sun Hydraulics Corporation. All rights reserved.