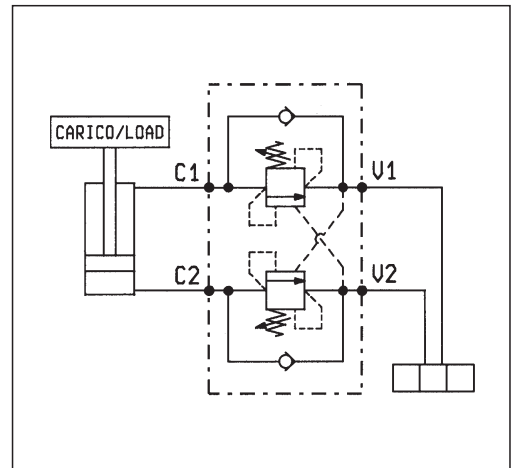
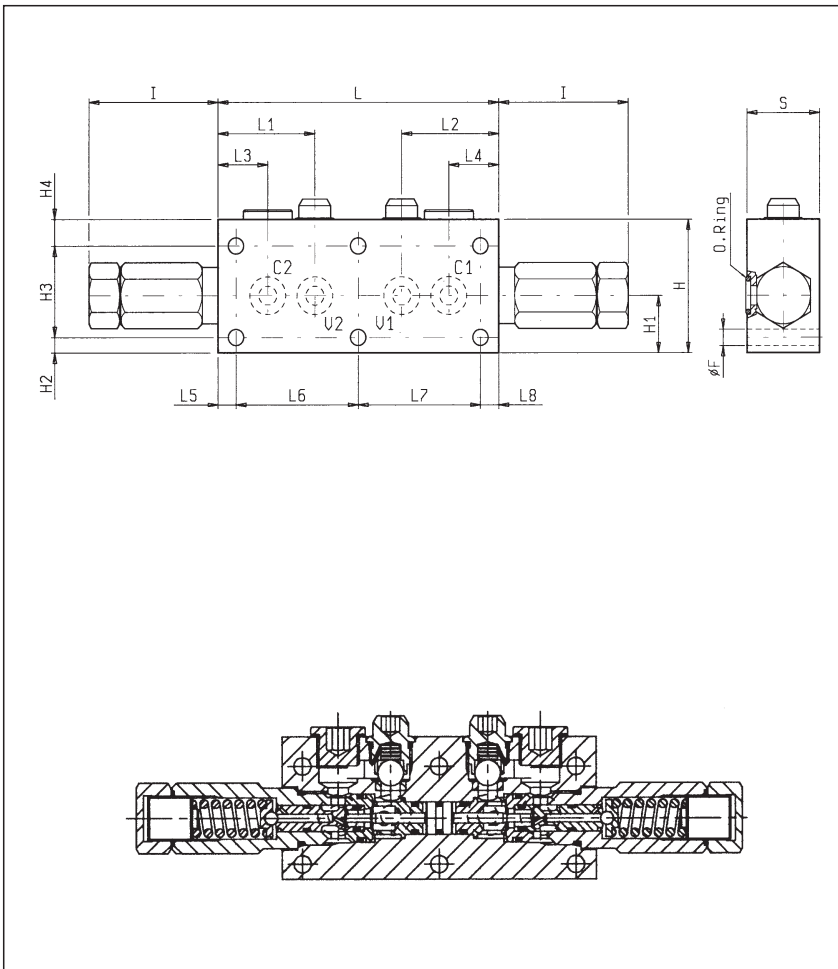




VBSO-DE-NA-FC

05.42.27 - X - Y - Z



DATI TECNICI / TECHNICAL DATA

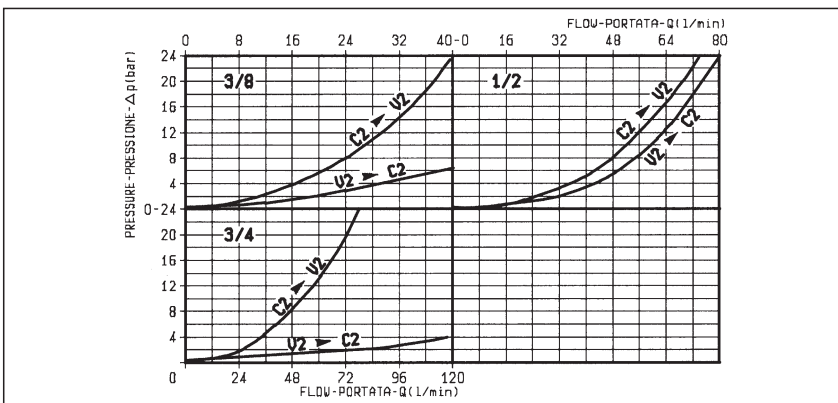
Pressione max. 350 bar
 Max. pressure

Portata max. vedi diagramma
 Flow see performance graph

Taratura della valvola: almeno 1.3 volte superiore alla pressione indotta dal carico
 Pressure setting: at least 1.3 times the load induced pressure

Cappello per piombatura Codice/Ordering code
 Sealing Cap 03.05.01.001

39	10	80	80	10	29	29	62	62	180	69	30	50	10	35	90	10.5	24.99x3.53	Ø14	6.9
39	10	67.5	67.5	10	27.5	27.5	53.5	53.5	155	71.5	14.5	48	7.5	31.5	70	8.5	15.34x2.62	Ø10	6.9
34	9	63.5	63.5	9	25.5	25.5	50	50	145	61.5	17.5	40	7.5	26.5	65	8.5	15.34x2.62	Ø8	6.9
S	L8	L7	L6	L5	L4	L3	L2	L1	L	I	H4	H3	H2	H1	H	F	O ring	Y	Peso kg / Weight kg



X	RAPPORTO DI PILOTAGGIO PILOT RATIO
03	Ø 10 - 7.6 : 1 Ø 14 - 7.6 : 1
10	Ø 8 - 3.6 : 1 Ø 10 - 3 : 1 Ø 14 - 3 : 1

Z	MOLLE / SPRINGS				
	Campo taratura min - max bar Adj. press. range bar	Incremento press. bar / giro vite Press. increase bar / turn	Taratura standard bar (Q = 5 l/min) Std. setting bar (Q = 5 l/min)	Cod. ordinazione Ordering code	Colore Colour
3/8	20	60-210	60	200	03.51.01.075 verde green
	35	100-350	100	350	03.51.01.059 giallo yellow
1/2	20	60-210	68	200	03.51.01.152 verde green
	35	100-350	105	350	03.51.01.142 giallo yellow

Y	ATTACCHI / PORT SIZE
	V1-V2-C1-C2
02	Ø 8 (3/8)
03	Ø 10 (1/2)
04	Ø 14 (3/4)