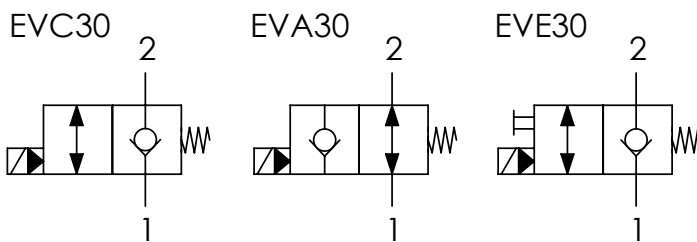




|                                     |           |    |    |
|-------------------------------------|-----------|----|----|
| Codice ordinazione<br>Ordering code | 01        | 02 | 03 |
|                                     | <b>EV</b> |    |    |

|    |                                                                                                                             |                                                                   |
|----|-----------------------------------------------------------------------------------------------------------------------------|-------------------------------------------------------------------|
| 01 | Valvole a comando elettrico SAE10 2 vie/2 posizioni pilotata<br>(2 ways/2 positions SAE10 electric valves - pilot operated) | <b>EV</b>                                                         |
| 02 | Schema (Circuit)                                                                                                            | Normalmente chiusa (Normally closed) <b>C30</b>                   |
|    |                                                                                                                             | Normalmente chiusa + emerg. (Normally closed + emerg.) <b>E30</b> |
|    |                                                                                                                             | Normalmente aperta (Normally open) <b>A30</b>                     |
| 03 | Bobina (Coil) 22 W                                                                                                          | Senza bobina (Without coil) /                                     |
|    |                                                                                                                             | 12 V (DC) <b>012DC</b>                                            |
|    |                                                                                                                             | 24 V (DC) <b>024DC</b>                                            |
|    |                                                                                                                             | 220 V (RAC) <b>220RAC</b>                                         |

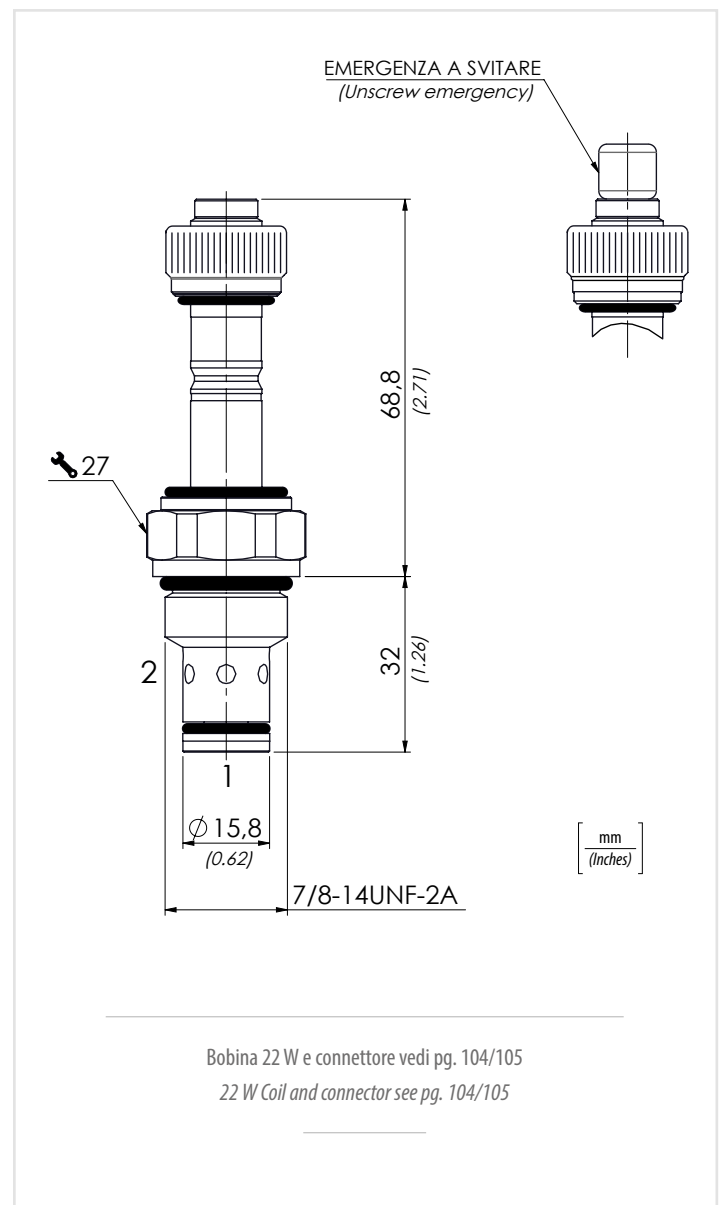
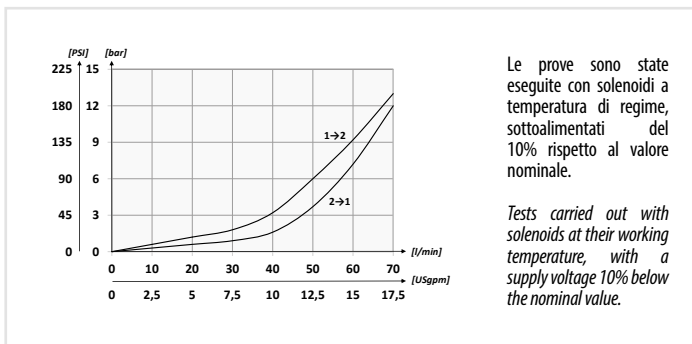
### Schema idraulico - Hydraulic circuit



### Dati tecnici - Technical data

|                                                                                                                                                                                           |                                                                                     |              |
|-------------------------------------------------------------------------------------------------------------------------------------------------------------------------------------------|-------------------------------------------------------------------------------------|--------------|
| olio idraulico/Mineral oil                                                                                                                                                                | ISO 6743/4 (DIN 51524)                                                              |              |
| Viscosità olio/Oil viscosity                                                                                                                                                              | 15-250 mm <sup>2</sup> /s (15 to 250 cSt)                                           |              |
| Classe di contaminazione max con filtro<br>Max contamination index with filter                                                                                                            | ISO 4406:1999 Classe 19/17/14                                                       |              |
| Temperatura dell'olio/Oil temperature                                                                                                                                                     | -20°C +80°C                                                                         | -4°F + 176°F |
| Temperatura ambiente/Ambient temperature                                                                                                                                                  | -20°C +50°C                                                                         | -4°F + 122°F |
| Trafilamento massimo<br>Max leakage                                                                                                                                                       | 0,25 cm <sup>3</sup> /min - 5 gocce/min<br>0,015 in <sup>3</sup> /min - 5 drops/min |              |
| <b>È indispensabile l'utilizzo di un filtro per proteggere la valvola (filtrazione consigliata 15 µm)</b><br>It is necessary a filter use to protect the valve (advised filtration 15 µm) |                                                                                     |              |

### Performances



### Caratteristiche tecniche - Technical characteristics

| Tipo<br>Type | A                   | Portata max (l/min)<br>Max flow (USgpm) | Pressione max (bar)<br>Max pressure (PSI) | Peso approssimativo<br>Approx weight | Coppia di serraggio<br>Tightening torque<br>Nm/lbf ft | Cavità<br>Cavity |
|--------------|---------------------|-----------------------------------------|-------------------------------------------|--------------------------------------|-------------------------------------------------------|------------------|
| <b>EV30</b>  | <b>7/8-14UNF-2A</b> | <b>70 (18.5)</b>                        | <b>350 (5075)</b>                         | <b>0,19 (0.40)</b>                   | <b>40 (30)</b>                                        | <b>SAE 10/2</b>  |