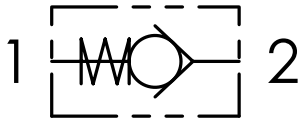


Schema idraulico - Hydraulic circuit



Codice ordinazione  
Ordering code

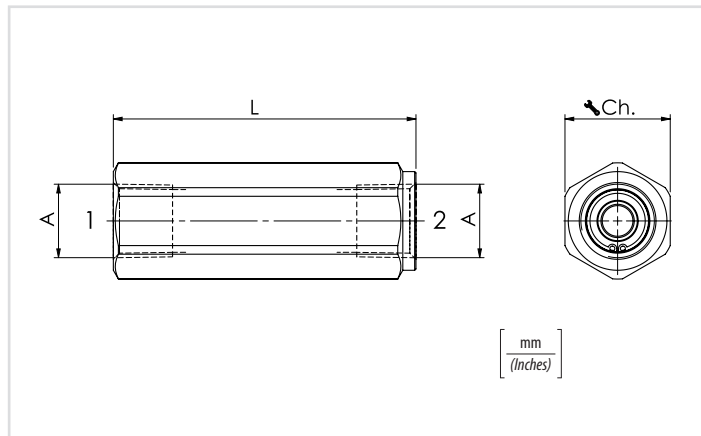
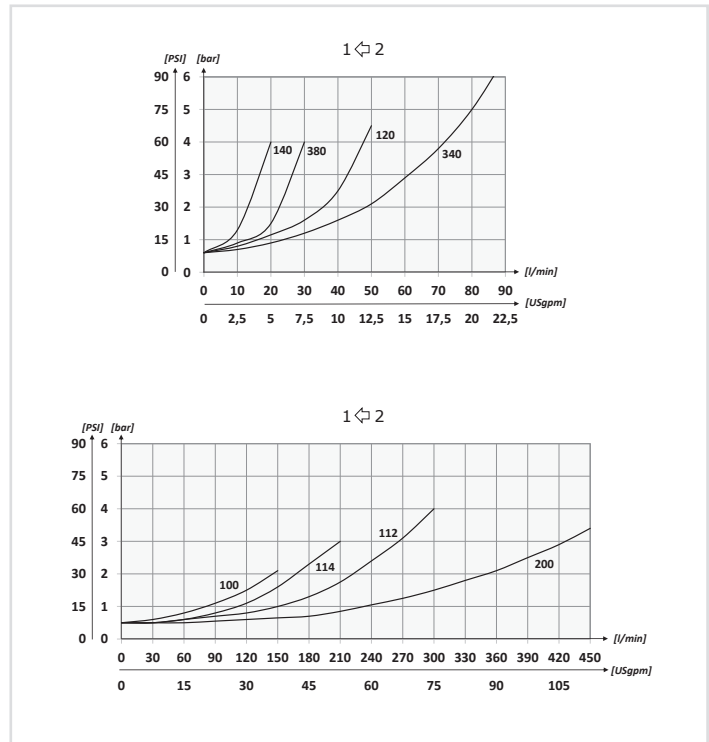
01	02	03	04	05
<b>YVUR</b>		<b>N</b>	<b>SP</b>	

<b>01</b>	Valvole unidirezionali a colonnetta F/F, solo corpo in acciaio inox (F/F check housing valves, only stainless steel body)		<b>YVUR</b>
<b>02</b>	Dimensione (Size)	1/4 NPTF	<b>140</b>
		3/8 NPTF	<b>380</b>
		1/2 NPTF	<b>120</b>
		1 NPTF	<b>100</b>
		1-1/4 NPTF	<b>114</b>
		1-1/2 NPTF	<b>112</b>
		2 NPTF	<b>200</b>
<b>03</b>	Filettatura (Thread)	NPTF	<b>N</b>
<b>04</b>	Tenuta (Sealing)	Tenuta a cono (Poppet sealing)	<b>SP</b>
<b>05</b>	Molla (Spring)	<b>0,5 bar</b> Standard (7.25 PSI)	<b>0,5</b>
		<b>3 bar</b> (43.5 PSI)	<b>3</b>
		<b>4,5 bar</b> (65.25 PSI)	<b>4,5</b>
		<b>6 bar</b> (87 PSI)	<b>6</b>

Dati tecnici - Technical data

Particolare / Component	Materiale / Material
Corpo / Body	1.4404 (AISI 316L)
Molla / Spring	1.0116 (OTEVA 70)
Otturatore / Poppet	1.5715 (Ng 2)
Spingimolla / Spring Spacer	1.0737 (AVPb)

Performances



Caratteristiche tecniche - Technical characteristics

Tipo Type	A	Portata Max (l/min) Max flow (USgpm)	Pressione max (bar) Max Pressure (PSI)	L	Ch.	Peso approssimativo (kg) Approx weight (lb)
<b>YVUR140N</b>	1/4 NPTF	5 (1.3)	<b>400 (5800)</b>	<b>58 (2.28)</b>	<b>19</b>	<b>0,10 (0.22)</b>
<b>YVUR380N</b>	3/8 NPTF	15 (4)		<b>69 (2.72)</b>	<b>24</b>	<b>0,18 (0.40)</b>
<b>YVUR120N</b>	1/2 NPTF	30 (7.9)		<b>75 (2.95)</b>	<b>27</b>	<b>0,23 (0.50)</b>
<b>XVUR340N</b>	3/4 NPTF	90 (23.8)		<b>88,5 (3.48)</b>	<b>35</b>	<b>0,45 (1)</b>
<b>YVUR100N</b>	1 NPTF	150 (39.6)	<b>350 (5075)</b>	<b>110 (4.33)</b>	<b>41</b>	<b>0,75 (1.7)</b>
<b>YVUR114N</b>	1-1/4 NPTF	200 (52.8)		<b>120 (4.72)</b>	<b>55</b>	<b>1,5 (3.3)</b>
<b>YVUR112N</b>	1-1/2 NPTF	300 (79.2)		<b>138 (5.43)</b>	<b>60</b>	<b>2,6 (5.7)</b>
<b>YVUR200N</b>	2 NPTF	430 (113.5)		<b>75</b>	<b>3 (6.60)</b>	