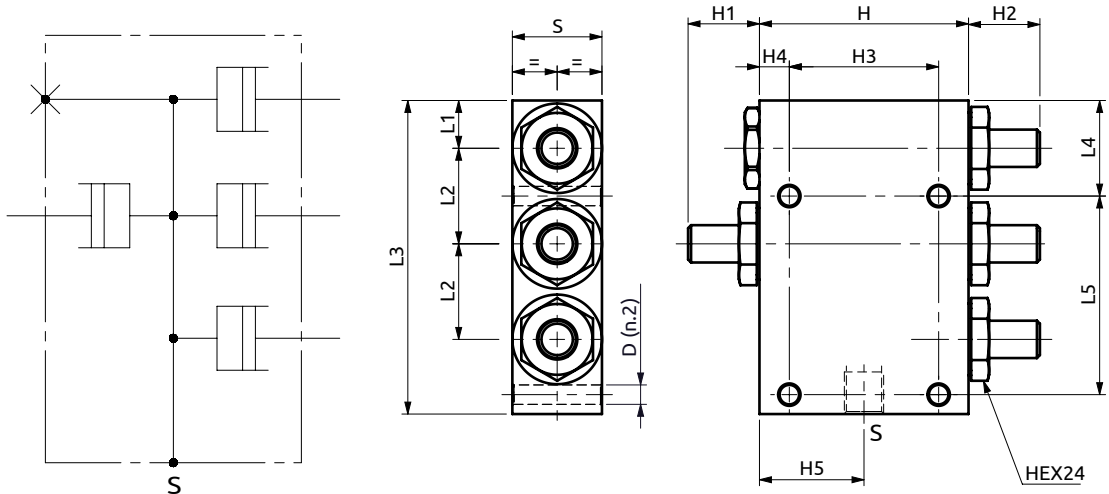


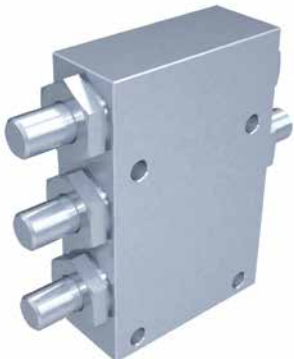


Blocco integrato con pistoni Integrated block with kick out pistons



Corpo in alluminio / Aluminium body

| | | | | | | | | | | | | | |
|---------------|----|----|-----|----|------|----|----|----|----|----|----|----|------|
| A600014.11.00 | 20 | 40 | 125 | 40 | 78 | 30 | 70 | 24 | 24 | 50 | 10 | 35 | Ø6.5 |
| A600014.10.00 | 16 | 32 | 105 | 32 | 66.5 | 30 | 70 | 24 | 24 | 50 | 10 | 35 | Ø6.5 |
| COD. | L1 | L2 | L3 | L4 | L5 | S | H | H1 | H2 | H3 | H4 | H5 | D |



DESCRIZIONE

Blocco integrato con pistoncini comandati idraulicamente per bloccare le leve del distributore.

DESCRIPTION

Integrated block with kick out pistons to lock the levers of directional valve.

| Codice Ordinazione | Interasse tra le Leve | Pressione Max | Dimensione Porte | Peso |
|--------------------|-----------------------------|---------------|------------------|--------|
| Ordering Code | Distance between the levers | Max Pressure | Port Size | Weight |
| A600014.10.00 | 32 mm | 350 bar | 1/4"G | 0.8 kg |
| A600014.11.00 | 40 mm | | 1/4"G | 1.0 kg |