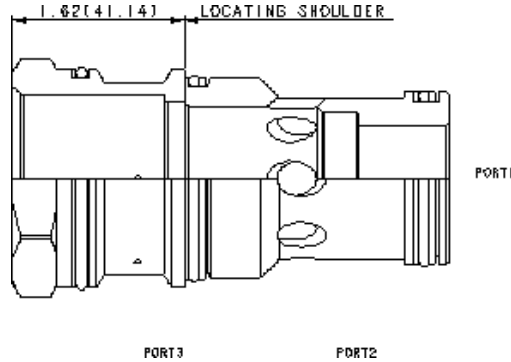


Model: XJOC-GXN
T-19A cavity to T-17A cavity converter

When installed in a Sun T-19A cavity, converts to a Sun T-17A cavity.



Technical Data

	U.S. Units	Metric Units
Cavity		T-19A
Maximum Operating Pressure	3000 psi	210 bar
Series (from Cavity)		Series 4
Valve Hex Size	1.97 in.	50 mm
Valve Installation Torque	350 - 375 lbf ft	475 - 500 Nm
Seal Kits - Cartridge		Buna: 990-019-007
Seal Kits - Cartridge		Viton: 990-019-006

Control

G T-17A Cavity

Adjustment Range

X -

Seal Material

N Buna-N