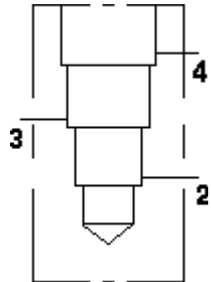


Functional Group:

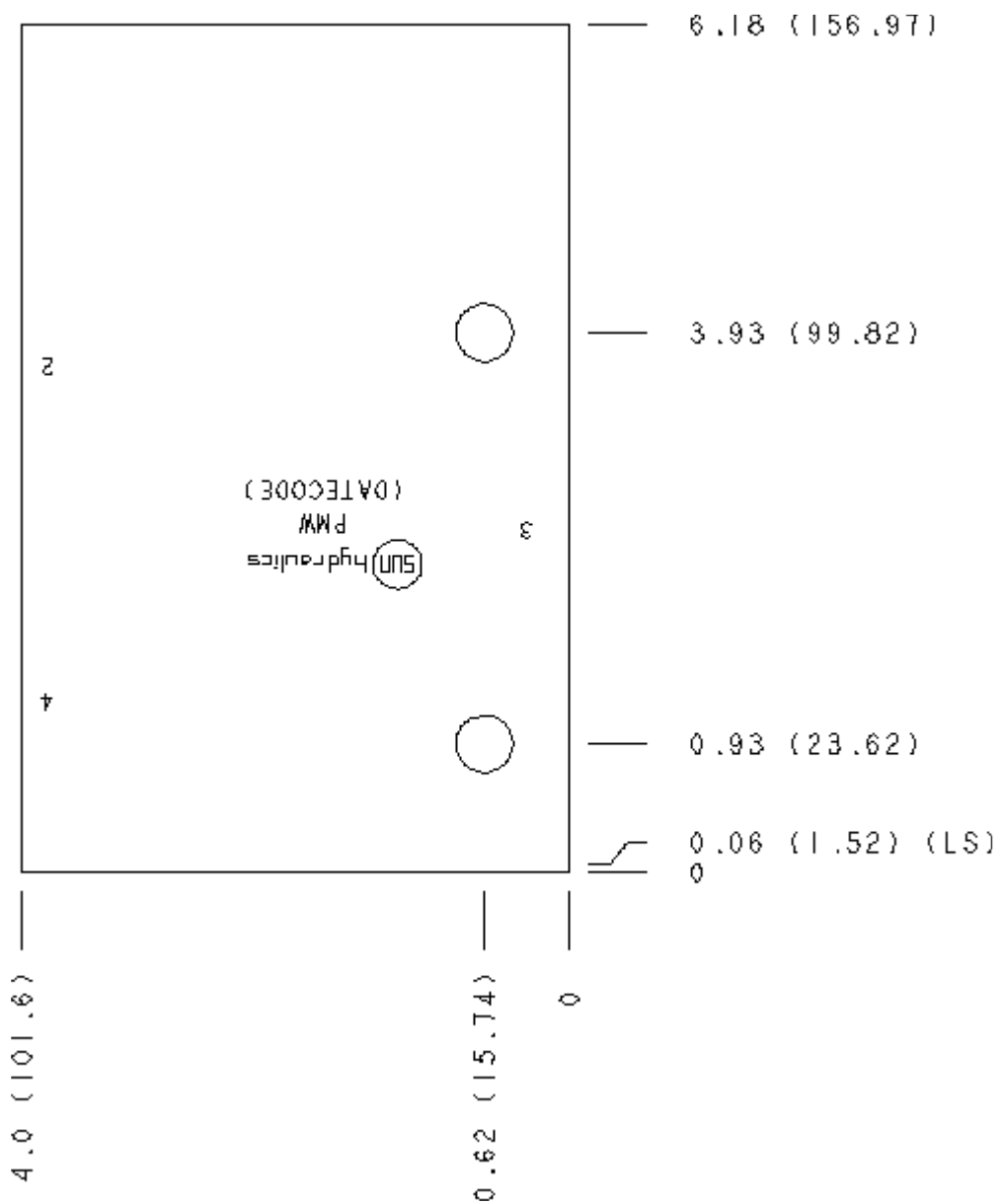
Products : Manifolds : Line Mount : Flow Divider : 4 Port : Ninety degree, 3 ports

Model:

PMW



Face: 7



Port Headings and SizesPMW All Ports 3/4" BSPP

Technical Data

	U.S. Units	Metric Units
Cavity		T-33A
Body Features		Ninety degree, 3 ports
Body Type		Line mount
Interface		None
Open Cavity Quantity		1
Mounting Hole Diameter	.42 in.	10,7 mm
Mounting Hole Depth		Through
Mounting Hole Quantity		2
Model Weight	4.44 lb.	2.01 kg.

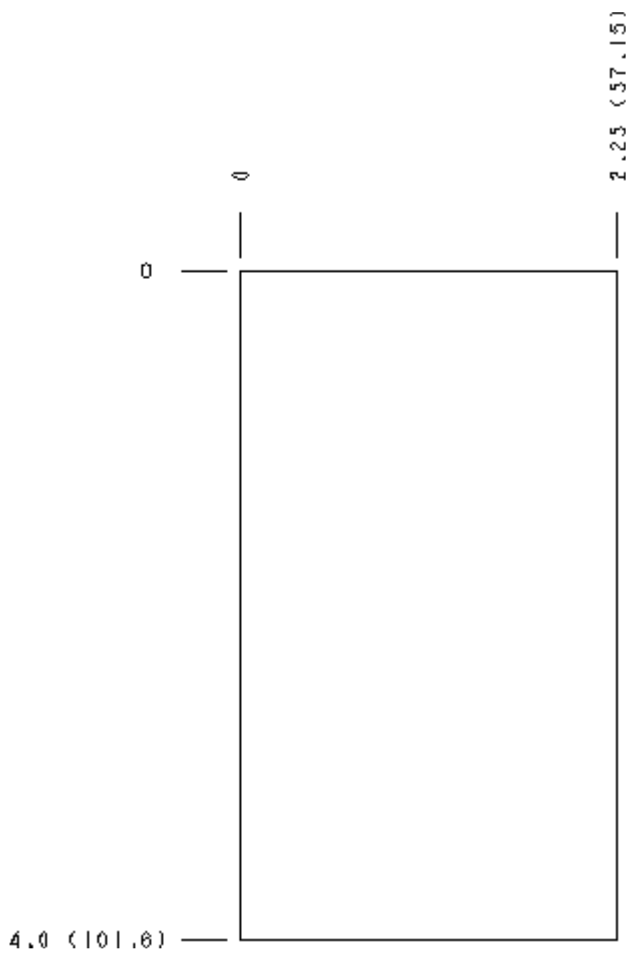
Option SelectionU.S. Dollar Aluminum Body Pressure Rating: **3000 psi (210 bar)**
Ductile Iron Body Pressure Rating: **5000 psi (350 bar)**

Model Code	Description
PMW	Aluminum, Buna-N, U.S. Units
PMW/S	Ductile Iron, Buna-N, U.S. Units

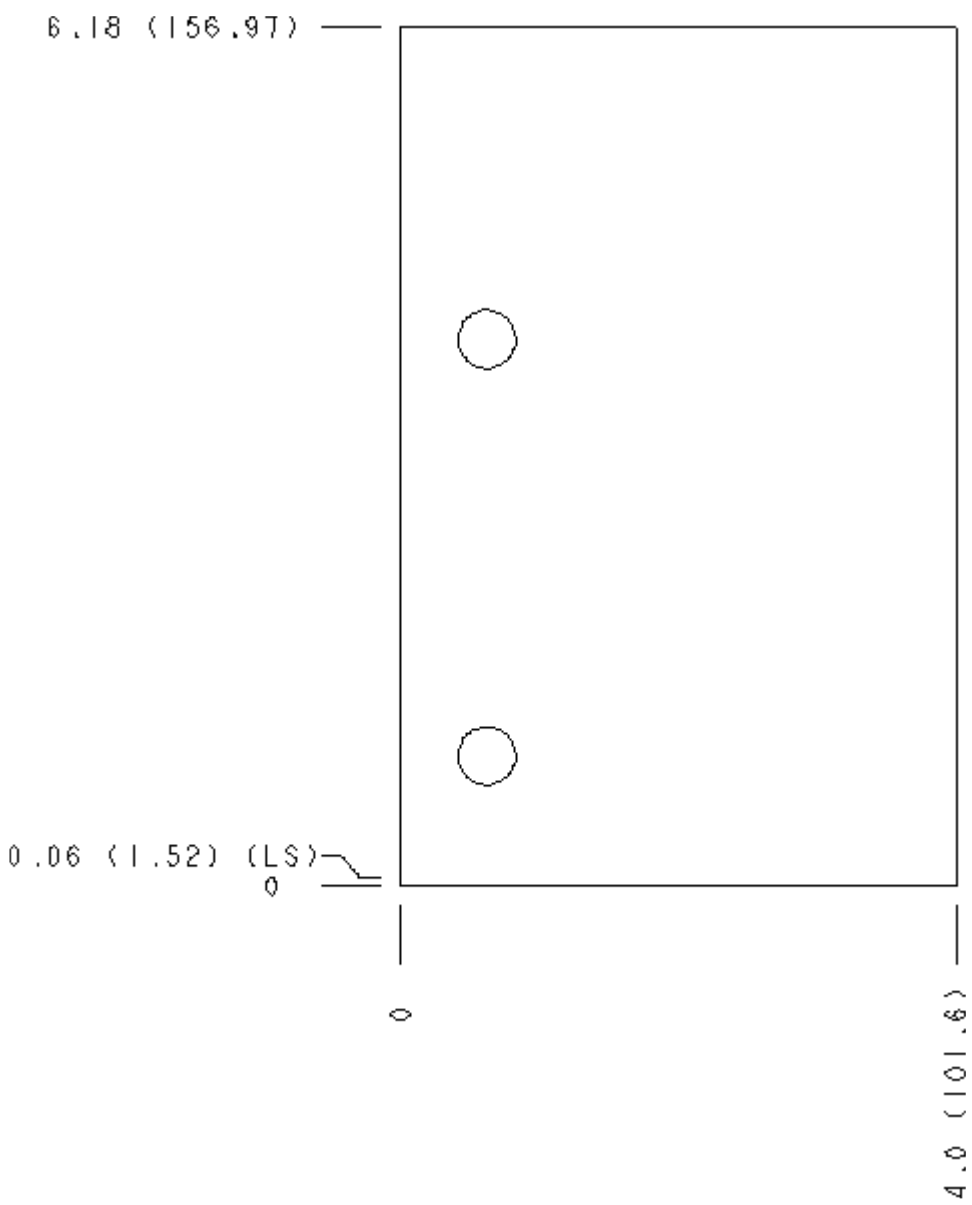
Special Notes

- Pressure ratings are dependent on manifold material. When choosing the material, be sure to consider the maximum system pressure to which the manifold will be exposed.
-
-

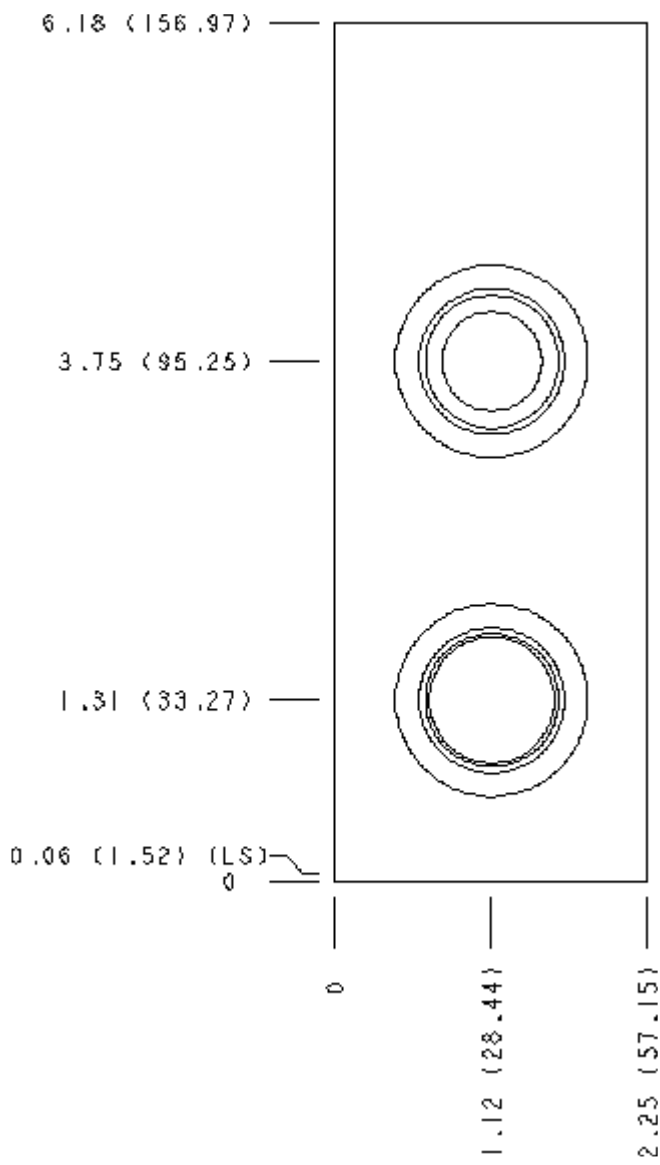
Face 2



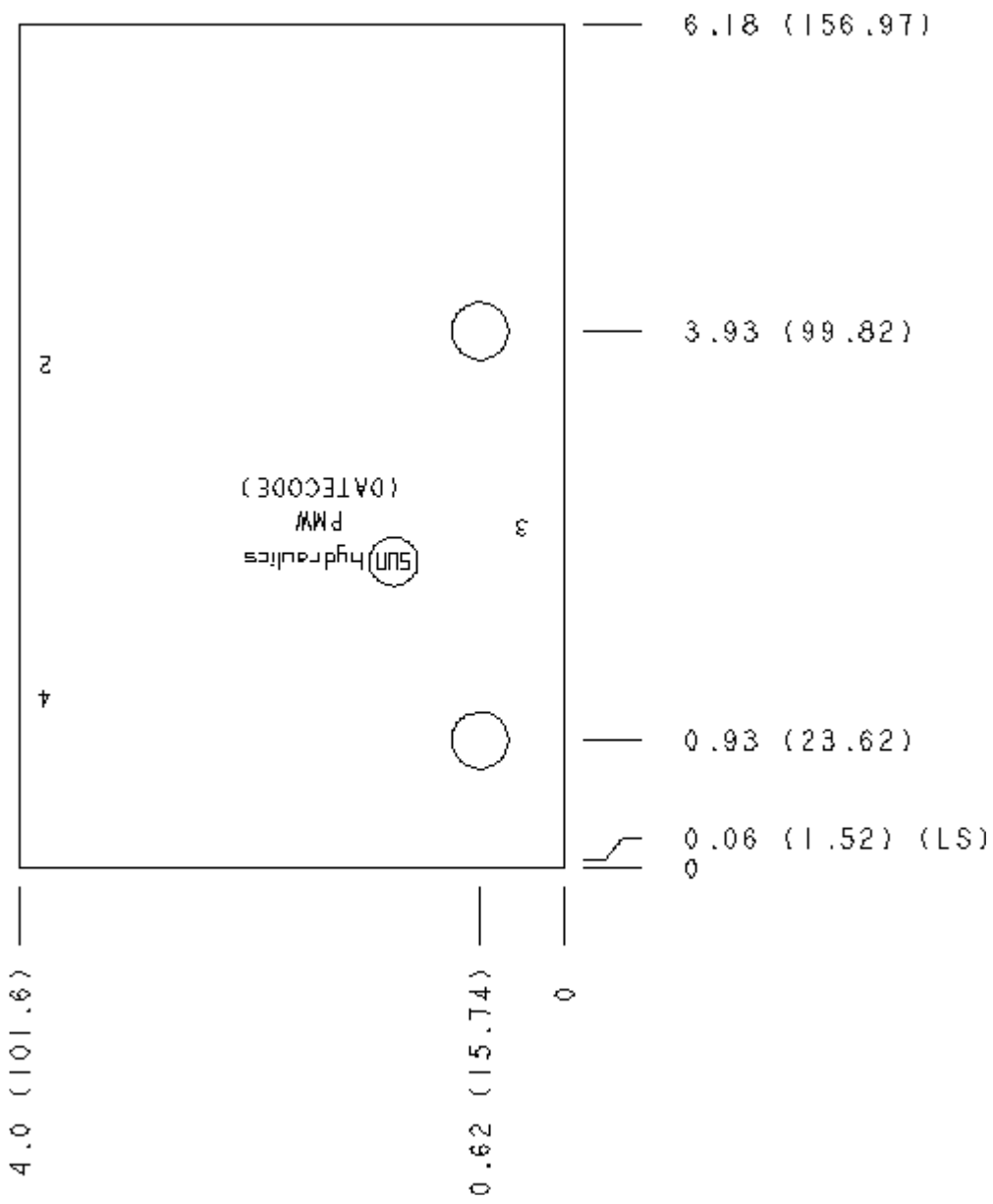
Face 5



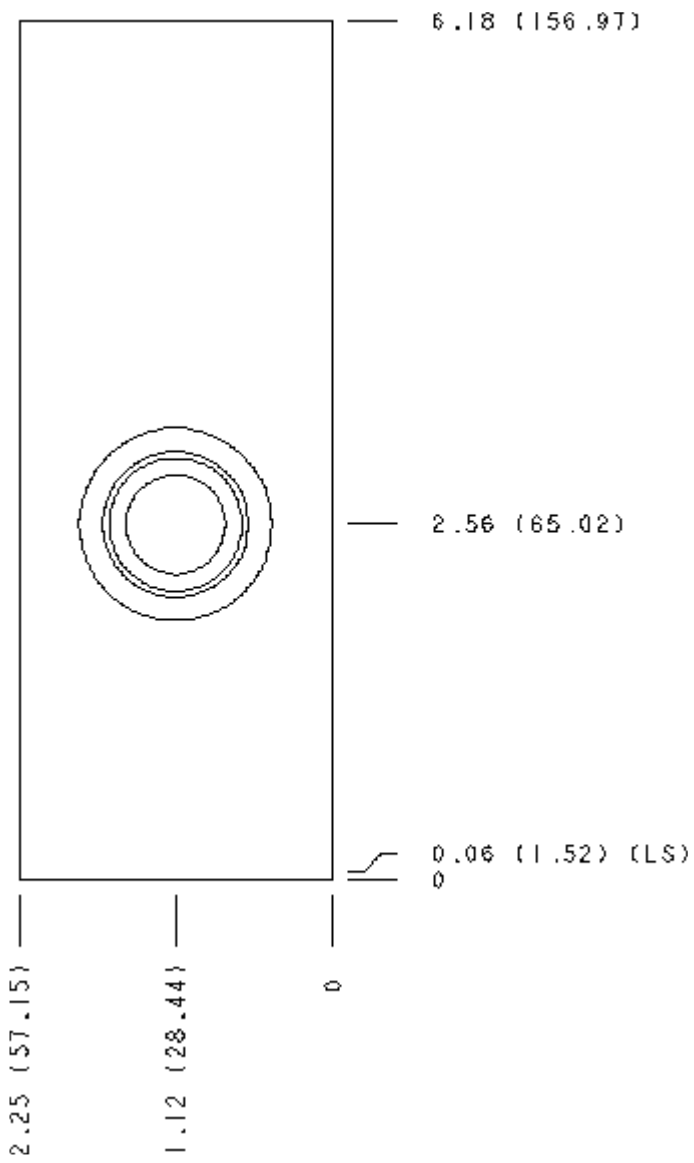
Face 6



Face 7



Face 8



Face 10

