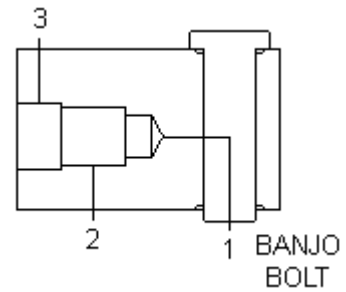


Functional Group:

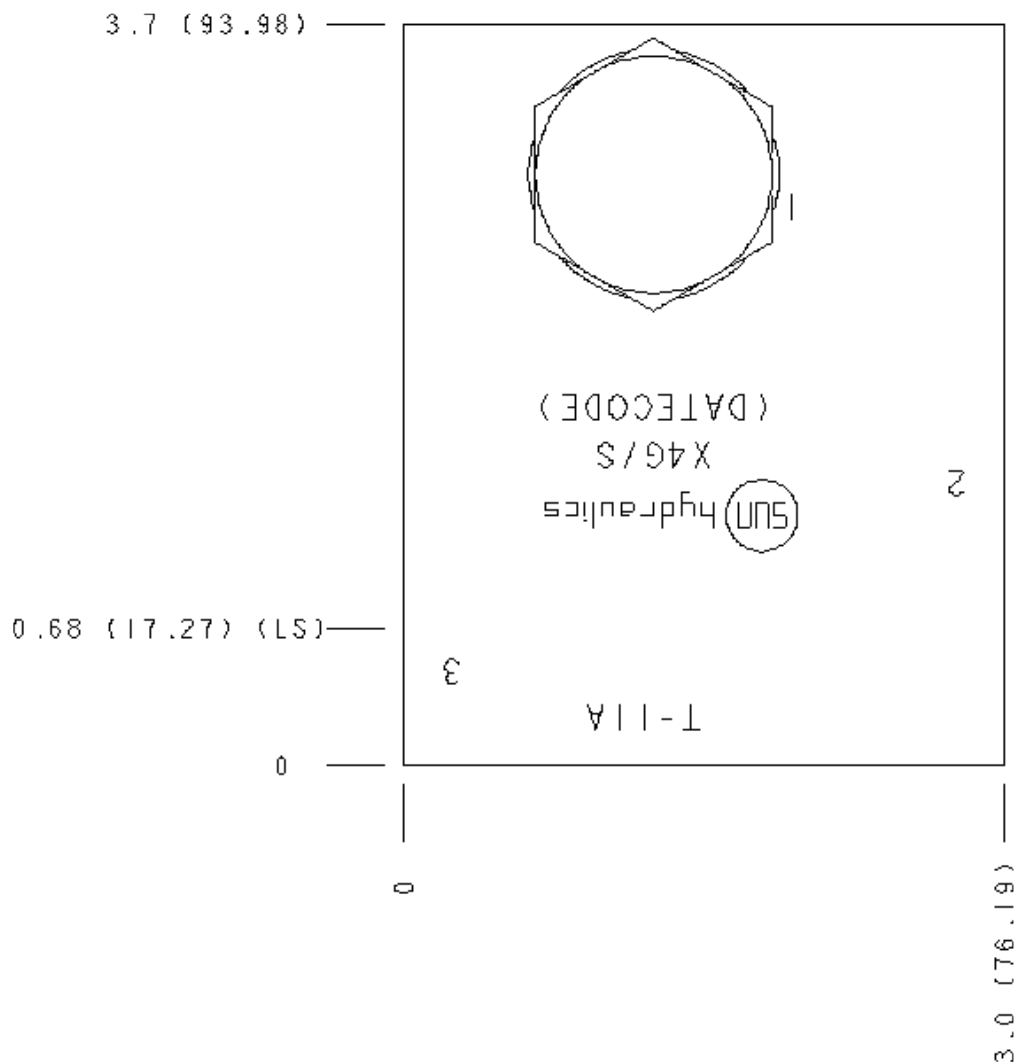
Products : Manifolds : Line Mount : Counterbalance : 3 Port : Banjo Bolt - Ninety Degree

Model:

X4G/S



Face: 6



Port Headings and Sizes

X4G	Ports 1 & 2	1/2" BSPP
X4G	Port 3	1/4" BSPP

Technical Data

	U.S. Units	Metric Units
Cavity		T-11A
Banjo Bolt Hex		1.18
Banjo Bolt Installation Torque	90 lb. ft. to 99 lb. ft. (120 Nm to 132 Nm)	
Body Features		Direct mount
Body Type		Line mount
Interface		Banjo Bolt
Open Cavity Quantity		1
Model Weight	3.41 lb.	1.55 kg.

Option Selection

U.S. Dollar ▾

Aluminum Body Pressure Rating: **3000 psi (210 bar)**Ductile Iron Body Pressure Rating: **5000 psi (350 bar)**

Model Code	Description
X4G	Aluminum, Buna-N, U.S. Units
X4G/S	Ductile Iron, Buna-N, U.S. Units

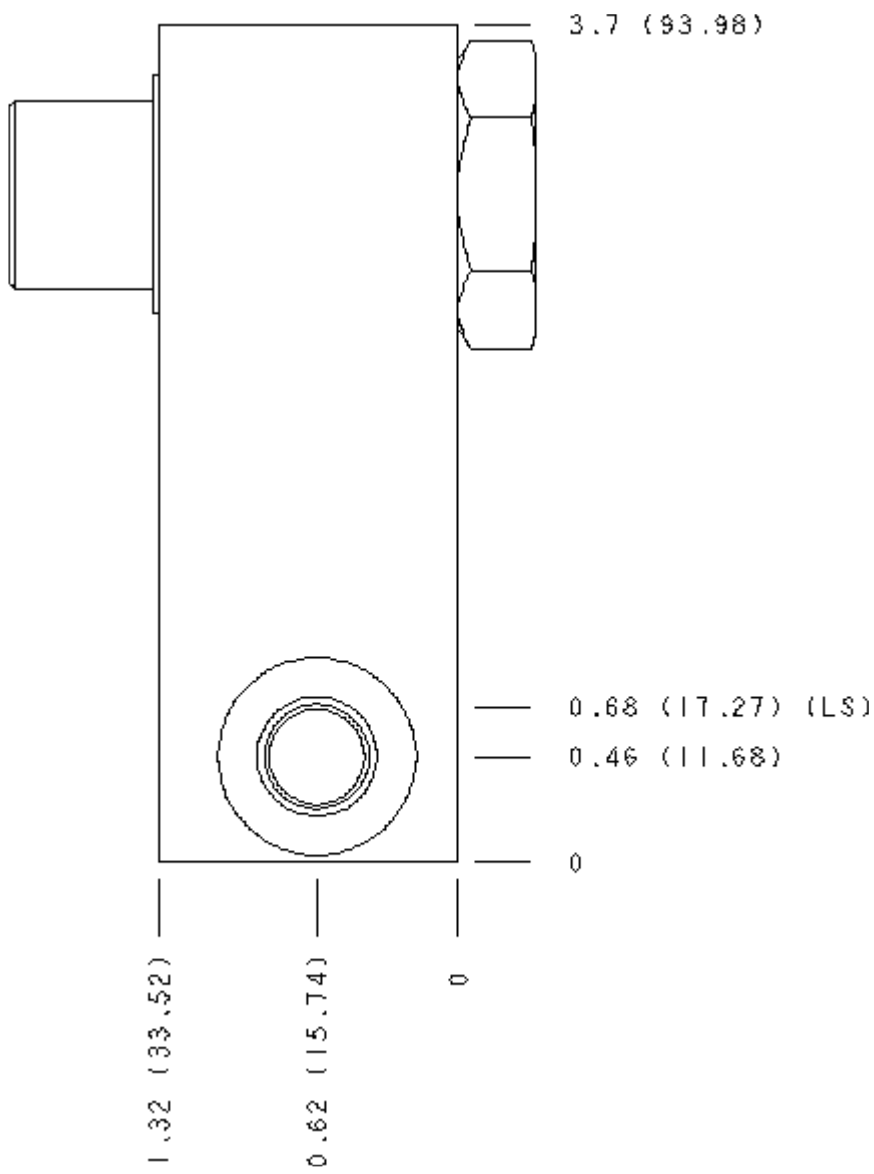
Display Components

Part	Description	Quantity
330-073-003	Connector	1
505-012-003	O-Ring	1

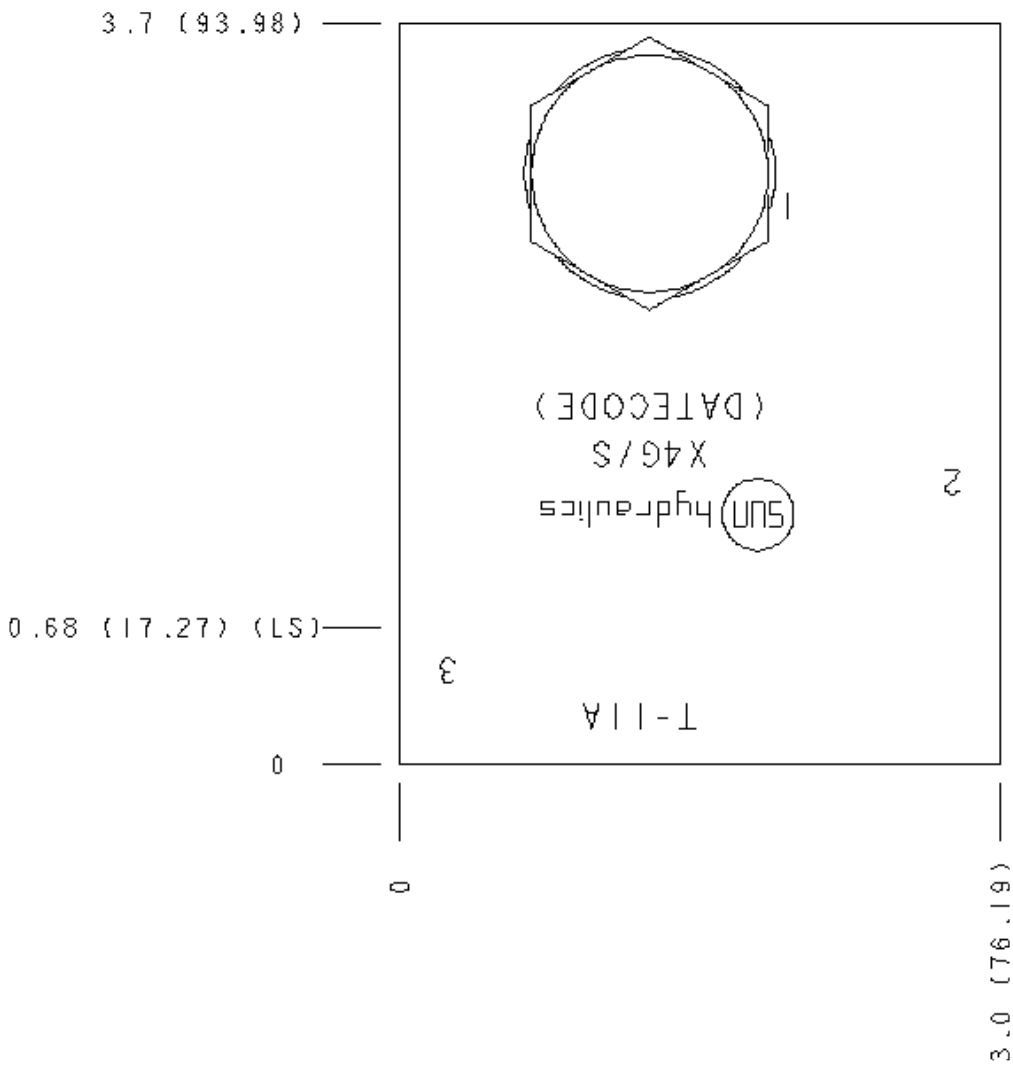
Special Notes

- **Important:** Please carefully consider the maximum system pressure to which the manifold will be exposed. The pressure rating of the manifold is dependent on the manifold material, with the port type and sizing a secondary consideration. For example, manifolds constructed of aluminum are not rated for system pressures higher than 3000 psi (210 bar), regardless of the port type and size specified.
-
-

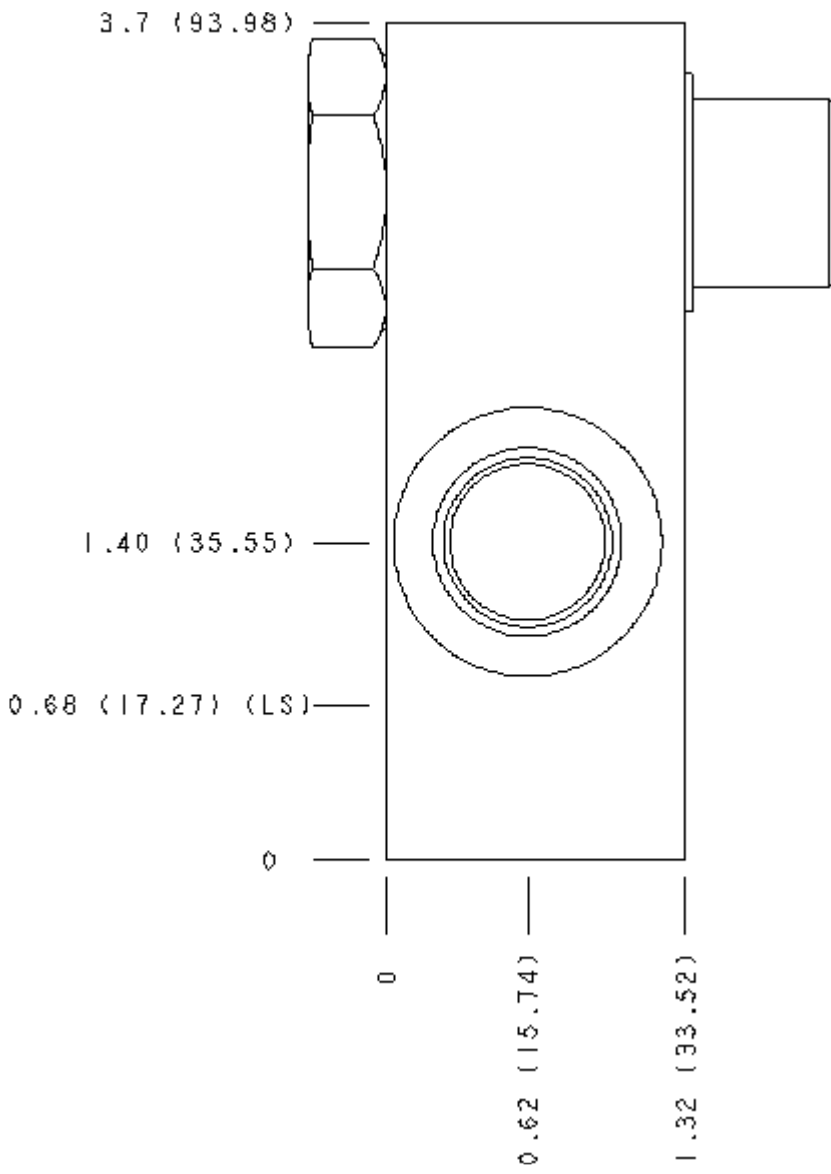
Face 5



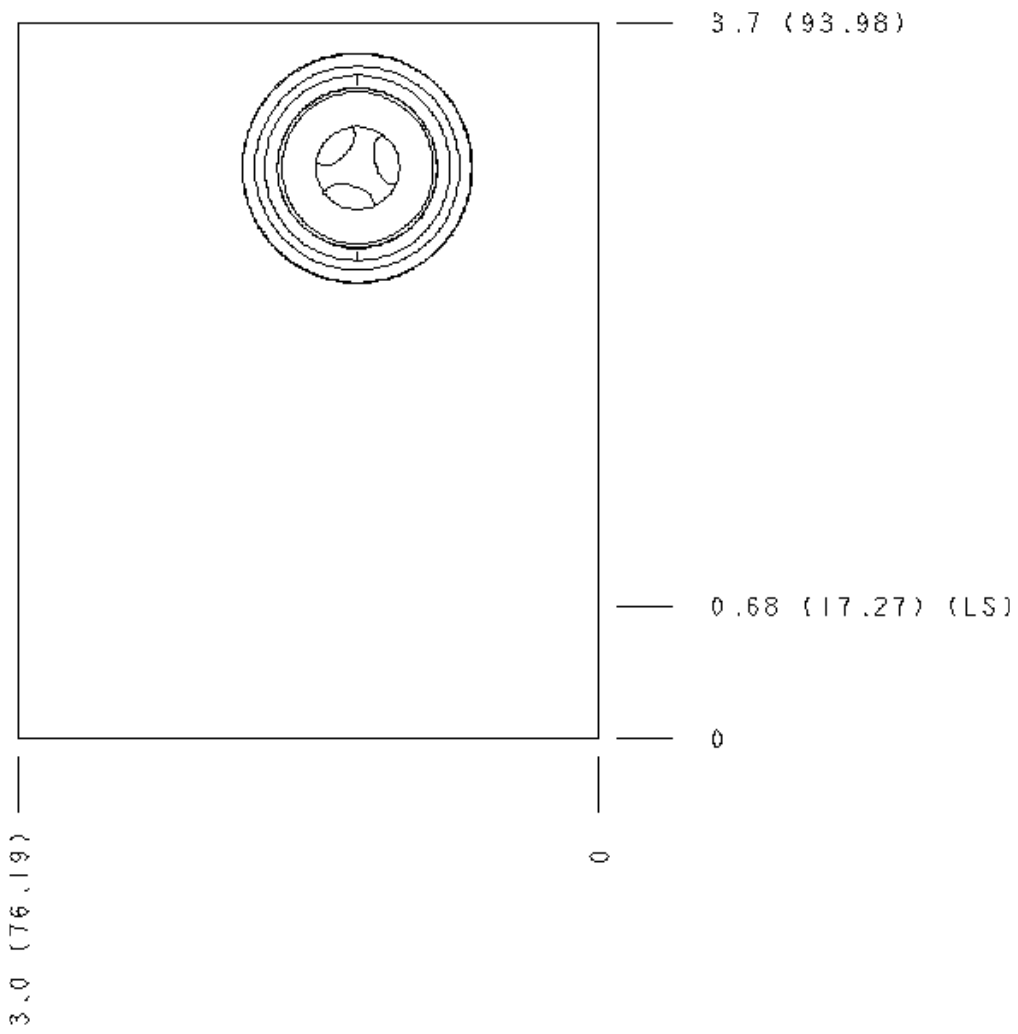
Face 6



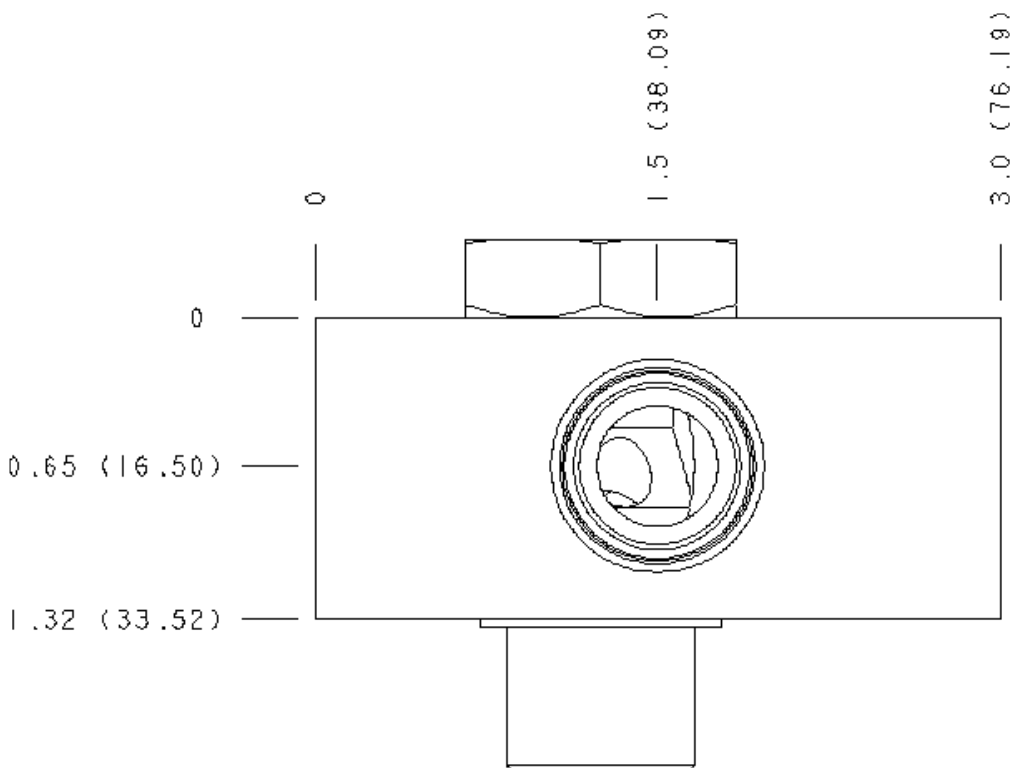
Face 7



Face 8



Face 10



**Copyright © 2002-2012 Sun Hydraulics Corporation. All rights reserved.
Terms and Conditions - ISO Certification - Statement of Privacy**