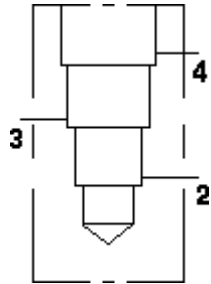


Functional Group:

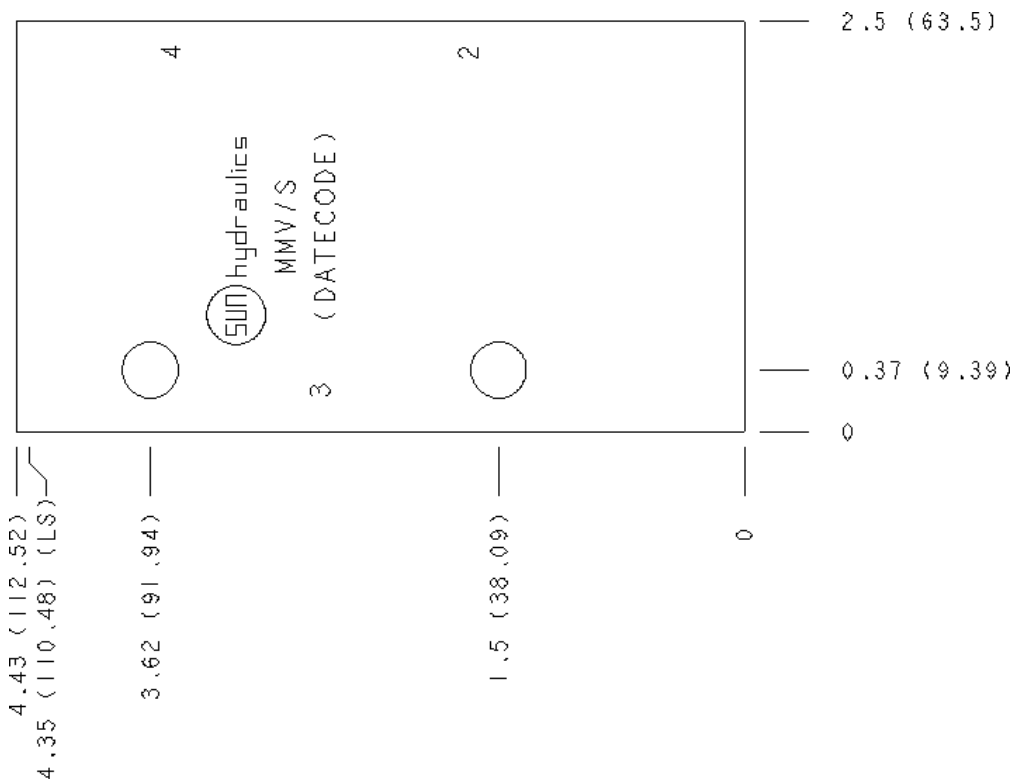
Products : Manifolds : Line Mount : Flow Divider : 4 Port : Ninety degree, 3 ports

Model:

MMV/S



Face: 6



Port Headings and Sizes

MMV All Ports 1/2" BSPP

Technical Data

	U.S. Units	Metric Units
Cavity		T-31A
Body Features		Ninety degree, 3 ports
Body Type		Line mount
Interface		None

Open Cavity Quantity		1
Mounting Hole Diameter	.34 in.	8.6 mm
Mounting Hole Depth		Through
Mounting Hole Quantity		2
Model Weight	3.50 lb.	1.59 kg.

Option Selection

U.S. Dollar ▾

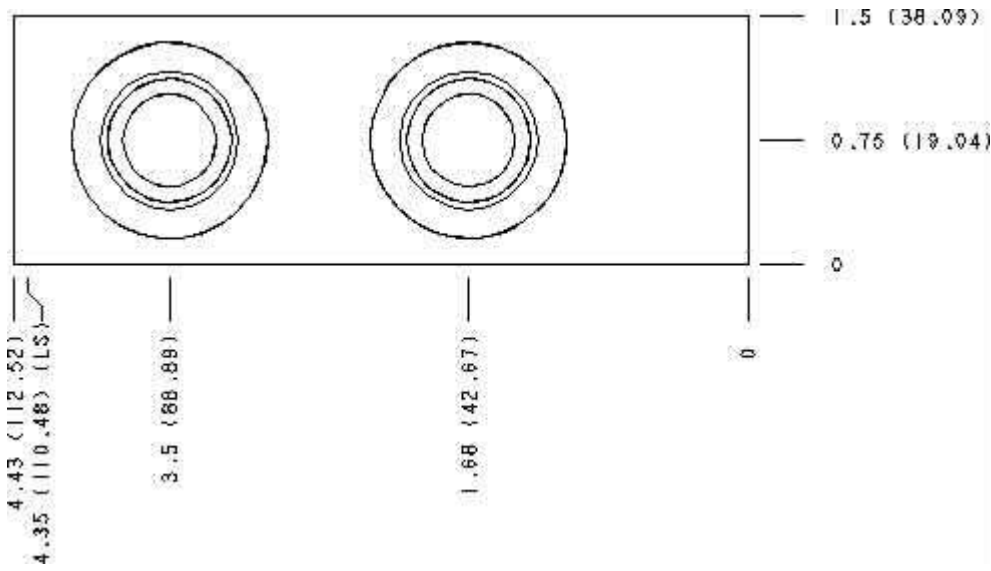
Aluminum Body Pressure Rating: **3000 psi (210 bar)**
 Ductile Iron Body Pressure Rating: **5000 psi (350 bar)**

Model Code	Description
MMV	Aluminum, Buna-N, U.S. Units
MMV/S	Ductile Iron, Buna-N, U.S. Units

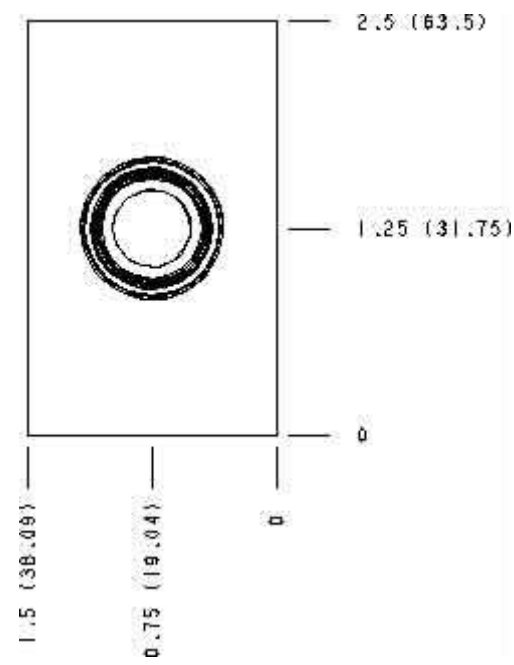
Special Notes

- Important:** Please carefully consider the maximum system pressure to which the manifold will be exposed. The pressure rating of the manifold is dependent on the manifold material, with the port type and sizing a secondary consideration. For example, manifolds constructed of aluminum are not rated for system pressures higher than 3000 psi (210 bar), regardless of the port type and size specified.

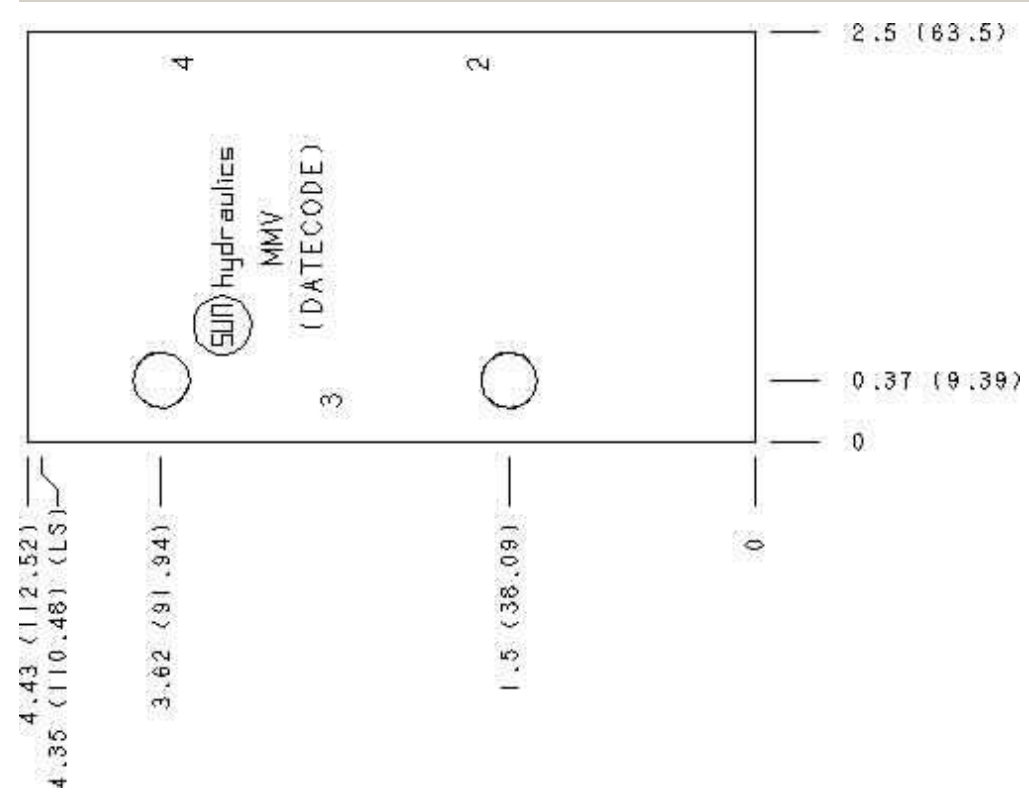
Face 2



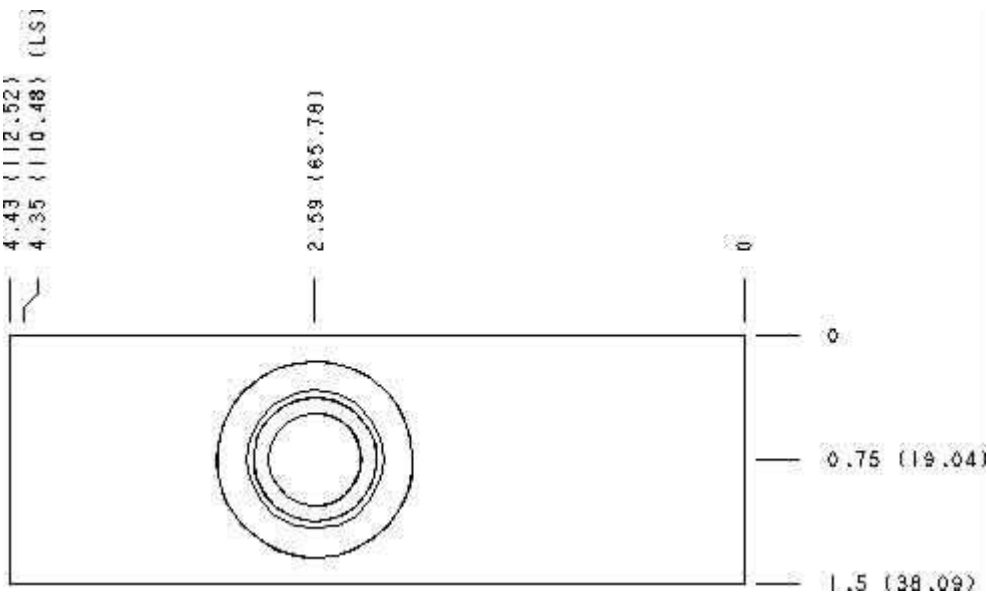
Face 5



Face 6



Face 10



Copyright © 2002-2011 Sun Hydraulics Corporation. All rights reserved.
 Terms and Conditions - ISO Certification - Statement of Privacy