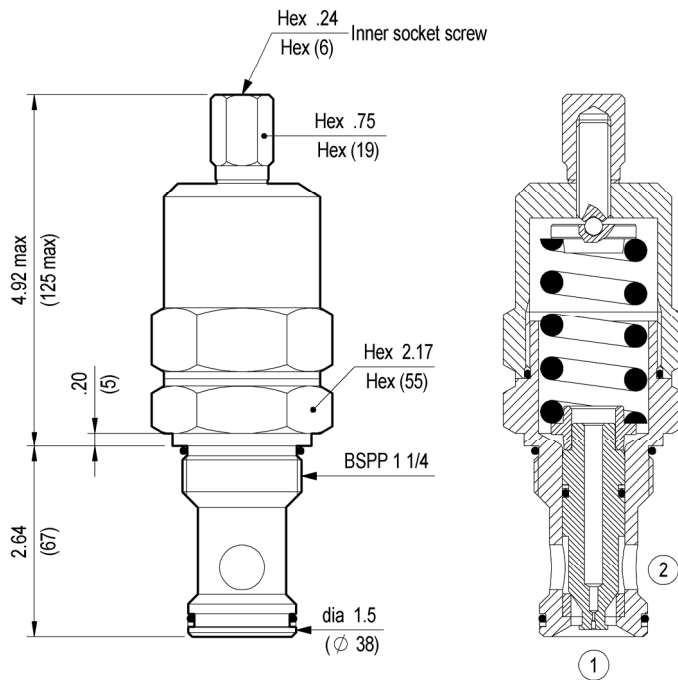


**RELIEF, DIRECT ACTING POPPET TYPE
DIFFERENTIAL AREA
SPECIAL CAVITY**

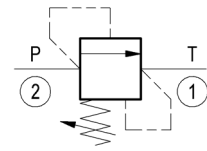
VSD-350

04.15.04 - X - 99 - Z



Inches
(mm)

Flow is blocked from 2 to 1 until pressure increases to meet the selected valve setting, lifting the poppet from its seat and allowing relief flow through 1 to tank. Pressure at 1 is additive to the relief setting of the valve. The combination of stable poppet design and hardened seat provide excellent response, hysteresis and leakage characteristics.



TECHNICAL DATA

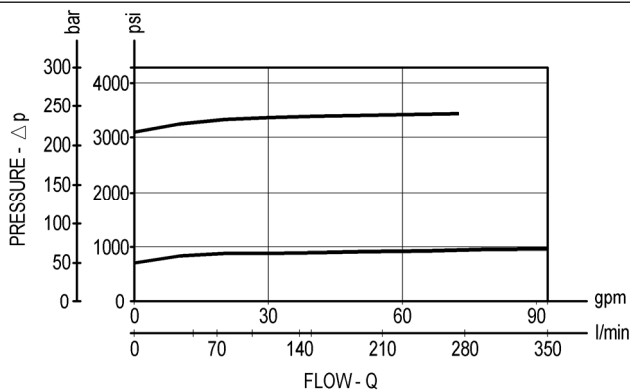
Max. pressure: 3000 psi (210 bar)

Max. flow: 93 gpm (350 l/min)

Special cavity : 004 (see page CT.S.001.U)

Installation torque : 181-196 ft-lb (245-265 Nm)

Weight: 3.263 lbs (1.480 Kg)



X ADJUSTMENTS

03 Leakproof inner hex. socket screw



SPRINGS

Z	Adj. press. range psi (bar)	Press. increase psi / turn (bar/turn)	Standard setting psi (bar) (Q=5 l/min)	Ordering code	Color
05	220-725 (15-50)	131 (9)	725 (50)	03.51.01.065	black
20	1160-3000 (80-210)	537 (37)	2900 (200)	03.51.01.044	green

Special settings available. Contact factory authorized representative for ordering code.