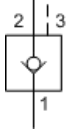


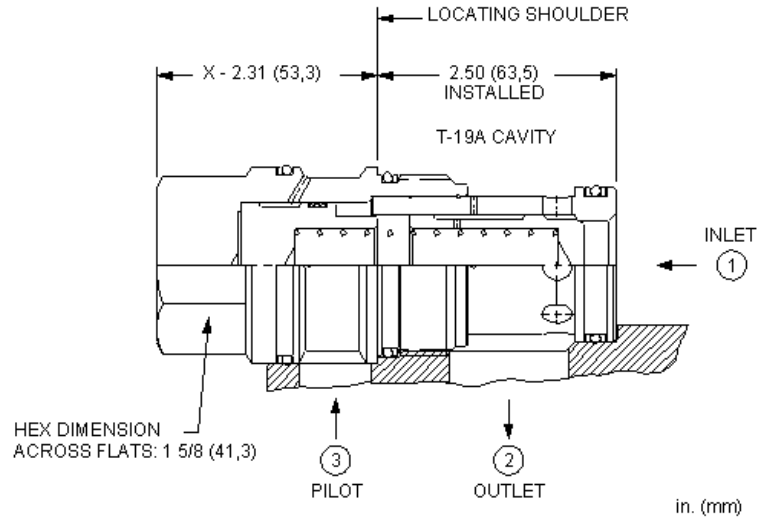
MODEL
COJB

Pilot-to-close check valve
CAPACITY: 610 L/min. | CAVITY: T-19A



CONFIGURATION

X	Control	Standard Pilot
C	Cracking Pressure	30 psi (2 bar)
N	Seal Material	Buna-N

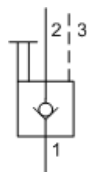
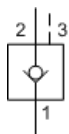


This valve is a spring biased closed, pilot-to-close check cartridge that has a 1.8:1 pilot ratio. The valve allows flow from port 1 to port 2 and blocks reverse flow. Pressure at the pilot port opposes pressure at port 1 at a ratio of 1.8:1. This valve is most often used in regeneration circuits.

TECHNICAL DATA

Cavity	T-19A
Series	4
Capacity	610 L/min.
Pilot Ratio	1.8:1
Maximum Operating Pressure	350 bar
Maximum Valve Leakage at 110 SUS (24 cSt)	0,07 cc/min.
Valve Hex Size	41,3 mm
Valve Installation Torque	475 - 508 Nm
Seal kit - Cartridge	Buna: 990-019-007
Seal kit - Cartridge	Polyurethane: 990-019-002
Seal kit - Cartridge	Viton: 990-019-006
Model Weight	1.18 kg.

SYMBOLS

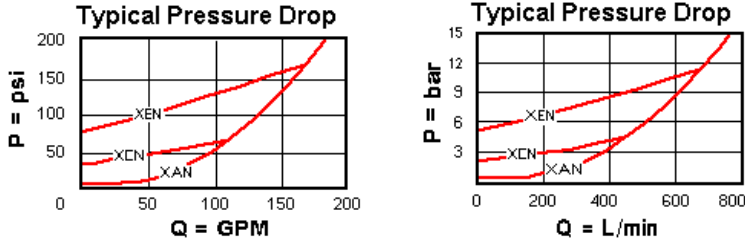


TECHNICAL FEATURES

- Nominal pilot ratio is 1.8:1. This means that a pressure of 1000 psi (70 bar) at the pilot port will close a valve against a pressure of 1800 psi (125 bar) at port 1. Any decay or loss of pilot pressure could allow the valve to open, even if it is a momentary decay or loss.

- Pressure at the port 2 area directly opposes pilot pressure.
- Reverse flow through the valve from port 2 to port 1 is not possible under any condition.
- With equal pressures at all ports the valve is closed.
- In the beginning the CO*A's did not have a positive seal on the pilot pistons and the CO*B's did. Now the CO*A's are positively sealed and the 2 valves are mechanically identical. CO*A's are more readily available and cost less.
- Incorporates the Sun floating style construction to minimize the possibility of internal parts binding due to excessive installation torque and/or cavity/cartridge machining variations.

PERFORMANCE CURVES



CONFIGURATION OPTIONS

CONTROL

Standard Options	X	Standard Pilot
------------------	---	----------------

CRACKING PRESSURE

	A	4 psi (0,3 bar)
	B	15 psi (1 bar)
	C	30 psi (2 bar)
Standard Options	D	50 psi (3,5 bar)
	E	75 psi (5 bar)
	F	100 psi (7 bar)
	Z	1 psi (0,07 bar)

SEAL MATERIAL

Standard Options	N	Buna-N
	V	Viton

Copyright © 2002-2014 Sun Hydraulics Corporation. All rights reserved.