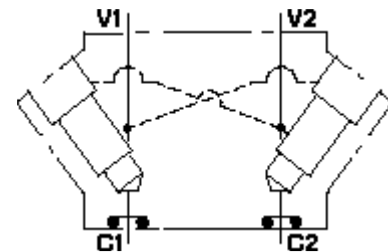


Functional Group:

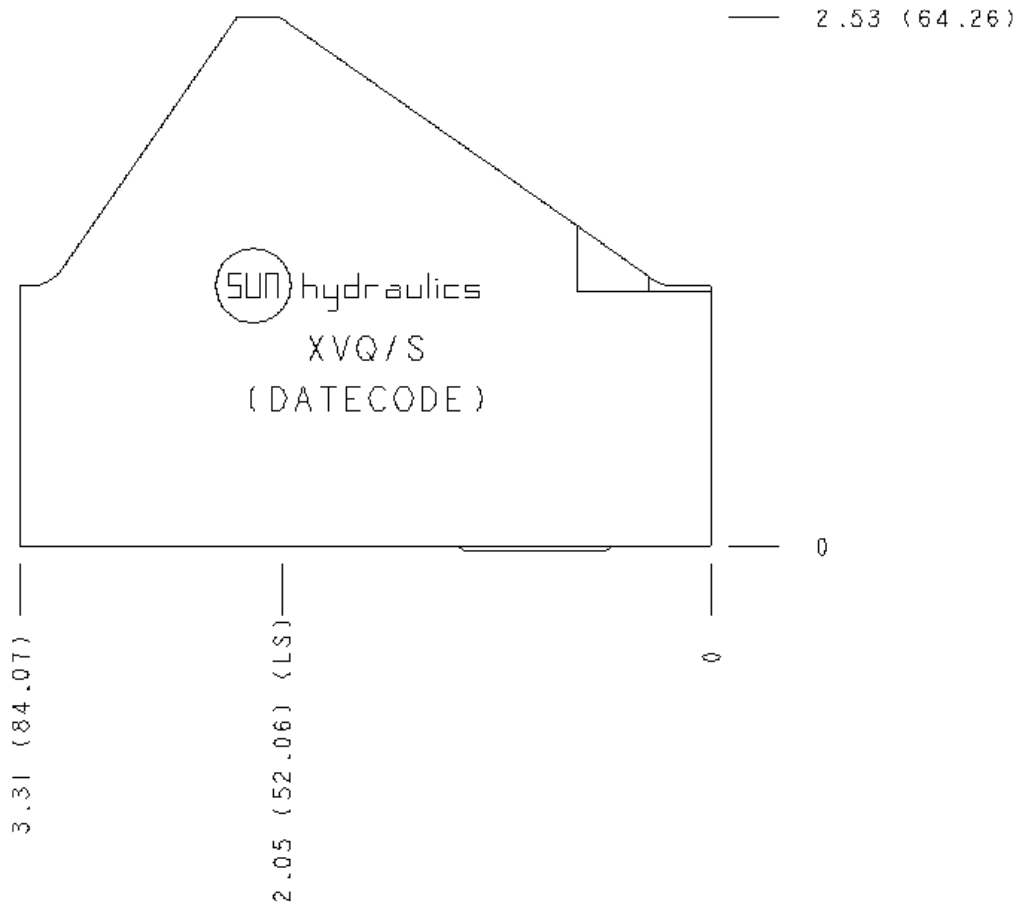
Products : Manifolds : Line Mount : Pilot-to-Open Check : 3 Port : Cross pilot with 2 gasket ports

Model:

XVQ/S



Face: 6



Port Headings and Sizes

XVQ Ports V1 & V2

3/8" BSPP

Technical Data

	U.S. Units	Metric Units
Cavity		T-11A

Body Features	Direct mount, cross pilot, 2 gasket ports	
Body Type	Line mount	
Interface	Sun	
Open Cavity Quantity	2	
Mounting Hole Diameter	.42 in.	10,7 mm
Mounting Hole Depth	Through	
Mounting Hole C'bore Diameter	.59 in.	15,0 mm
Mounting Hole Quantity	3	
Model Weight	3.00 lb.	1.36 kg.

Option Selection

U.S. Dollar 

Aluminum Body Pressure Rating: **3000 psi (210 bar)**
 Ductile Iron Body Pressure Rating: **5000 psi (350 bar)**

Model Code	Description
XVQ	Aluminum, Buna-N, U.S. Units
XVQ/S	Ductile Iron, Buna-N, U.S. Units
XVQ/V	Aluminum, Viton, U.S. Units
XVQ/Y	Ductile Iron, Viton, U.S. Units

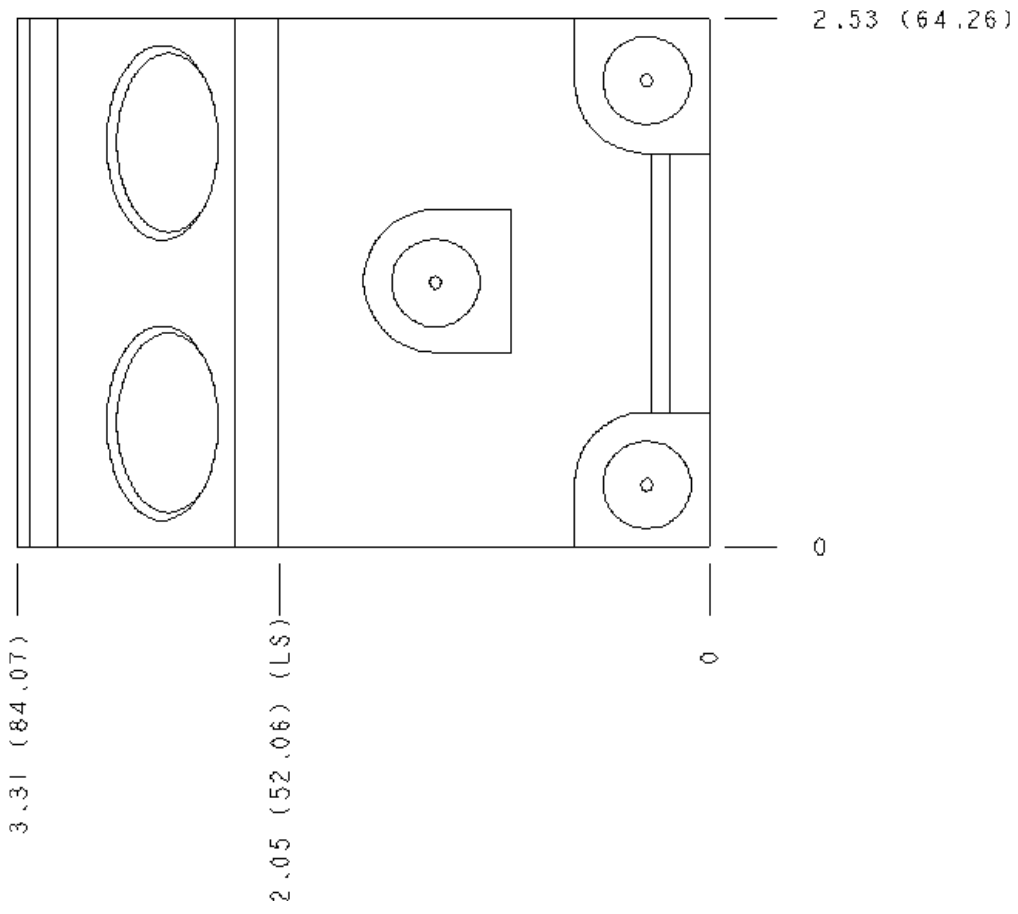
Display Components

Part	Description	Quantity
500-001-113	O-Ring	2

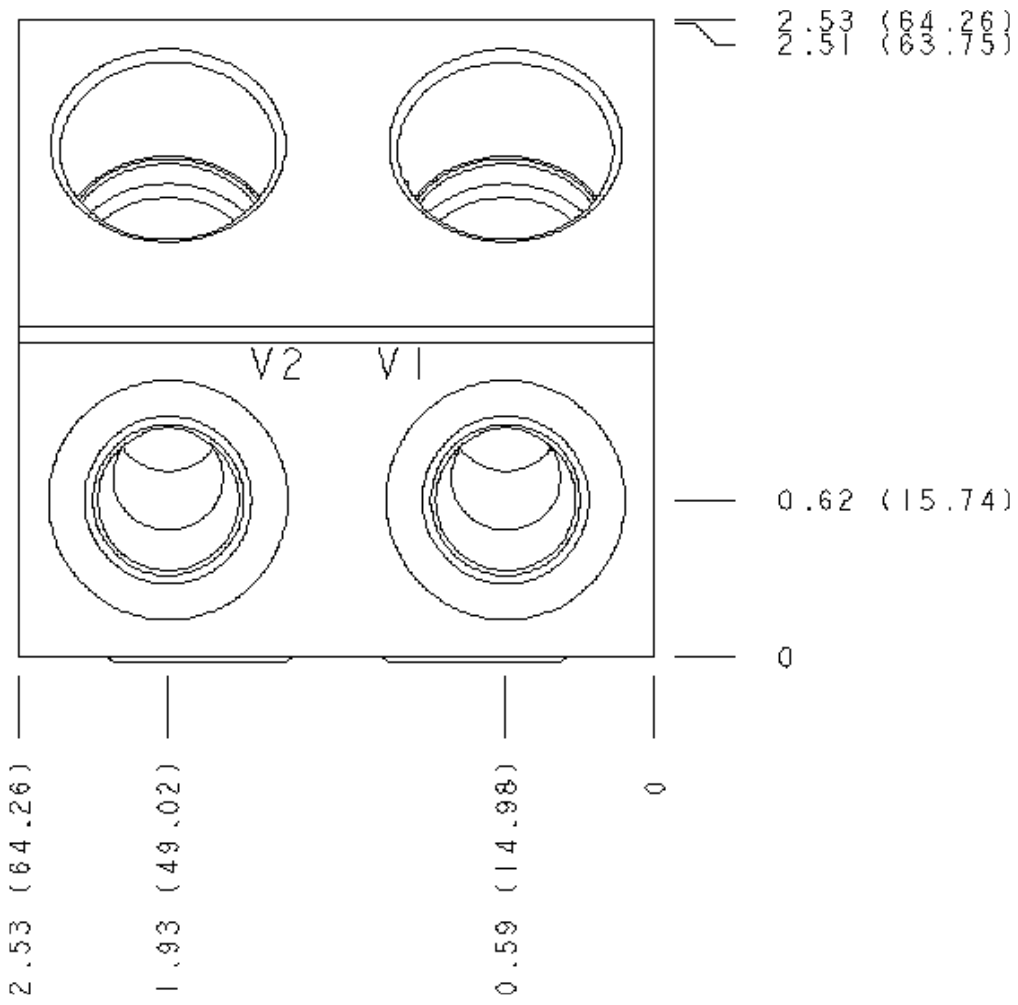
Special Notes

- Important:** Please carefully consider the maximum system pressure to which the manifold will be exposed. The pressure rating of the manifold is dependent on the manifold material, with the port type and sizing a secondary consideration. For example, manifolds constructed of aluminum are not rated for system pressures higher than 3000 psi (210 bar), regardless of the port type and size specified.

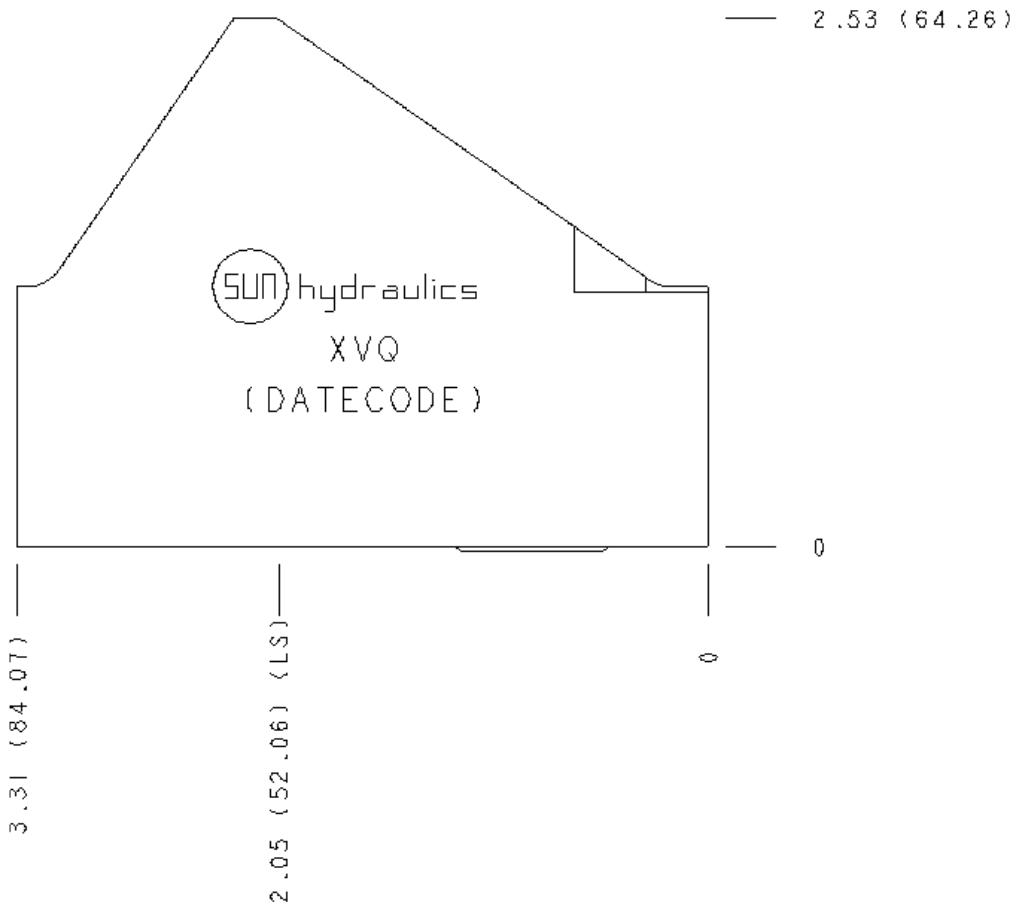
Face 2



Face 5

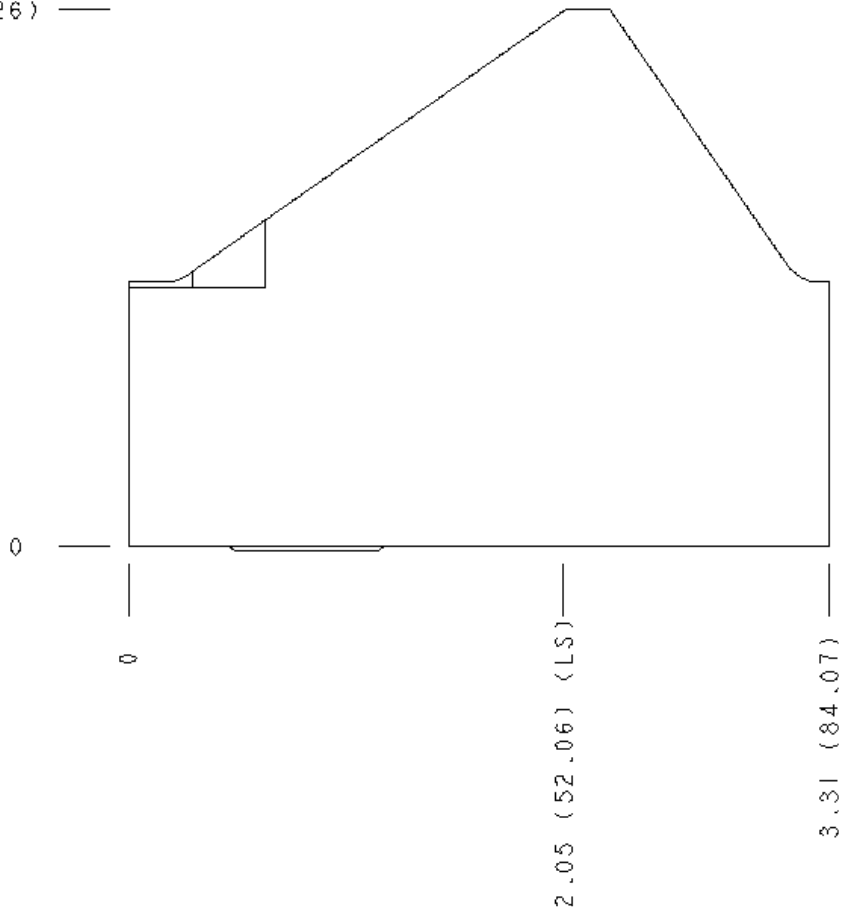


Face 6

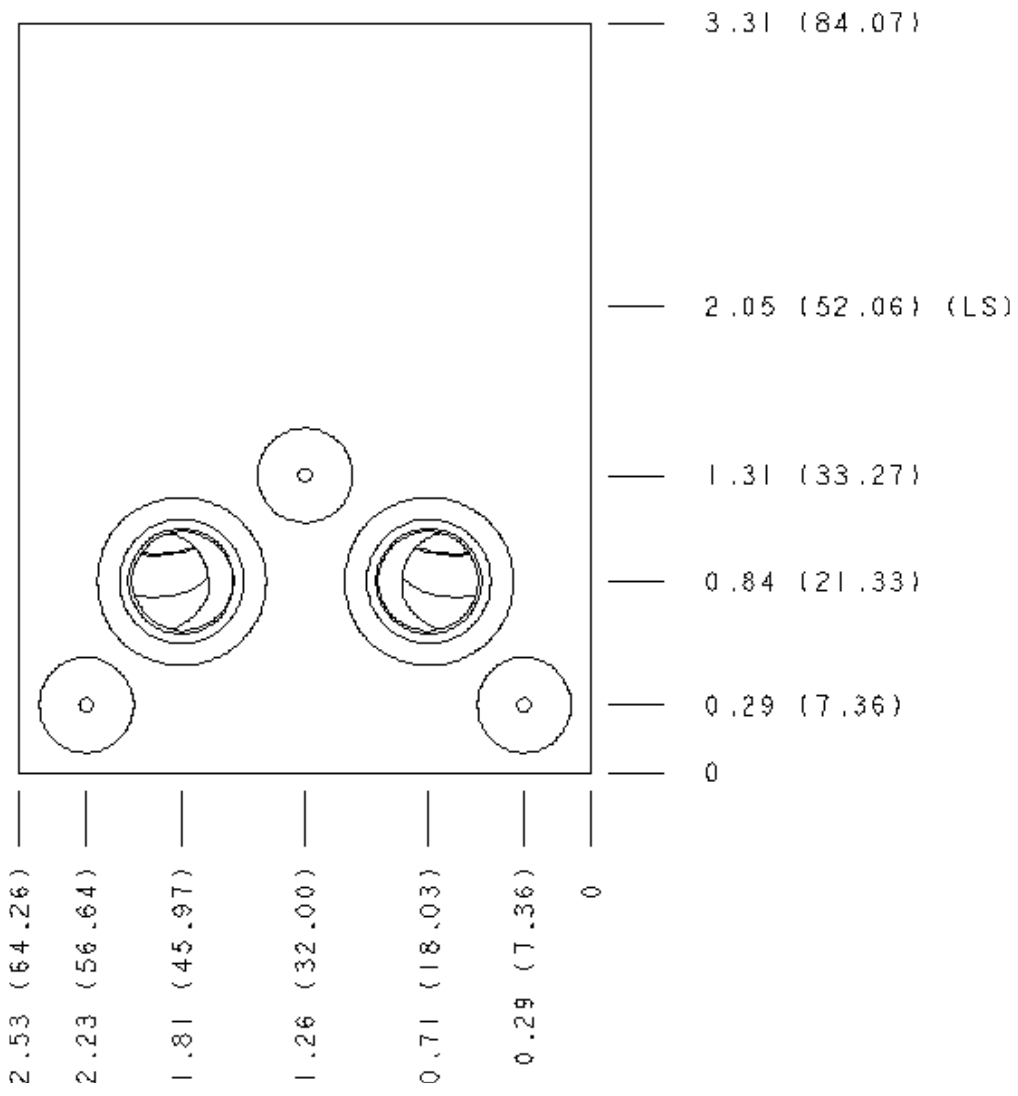


Face 8

2.53 (64.26) —



Face 9



Copyright © 2002-2011 Sun Hydraulics Corporation. All rights reserved.
 Terms and Conditions - ISO Certification - Statement of Privacy