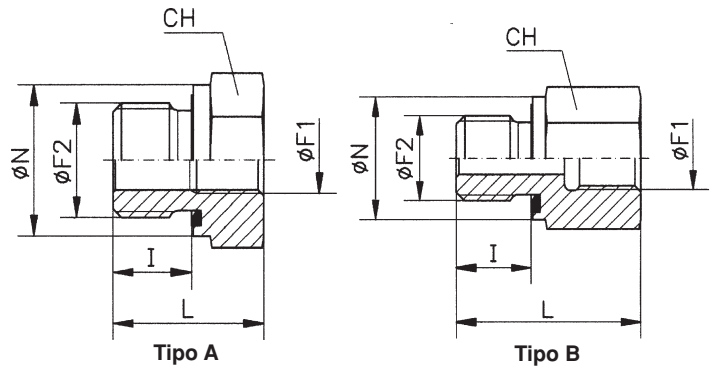




# TN 141 GG-R

RACCORDO DI RIDUZIONE FILETTATO  
 CON GUARNIZIONE IN GOMMA  
 INTERMÉDIAIRE DE RÉDUCTION MÂLE-FEMELLE  
 JOINT EN CAOUTCHOUC  
 MALE / FEMALE STUD ADAPTORS PACKING RING  
 GEWINDEREDUZIERUNGEN GUMMIDICHUNG



Filettatura:  
Gas cilindrica

Filetage:  
Gaz cylindrique

Thread  
B.S.P. parallel

Einschraubgewinde:  
Whitworth-Rohrgewinde zylindrisch

Forma E DIN 3852 Foglio 11

Forme E DIN 3852 Partie 11

Type E DIN 3852 Part 11

Form E DIN 3852 Teil 11

| Tipo   | Ø F2   | Ø F1   | L      | I  | CH | Ø N | PE                            | Simbolo di ordinazione<br>Références<br>Part. No.<br>Bestell - Nr | Peso<br>Poids<br>Weight<br>Gewicht<br>kg.x100 P. |                             |      |
|--------|--------|--------|--------|----|----|-----|-------------------------------|---|--|-----------------------------|------|
| A      | 3/8"   | 1/8"   | 22,5   | 12 | 22 | 22  | 630                           | TN 141 GG - 3/8" x 1/8" R   | 4,0  |                             |      |
|        | 1/2"   | 1/8"   | 24     | 14 | 27 | 27  |                               | TN 141 GG - 1/2" x 1/8" R   | 6,7  |                             |      |
|        | 1/2"   | 1/4"   | 24     | 14 | 27 | 27  |                               | TN 141 GG - 1/2" x 1/4" R   | 5,7  |                             |      |
|        | A      | 3/4"   | 1/4"   | 26 | 16 | 32  | 32                            | 400   | TN 141 GG - 3/4" x 1/4" R                        | 10,4                        |      |
|        |        | 3/4"   | 3/8"   | 26 | 16 | 32  | 32                            |   | TN 141 GG - 3/4" x 3/8" R                        | 8,8                         |      |
|        |        | 1"     | 1/4"   | 29 | 18 | 41  | 40                            |   | TN 141 GG - 1" x 1/4" R                          | 19,6                        |      |
|        |        | 1"     | 3/8"   | 29 | 18 | 41  | 40                            |   | TN 141 GG - 1" x 3/8" R                          | 18,0                        |      |
|        |        | 1"     | 1/2"   | 29 | 18 | 41  | 40                            |   | TN 141 GG - 1" x 1/2" R                          | 15,8                        |      |
|        |        | 1" 1/4 | 1/2"   | 32 | 20 | 50  | 50                            |   | TN 141 GG - 1" 1/4 x 1/2" R                      | 31,0                        |      |
|        |        | 1" 1/4 | 3/4"   | 32 | 20 | 50  | 50                            |   | TN 141 GG - 1" 1/4 x 3/4" R                      | 27,0                        |      |
|        |        | 1" 1/2 | 1/2"   | 36 | 22 | 55  | 55                            |   | TN 141 GG - 1" 1/2 x 1/2" R                      | 47,0                        |      |
| 1" 1/2 |        | 3/4"   | 36     | 22 | 55 | 55  | TN 141 GG - 1" 1/2 x 3/4" R   |   | 40,0   |                             |      |
| 1" 1/2 |        | 1"     | 36     | 22 | 55 | 55  | TN 141 GG - 1" 1/2 x 1" R     |   | 34,0   |                             |      |
| B      | 1/8"   | 1/4"   | 31     | 8  | 19 | 14  | 630                           | TN 141 GG - 1/8" x 1/4" R   | 3,7  |                             |      |
|        | 1/8"   | 3/8"   | 32     | 8  | 24 | 14  |                               | TN 141 GG - 1/8" x 3/8" R   | 6,2  |                             |      |
|        | 1/4"   | 1/8"   | 28     | 12 | 19 | 19  |                               | TN 141 GG - 1/4" x 1/8" R   | 3,7  |                             |      |
|        | 1/4"   | 3/8"   | 36     | 12 | 24 | 19  |                               | TN 141 GG - 1/4" x 3/8" R   | 6,7  |                             |      |
|        | 1/4"   | 1/2"   | 40     | 12 | 30 | 19  |                               | TN 141 GG - 1/4" x 1/2" R   | 11,5   |                             |      |
|        | 1/4"   | 3/4"   | 43     | 12 | 36 | 19  |                               | TN 141 GG - 1/4" x 3/4" R   | 17,0   |                             |      |
|        | 3/8"   | 1/4"   | 36     | 12 | 22 | 22  |                               | TN 141 GG - 3/8" x 1/4" R   | 6,7  |                             |      |
|        | 3/8"   | 1/2"   | 41     | 12 | 30 | 22  |                               | TN 141 GG - 3/8" x 1/2" R   | 12,5   |                             |      |
|        | 3/8"   | 3/4"   | 44     | 12 | 36 | 22  |                               | TN 141 GG - 3/8" x 3/4" R   | 18,0   |                             |      |
|        | 1/2"   | 3/8"   | 36     | 14 | 27 | 27  |                               | 630   | TN 141 GG - 1/2" x 3/8" R                        | 9,0                         |      |
|        | B      | 1/2"   | 3/4"   | 46 | 14 | 36  | 27                            | 400   | TN 141 GG - 1/2" x 3/4" R                        | 18,2                        |      |
|        |        | 1/2"   | 1"     | 49 | 14 | 41  | 27                            |   | TN 141 GG - 1/2" x 1" R                          | 22,0                        |      |
|        |        | 1/2"   | 1" 1/4 | 53 | 14 | 55  | 27                            |   | TN 141 GG - 1/2" x 1" 1/4 R                      | 48,0                        |      |
|        |        | 3/4"   | 1/2"   | 41 | 16 | 32  | 32                            |   | TN 141 GG - 3/4" x 1/2" R                        | 14,5                        |      |
|        |        | 3/4"   | 1"     | 51 | 16 | 41  | 32                            |   | TN 141 GG - 3/4" x 1" R                          | 23,7                        |      |
|        |        | 3/4"   | 1" 1/4 | 55 | 16 | 55  | 32                            |   | TN 141 GG - 3/4" x 1" 1/4 R                      | 48,0                        |      |
|        |        | 3/4"   | 1" 1/2 | 57 | 16 | 60  | 32                            |   | 315  | TN 141 GG - 3/4" x 1" 1/2 R | 56,0 |
|        |        | 1"     | 3/4"   | 47 | 18 | 41  | 40                            |   | 400  | TN 141 GG - 1" x 3/4" R     | 27,0 |
|        |        | 1"     | 1" 1/4 | 57 | 18 | 55  | 40                            |   | TN 141 GG - 1" x 1" 1/4 R                        | 50,0                        |      |
|        |        | 1"     | 1" 1/2 | 59 | 18 | 60  | 40                            |   | 315  | TN 141 GG - 1" x 1" 1/2 R   | 58,5 |
|        |        | 1" 1/4 | 1"     | 52 | 20 | 50  | 50                            |   | 400  | TN 141 GG - 1" 1/4 x 1" R   | 45,9 |
| 1" 1/4 | 1" 1/2 | 60     | 20     | 60 | 50 | 315 | TN 141 GG - 1" 1/4 x 1" 1/2 R | 61,5  |  |                             |      |
| 1" 1/2 | 1" 1/4 | 58     | 22     | 55 | 55 |     | TN 141 GG - 1" 1/2 x 1" 1/4 R | 54,0  |  |                             |      |

- Gamma di temperature senza riduzioni di pressione con i raccordi con guarnizioni gomma in NBR (di serie) e FPM (su richiesta):  
NBR (Perbunan): da -35 a +100°C - FPM (Viton): da -25 a +120°C
- Gamme de températures sans réductions de pression avec les raccords avec joints caoutchouc en NBR (di série) et FPM (sur demande): NBR (Perbunan): de -35 à +100°C - FPM (Viton): de -25 à +120°C
- Temperature range without pressure reductions with connections fitted with seals in NBR (standard) and FPM (to order): NBR (Perbunan): from -35 to +100°C - FPM (Viton): from -25 to +120°C
- Temperaturbereich ohne Druckabschläge bei Verschraubungen mit Gummidichtung aus NBR (serienmäßig) und FPM (auf Wunsch): NBR (Perbunan): -35 bis +100°C - FPM (Viton): -25 bis +120°C