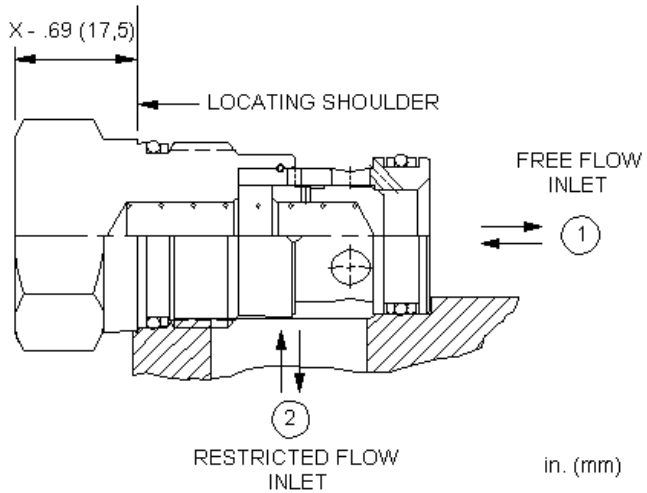
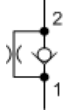


MODEL
CNFC

Free flow nose to side check valve with bypass orifice
CAPACITY: 120 L/min. | CAVITY: T-5A



CONFIGURATION

X	Control	Not Adjustable
C	Setting Range	30 psi (2 bar) Cracking Pressure, .016 - .127 in. (0,4 - 3,2 mm)
N	Seal Material	Buna-N
(none)	Material/Coating	Standard Material/Coating

Free-flow, nose-to-side check valves with a bypass orifice allow free flow from port 1 to port 2. A customer specified orifice is included to restrict flow from port 2 to port 1. See technical data below for orifice range.

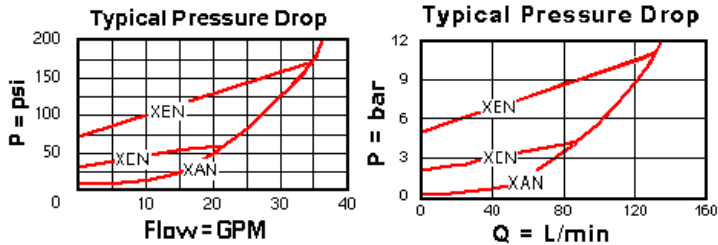
TECHNICAL DATA

Cavity	T-5A
Series	2
Capacity	120 L/min.
Maximum Operating Pressure	350 bar
Orifice Range	0,4 - 3,2 mm
Valve Hex Size	28,6 mm
Valve Installation Torque	61 - 68 Nm
Seal kit - Cartridge	Buna: 990-203-007
Seal kit - Cartridge	Viton: 990-203-006
Model Weight	0.19 kg.

TECHNICAL FEATURES

- Two-port check valves share the same cavity for a given frame size, however, pay close attention as flow paths may be in opposite directions.
- Will accept 5000 psi (350 bar) at ports 1 and 2.
- Valves with the opposite flow path (free flow from 2 to 1) are considered flow controls and may be found listed as fixed orifice, non-pressure compensated flow control valve with reverse flow check.
- The customer specified orifice diameter is stamped on one of the cartridge's hex faces.
- Corrosion resistant cartridge valves are intended for use in corrosive environments and are identified by the model code suffix /AP (see Option Selection below). External parts are made from stainless steel with titanium or brass components, where applicable. Internal parts are made from carbon steel leaded alloy, the same as standard valves. For further details, please see the Materials of Construction page.
- Incorporates the Sun floating style construction to minimize the possibility of internal parts binding due to excessive installation torque and/or cavity/cartridge machining variations.

PERFORMANCE CURVES



Note: Performance data shown reflects a blocked orifice.

CONFIGURATION OPTIONS

CONTROL

Standard Options	X	Not Adjustable
------------------	---	----------------

SETTING RANGE

Standard Options	A	4 psi (0,3 bar) Cracking Pressure, .016 - .127 in. (0,4 - 3,2 mm)
	B	15 psi (1 bar) Cracking Pressure, .016 - .127 in. (0,4 - 3,2 mm)
	C	30 psi (2 bar) Cracking Pressure, .016 - .127 in. (0,4 - 3,2 mm)
	D	50 psi (3,5 bar) Cracking Pressure, .016 - .127 in. (0,4 - 3,2 mm)
	E	75 psi (5 bar) Cracking Pressure, .016 - .127 in. (0,4 - 3,2 mm)
	F	100 psi (7 bar) Cracking Pressure, .016 - .127 in. (0,4 - 3,2 mm)

SEAL MATERIAL

Standard Options	N	Buna-N
	V	Viton

MATERIAL/COATING

Standard Options		Standard Material/Coating
	/AP	Stainless Steel, Passivated

Copyright © 2002-2014 Sun Hydraulics Corporation. All rights reserved.