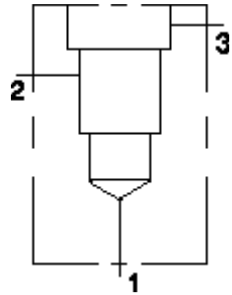


Functional Group:

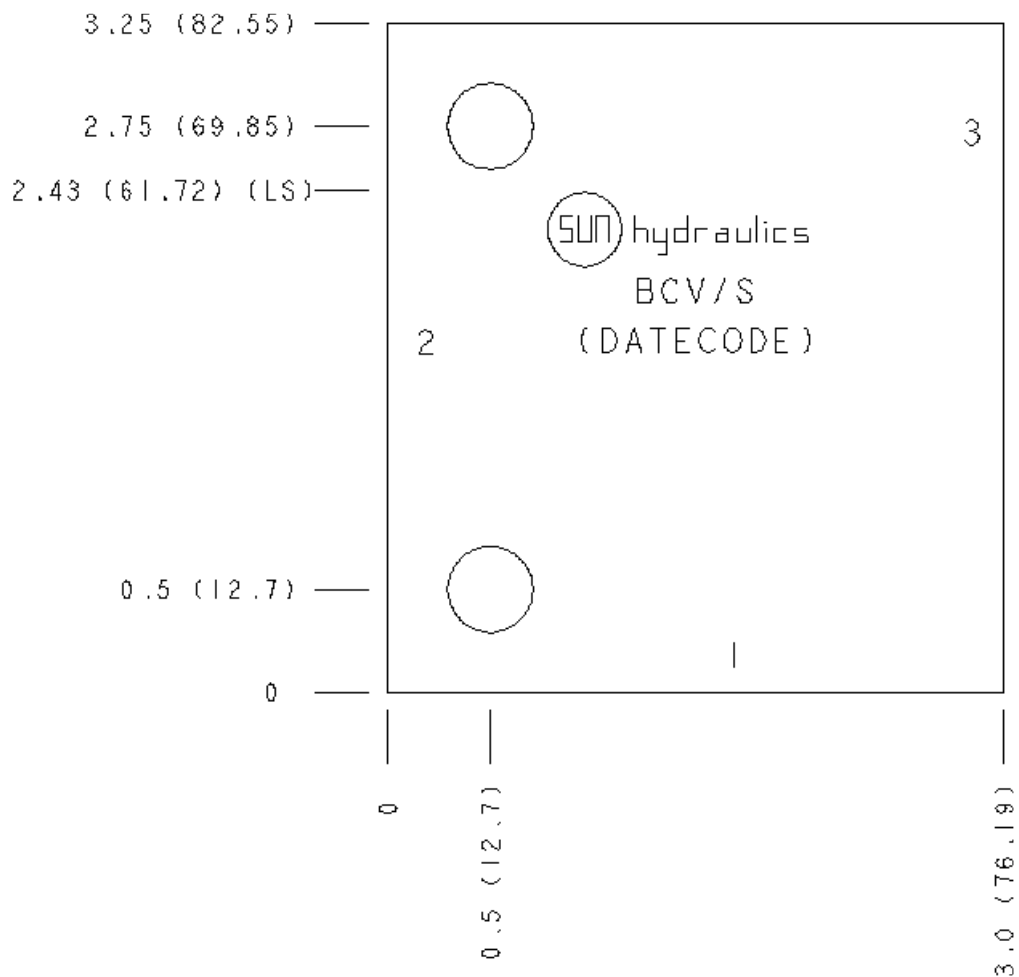
Products : Manifolds : Line Mount : Load Control Valve, Load Reactive : 3 Port : Ninety Degree

Model:

BCV/S



Face: 6



Port Headings and Sizes

BCV	Ports 1 & 2	1/2" BSPP
BCV	Port 3	1/4" BSPP

Technical Data

	U.S. Units	Metric Units
Cavity		T-2A
Body Features		Ninety degree
Body Type		Line mount
Interface		None
Open Cavity Quantity		1
Mounting Hole Diameter	.42 in.	10,7 mm
Mounting Hole Depth		Through
Mounting Hole Quantity		2
Model Weight	2.91 lb.	1.32 kg.

Option Selection

U.S. Dollar

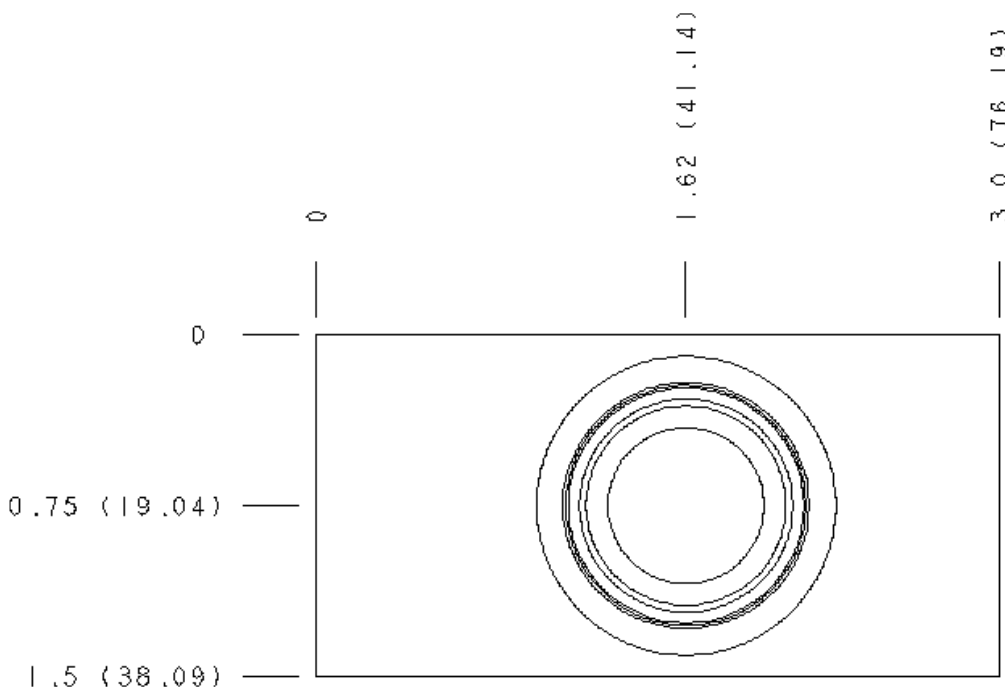
Aluminum Body Pressure Rating: **3000 psi (210 bar)**
Ductile Iron Body Pressure Rating: **5000 psi (350 bar)**

Model Code	Description
BCV	Aluminum, Buna-N, U.S. Units
BCV/S	Ductile Iron, Buna-N, U.S. Units

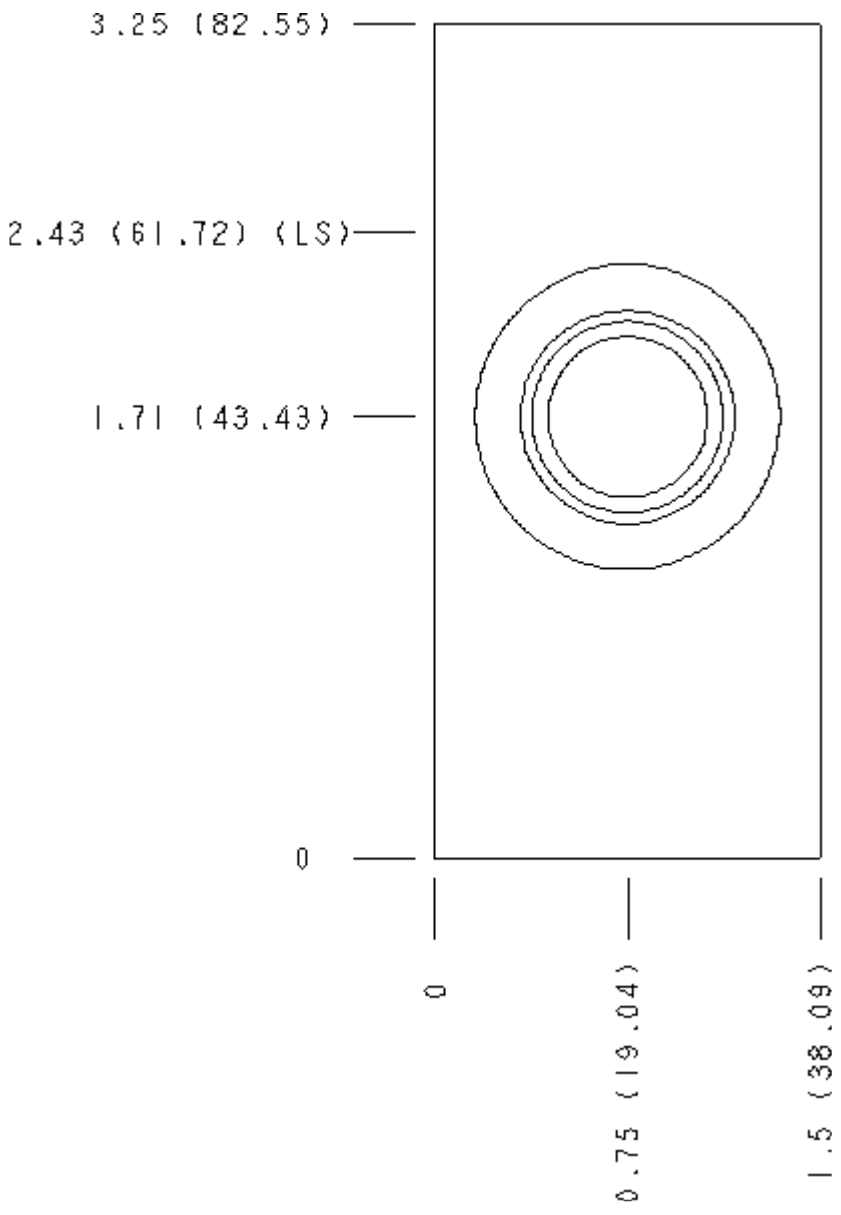
Special Notes

- Important:** Please carefully consider the maximum system pressure to which the manifold will be exposed. The pressure rating of the manifold is dependent on the manifold material, with the port type and sizing a secondary consideration. For example, manifolds constructed of aluminum are not rated for system pressures higher than 3000 psi (210 bar), regardless of the port type and size specified.

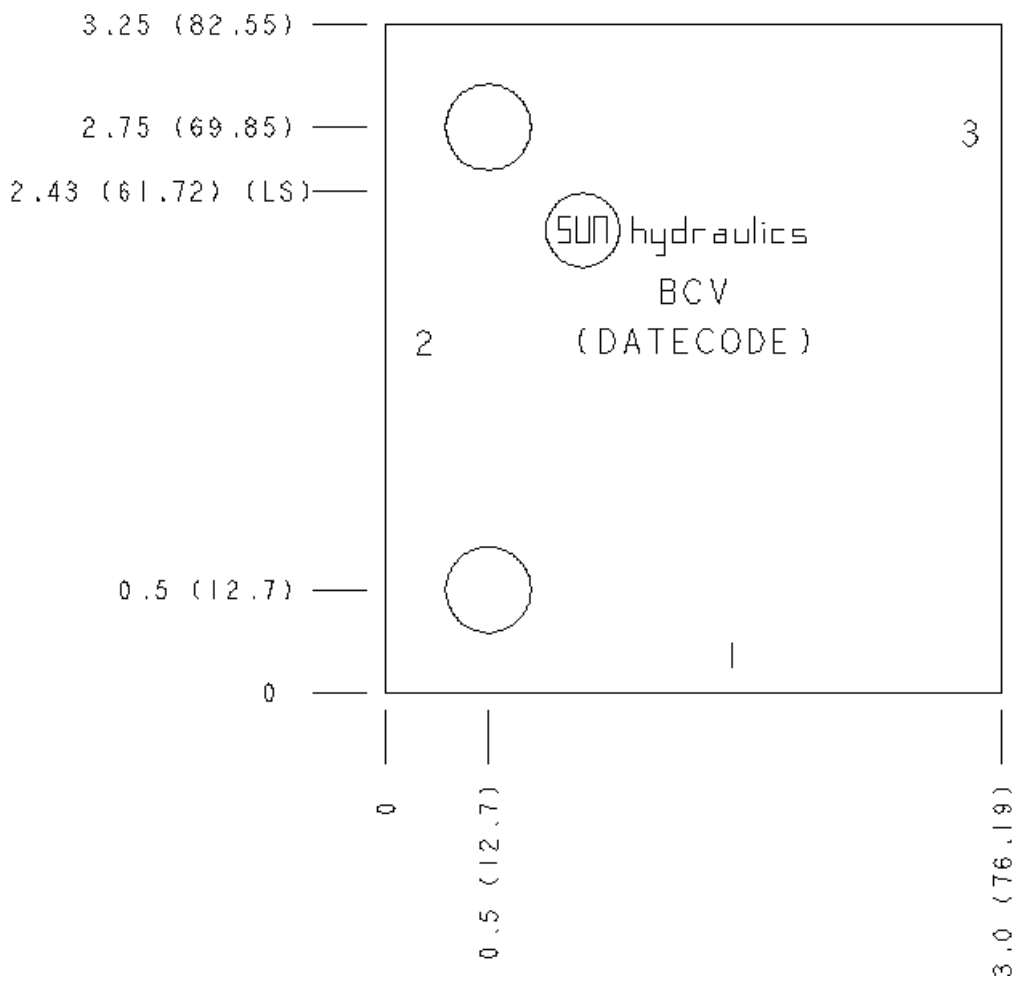
Face 2



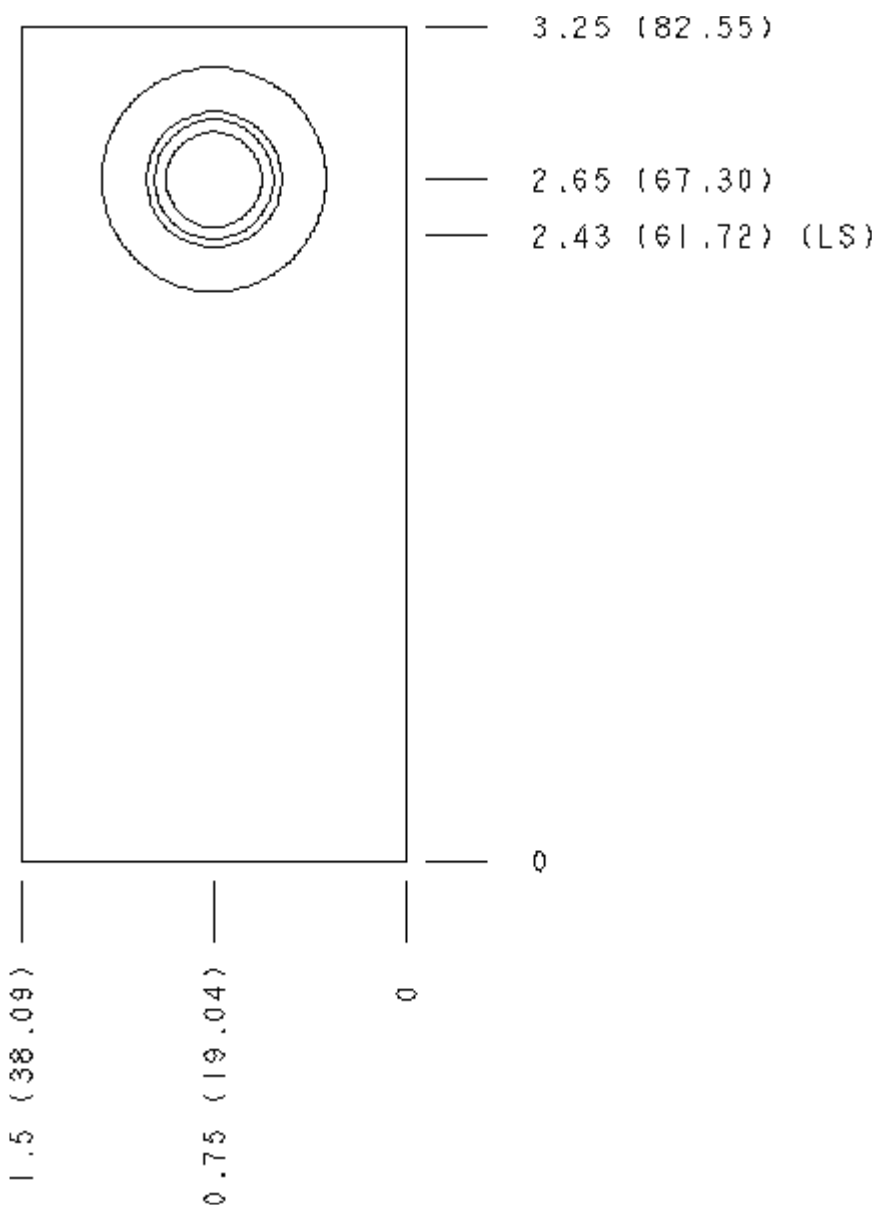
Face 5



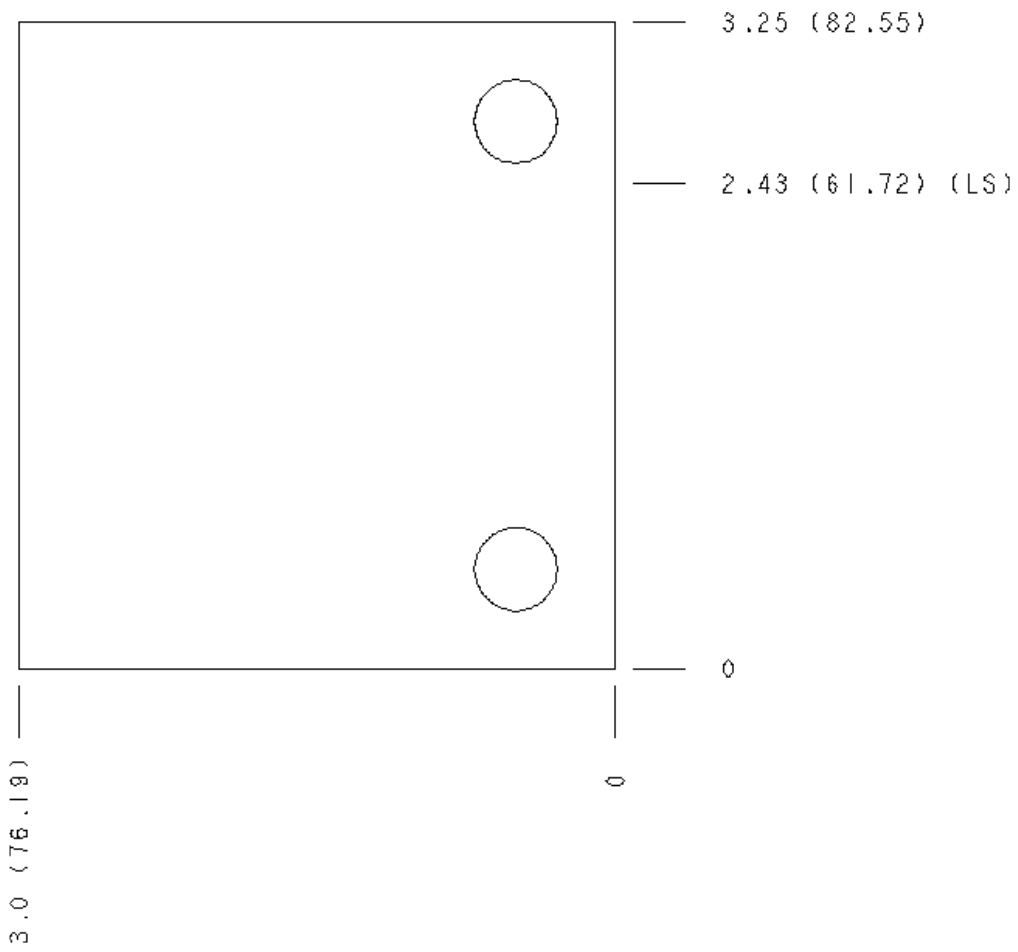
Face 6



Face 7



Face 8



Face 10

