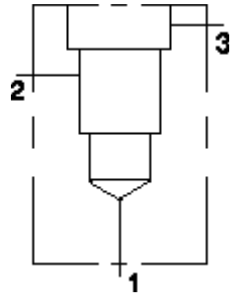
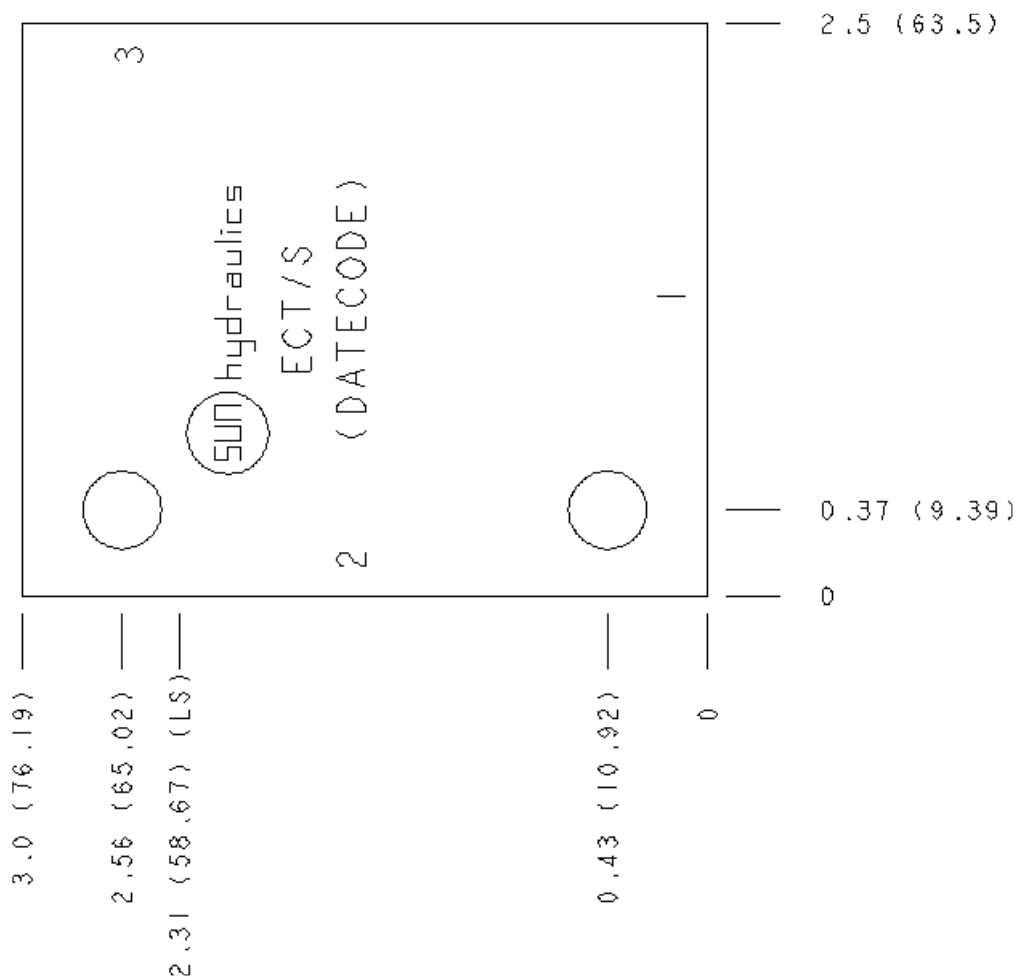


Functional Group:  
**Products : Manifolds : Line Mount : Check : 3 Port : Ninety degree**

Model:  
**ECT/S**



**Face: 6**



**Port Headings and Sizes**

ECT All Ports 1/4" BSPP

**Technical Data**

	U.S. Units	Metric Units
Cavity		T-11A
Body Features		Ninety degree
Body Type		Line mount
Interface		None
Open Cavity Quantity		1
Mounting Hole Diameter	.34 in.	8.6 mm
Mounting Hole Depth		Through
Mounting Hole Quantity		2
Model Weight	1.96 lb.	0.89 kg.

**Option Selection**

U.S. Dollar ▼

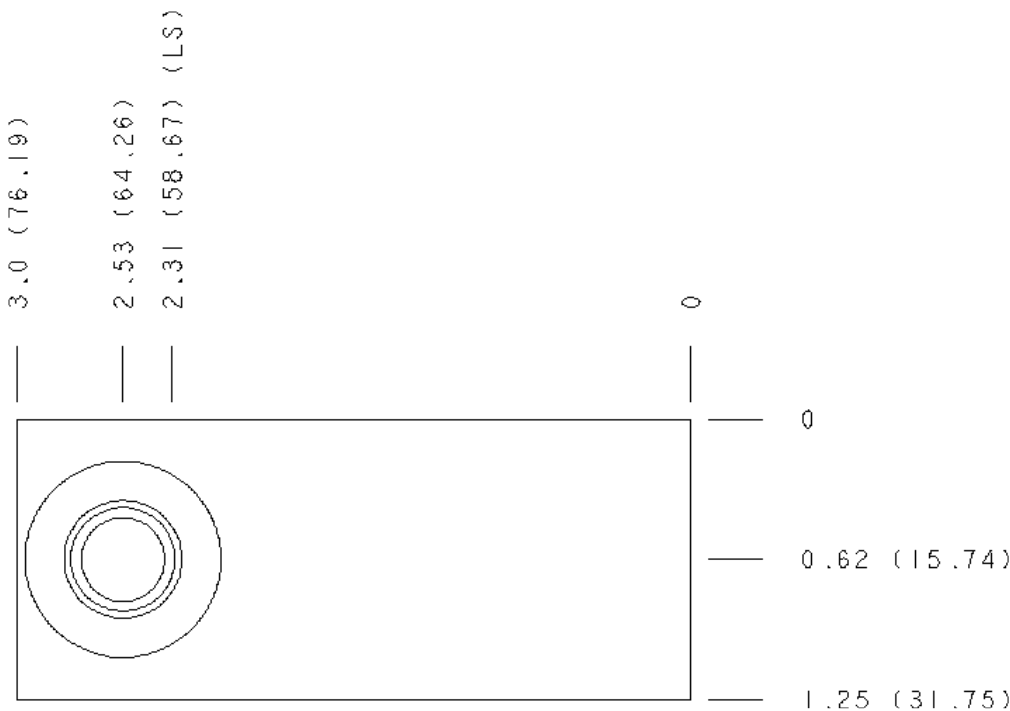
Aluminum Body Pressure Rating: **3000 psi (210 bar)**  
 Ductile Iron Body Pressure Rating: **5000 psi (350 bar)**

Model Code	Description
ECT	Aluminum, Buna-N, U.S. Units
ECT/S	Ductile Iron, Buna-N, U.S. Units

**Special Notes**

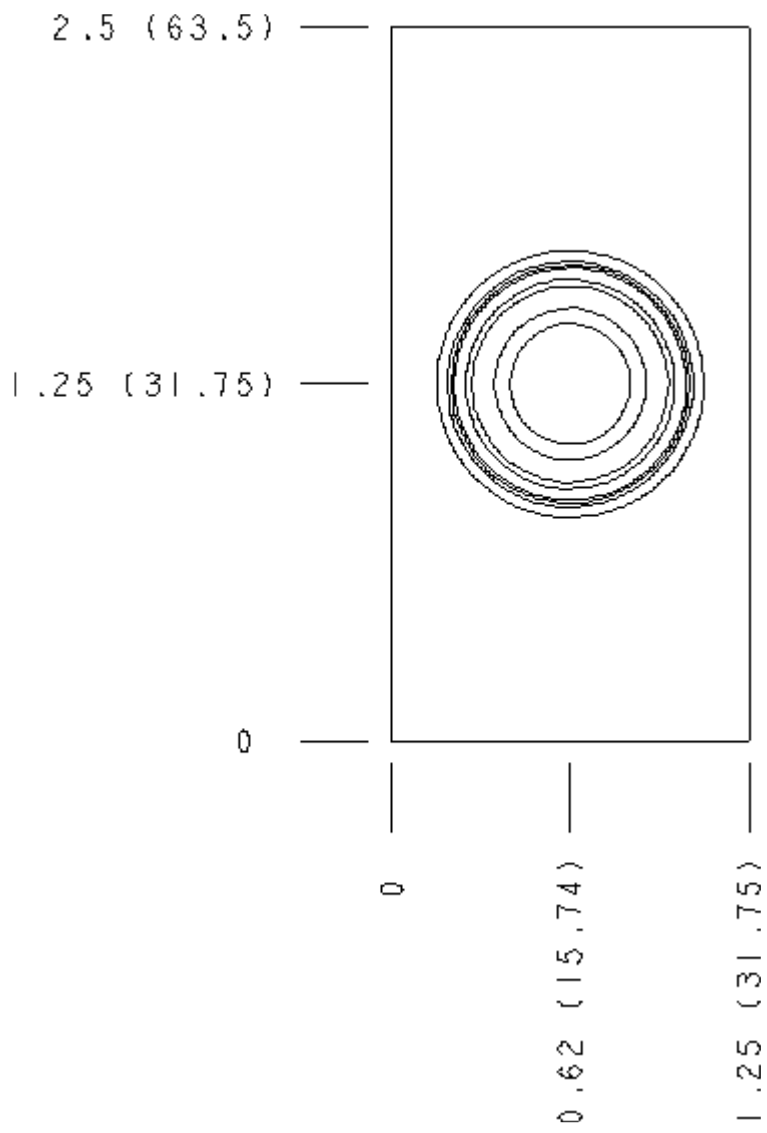
- Important:** Please carefully consider the maximum system pressure to which the manifold will be exposed. The pressure rating of the manifold is dependent on the manifold material, with the port type and sizing a secondary consideration. For example, manifolds constructed of aluminum are not rated for system pressures higher than 3000 psi (210 bar), regardless of the port type and size specified.

**Face 2**



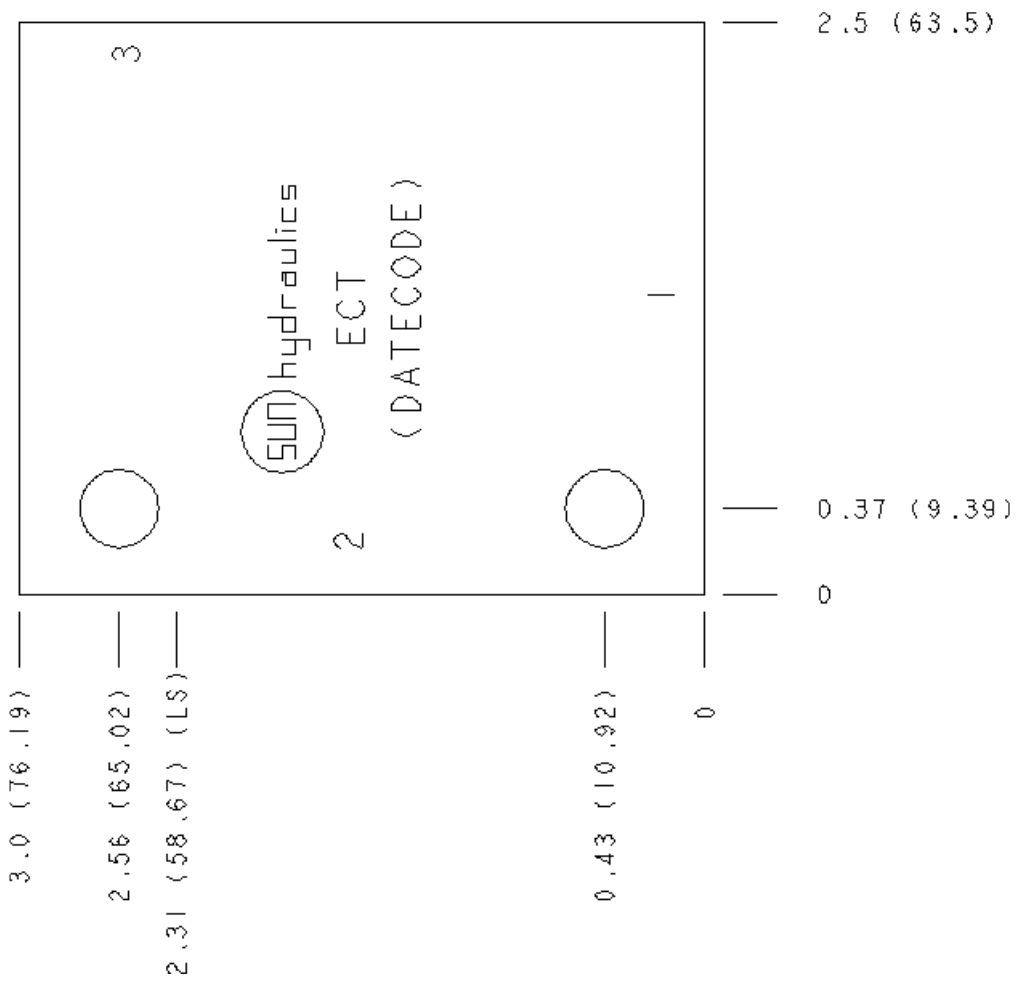
## Face 5

---

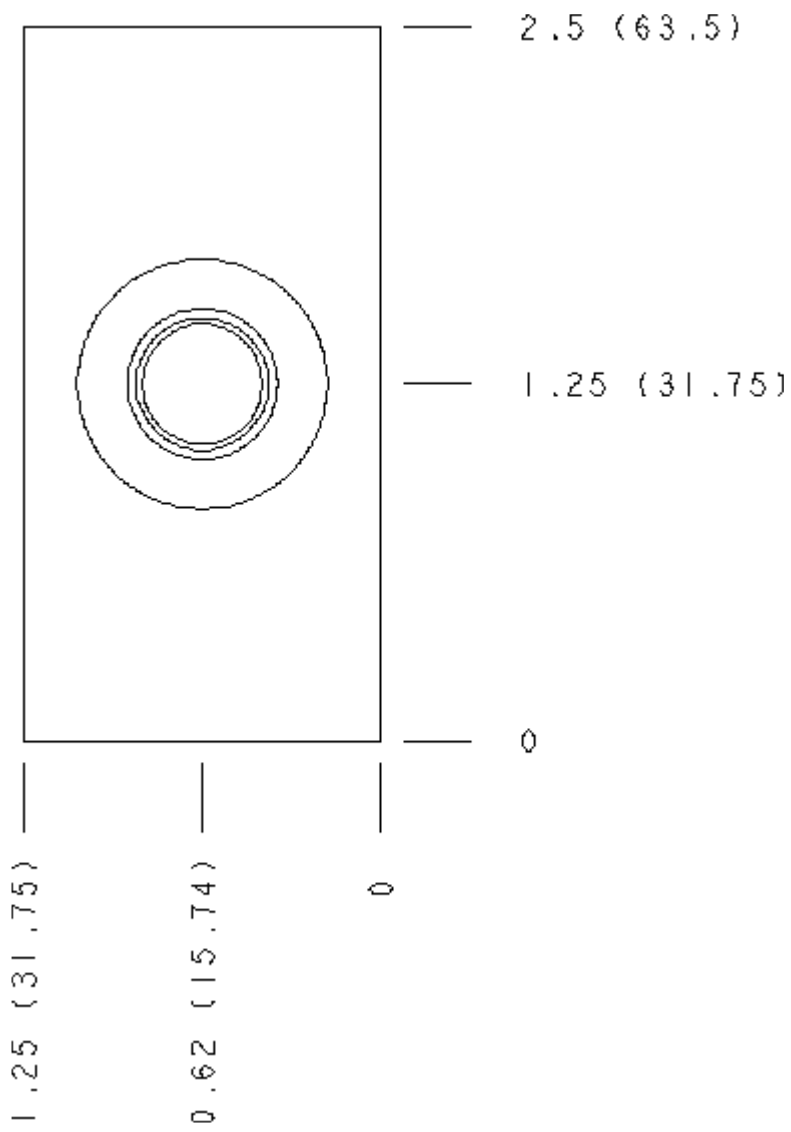


## Face 6

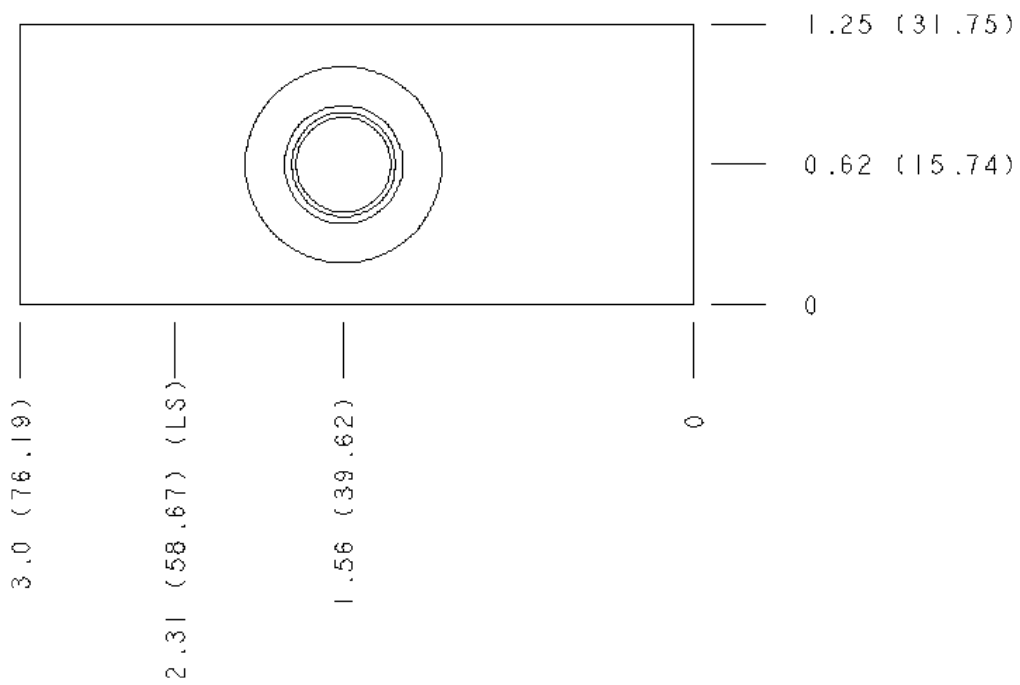
---



**Face 7**



### Face 10



---

**Copyright © 2002-2011 Sun Hydraulics Corporation. All rights reserved.  
Terms and Conditions - ISO Certification - Statement of Privacy**