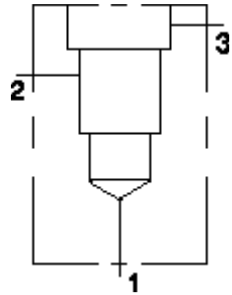


Functional Group:

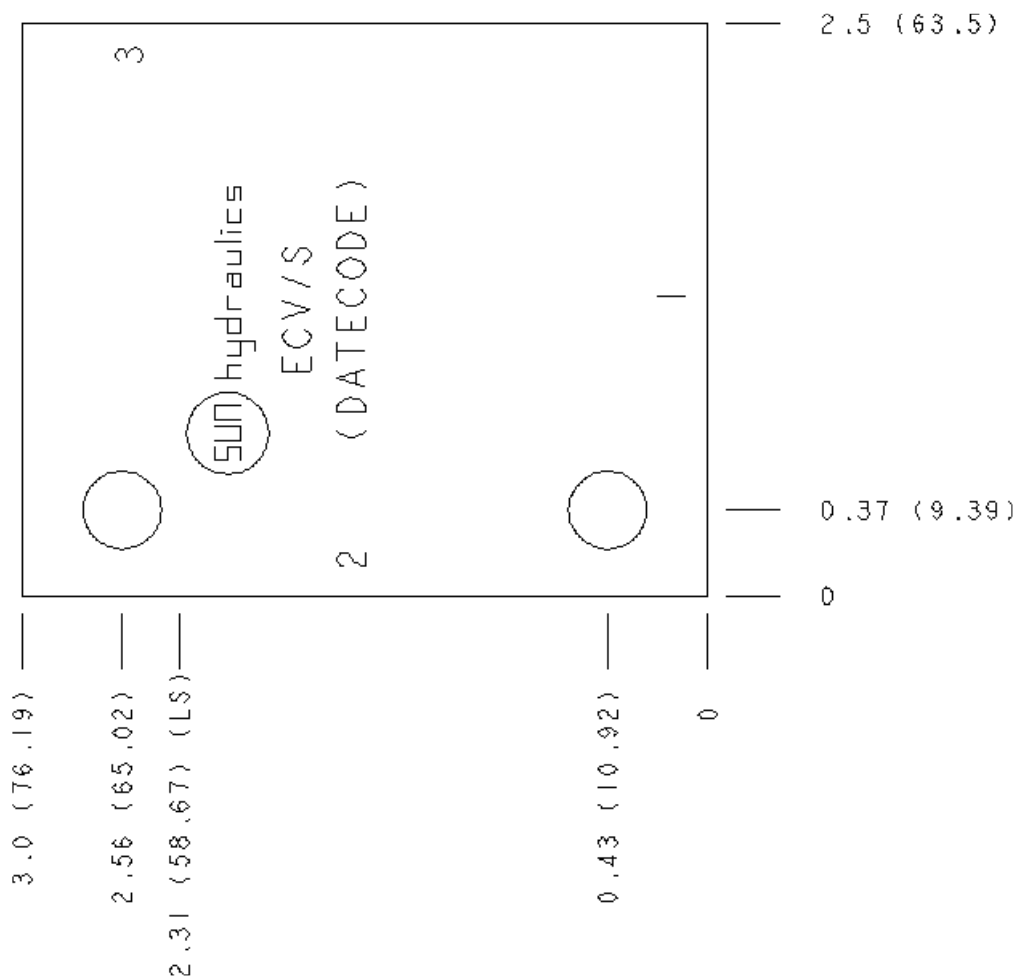
Products : Manifolds : Line Mount : Counterbalance : 3 Port : Ninety Degree

Model:

ECV/S



**Face: 6**



**Port Headings and Sizes**

ECV	Ports 1 & 2	1/2" BSPP
ECV	Port 3	1/4" BSPP

**Technical Data**

	U.S. Units	Metric Units
Cavity		T-11A
Body Features		Ninety degree
Body Type		Line mount
Interface		None
Open Cavity Quantity		1
Mounting Hole Diameter	.34 in.	8.6 mm
Mounting Hole Depth		Through
Mounting Hole Quantity		2
Model Weight	1.84 lb.	0.83 kg.

**Option Selection**

U.S. Dollar

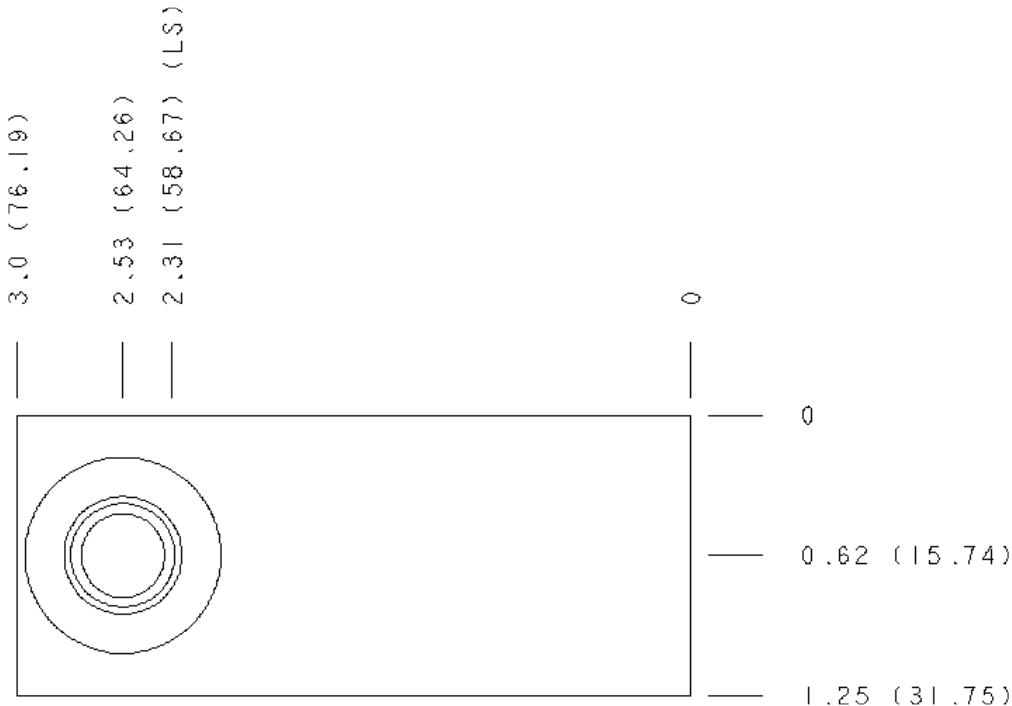
Aluminum Body Pressure Rating: **3000 psi (210 bar)**  
 Ductile Iron Body Pressure Rating: **5000 psi (350 bar)**

Model Code	Description
ECV	Aluminum, Buna-N, U.S. Units
ECV/S	Ductile Iron, Buna-N, U.S. Units

**Special Notes**

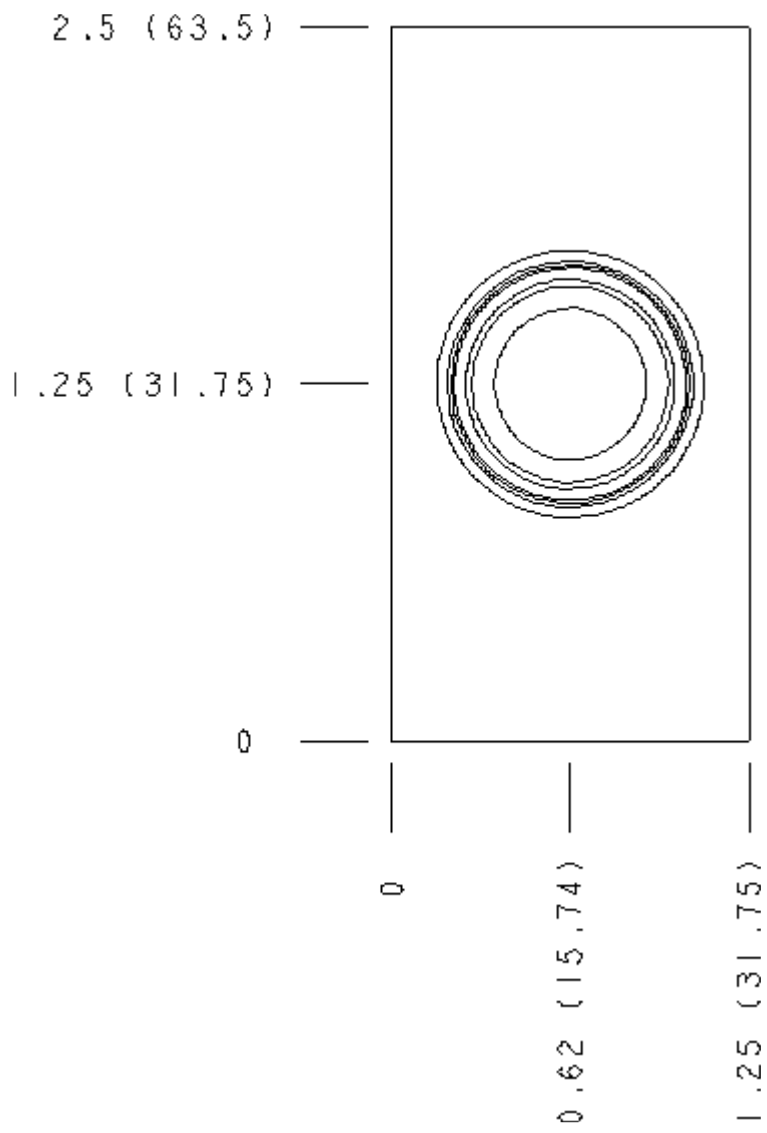
- Pressure ratings are dependent on manifold material. When choosing the material, be sure to consider the maximum system pressure to which the manifold will be exposed.

**Face 2**



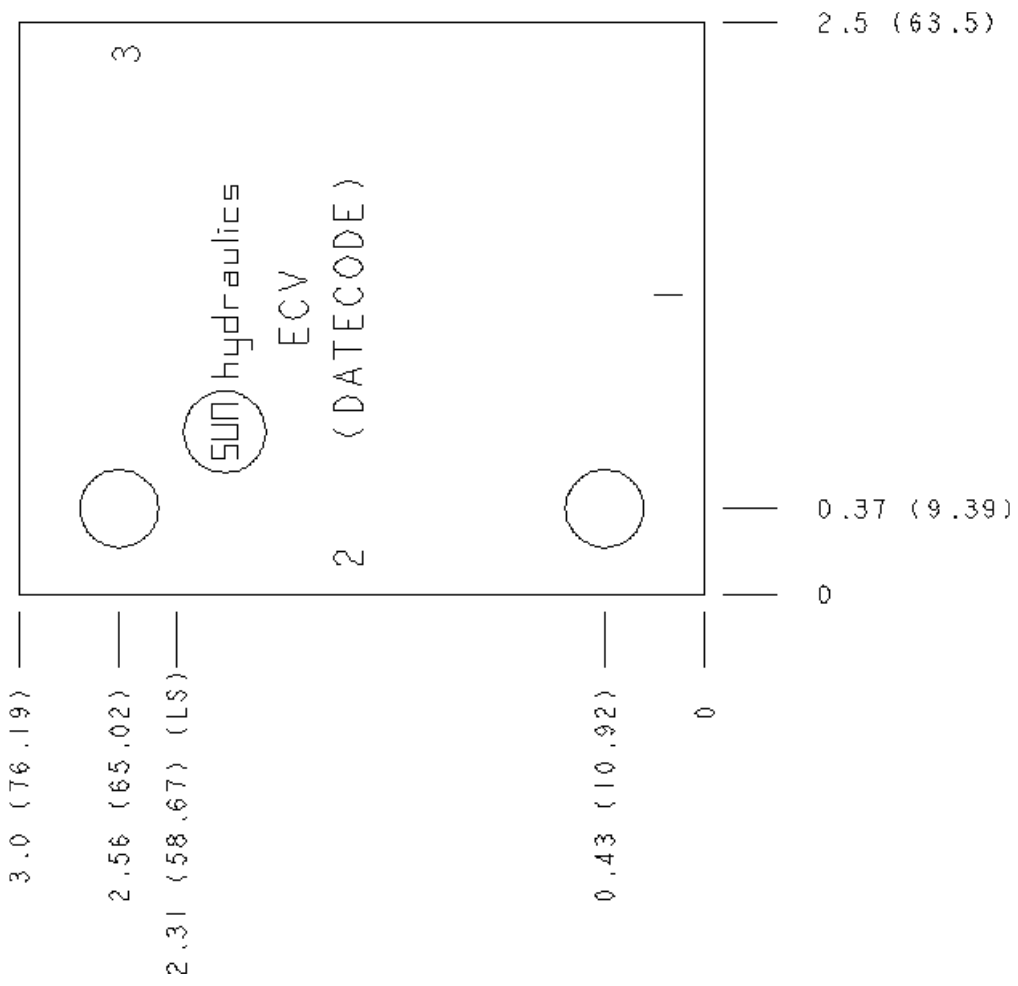
## Face 5

---

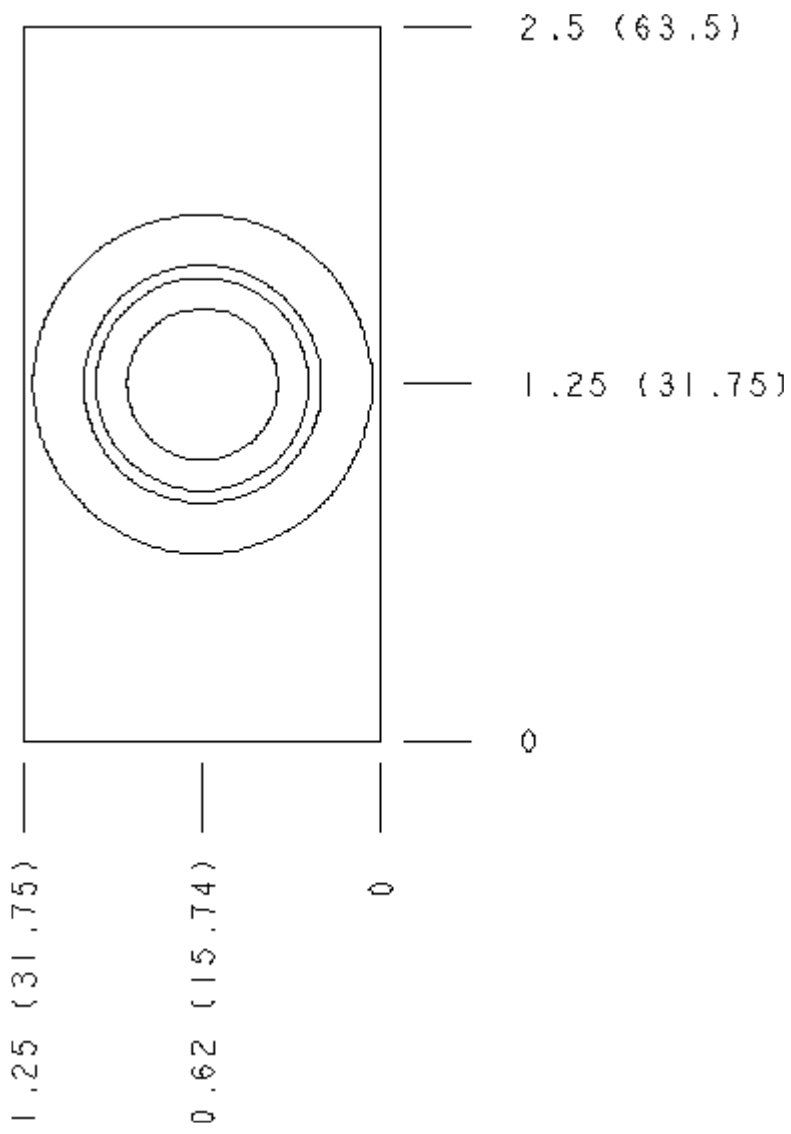


## Face 6

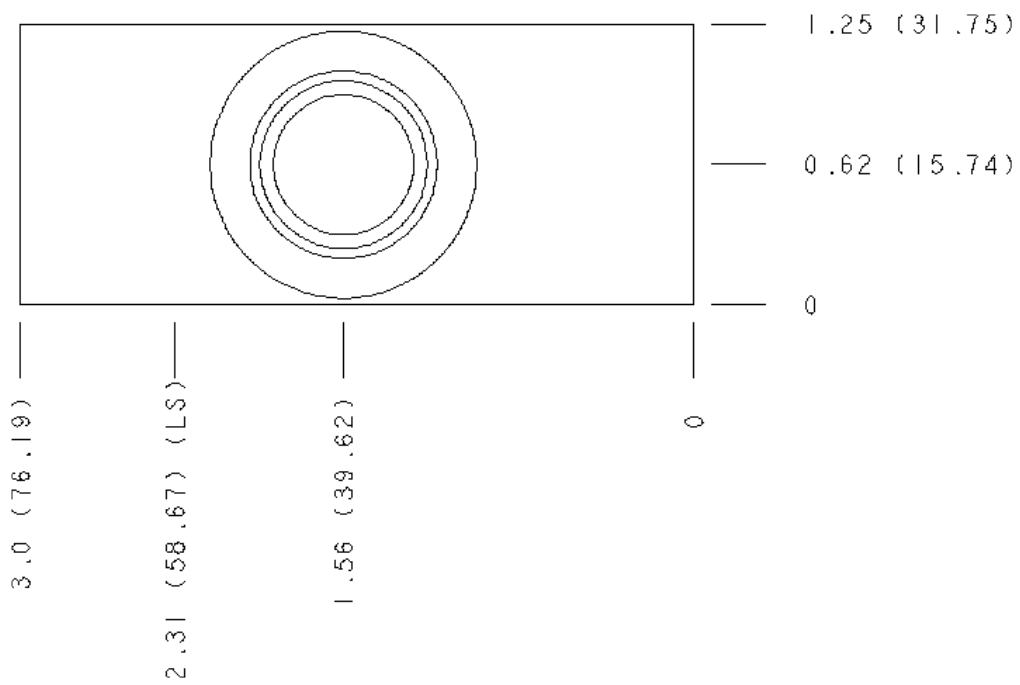
---



**Face 7**



**Face 10**



---

**Copyright © 2002-2011 Sun Hydraulics Corporation. All rights reserved.  
Terms and Conditions - ISO Certification - Statement of Privacy**