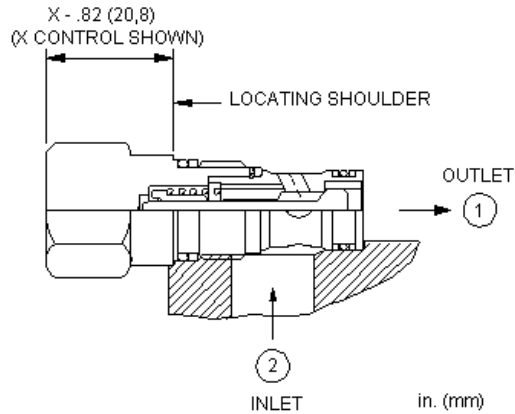


MODEL  
CXAD

Free flow side to nose check valve  
CAPACITY: 30 L/min. | CAVITY: T-162A



**CONFIGURATION**

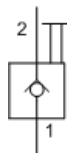
<b>X</b>	Control	Not Adjustable
<b>C</b>	Nominal Control Pressure	30 psi (2 bar)
<b>N</b>	Seal Material	Buna-N
<b>(none)</b>	Material/Coating	Standard Material/Coating

Free-flow, side-to-nose check valves are on/off circuit components that allow free flow from the inlet (port 2) to the outlet (port 1) and block flow in the opposite direction.

**TECHNICAL DATA**

Cavity	T-162A
Series	0
Capacity	30 L/min.
Maximum Operating Pressure	350 bar
Maximum Valve Leakage at 110 SUS (24 cSt)	0,07 cc/min.
Valve Hex Size	19,1 mm
Valve Installation Torque	27 - 34 Nm
Seal kit - Cartridge	Buna: 990-162-007
Seal kit - Cartridge	Polyurethane: 990-162-002
Seal kit - Cartridge	Viton: 990-162-006
Model Weight	0.08 kg.

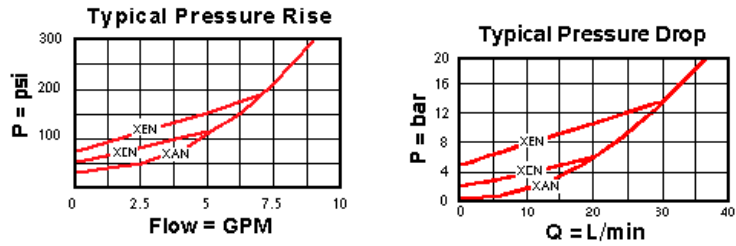
**SYMBOLS**



**TECHNICAL FEATURES**

- Two-port check valves share the same cavity for a given frame size, however, pay close attention as flow paths may be in opposite directions.
- These check valves are considered circuit savers for existing circuits where manifold drillings are incorrect. The capacity of side-to-nose (port 2 to port 1) 2-port check valves is approximately 30% less than preferred models with a nose-to-side (port 1 to port 2) flow path.
- Check valves offer extremely low leakage rates with a maximum leakage of less than 1 drop per minute (0,07 cc/min).
- Will accept 5000 psi (350 bar) at ports 1 and 2.
- Only available with 4, 30 and 75 psi (0,3, 2 and 5 bar) cracking pressures.
- Incorporates the Sun floating style construction to minimize the possibility of internal parts binding due to excessive installation torque and/or cavity/cartridge machining variations.

PERFORMANCE CURVES



CONFIGURATION OPTIONS

CONTROL

Preferred Options	X	Not Adjustable
-------------------	---	----------------

NOMINAL CONTROL PRESSURE

Preferred Options	C	30 psi (2 bar)
Standard Options	A	4 psi (0,3 bar)
	D	50 psi (3,5 bar)
	E	75 psi (5 bar)
	Z	1 psi (0,07 bar)

SEAL MATERIAL

Preferred Options	N	Buna-N
Standard Options	V	Viton

MATERIAL/COATING

Standard Options		Standard Material/Coating
	/AP	Stainless Steel, Passivated

Copyright © 2002-2014 Sun Hydraulics Corporation. All rights reserved.