

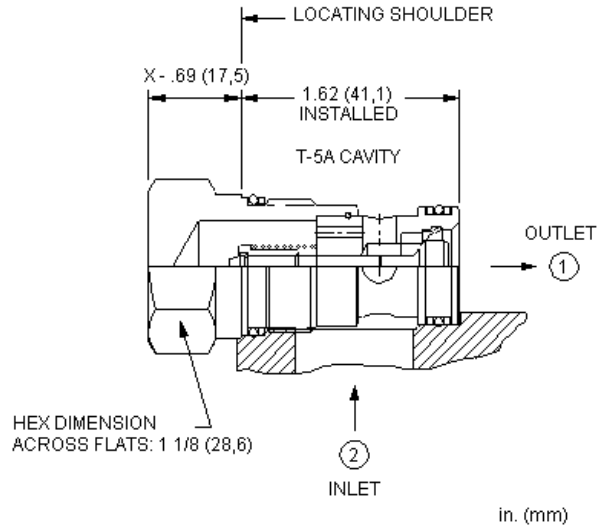
MODEL  
CXEB

Free flow side to nose check valve with Delrin seat  
CAPACITY: 120 L/min. | CAVITY: T-5A



**CONFIGURATION**

<b>X</b>	Control	Not Adjustable
<b>C</b>	Cracking Pressure	30 psi (2 bar)
<b>N</b>	Seal Material	Buna-N



Free-flow, side-to-nose check valves are on/off circuit components that allow free flow from the inlet (port 2) to the outlet (port 1) and block flow in the opposite direction.

**TECHNICAL DATA**

Cavity	T-5A
Series	2
Capacity	120 L/min.
Maximum Operating Pressure	210 bar
Maximum Valve Leakage at 110 SUS (24 cSt)	0,07 cc/min.
Valve Hex Size	28,6 mm
Valve Installation Torque	61 - 68 Nm
Seal kit - Cartridge	Buna: 990-203-007
Seal kit - Cartridge	Viton: 990-203-006
Model Weight	0.16 kg.

**TECHNICAL FEATURES**

- The Delrin seat is suitable for dirty, medium pressure systems that are not subjected to high flows or temperatures.
- Two-port check valves share the same cavity for a given frame size, however, pay close attention as flow paths may be in opposite directions.
- These check valves are considered circuit savers for existing circuits where manifold drillings are incorrect. The capacity of side-to-nose (port 2 to port 1) 2-port check valves is approximately 30% less than preferred models with a nose-to-side (port 1 to port 2) flow path.
- Check valves offer extremely low leakage rates with a maximum leakage of less than 1 drop per minute (0,07 cc/min).
- Will accept 5000 psi (350 bar) at ports 1 and 2.
- Incorporates the Sun floating style construction to minimize the possibility of internal parts binding due to excessive installation torque and/or cavity/cartridge machining variations.

**CONFIGURATION OPTIONS**

**CONTROL**

Standard Options	X	Not Adjustable
------------------	---	----------------

---

**CRACKING PRESSURE**

---

	<b>A</b>	4 psi (0,3 bar)
	<b>B</b>	15 psi (1 bar)
	<b>C</b>	30 psi (2 bar)
<b>Standard Options</b>	<b>D</b>	50 psi (3,5 bar)
	<b>E</b>	75 psi (5 bar)
	<b>F</b>	100 psi (7 bar)
	<b>Z</b>	1 psi (0,07 bar)

---

**SEAL MATERIAL**

---

<b>Standard Options</b>	<b>N</b>	Buna-N
	<b>V</b>	Viton

---

Copyright © 2002-2014 Sun Hydraulics Corporation. All rights reserved.