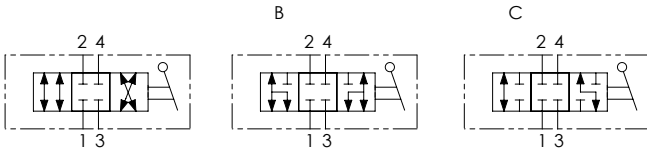


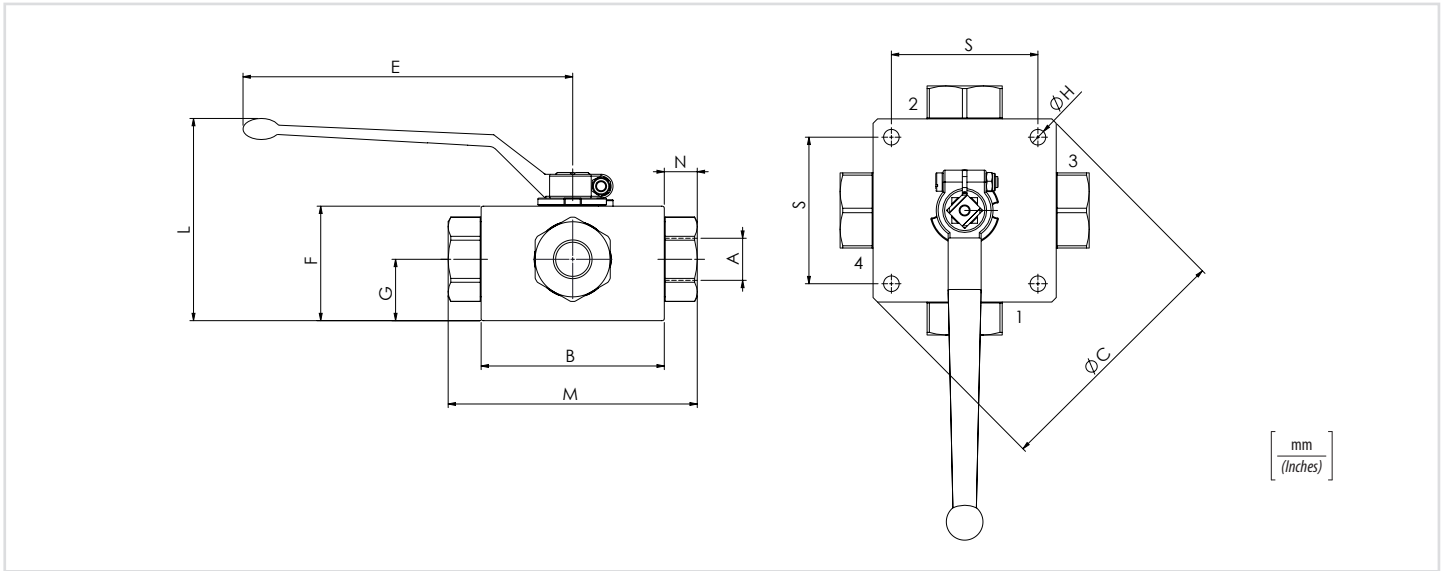
Schema idraulico - Hydraulic circuit



Dati tecnici - Technical data

| | | | |
|--|---|--------------|--|
| olio idraulico/Mineral oil | ISO 6743/4 (DIN 51524) | | |
| Viscosità olio/Oil viscosity | 15-250 mm ² /s (15 to 250 cSt) | | |
| Classe di contaminazione max con filtro | ISO 4406:1999 Classe 19/17/14 | | |
| Max contamination index with filter | | | |
| Temperatura dell'olio/Oil temperature | -20°C +80°C | -4°F + 176°F | |
| Temperatura ambiente/Ambient temperature | -20°C +50°C | -4°F + 122°F | |
| È indispensabile l'utilizzo di un filtro per proteggere la valvola (filtrazione consigliata 15 µm) | | | |
| It is necessary a filter use to protect the valve (advised filtration 15 µm) | | | |

| Codice ordinazione Ordering code | | 01 | 02 | 03 | 04 | 05 |
|-------------------------------------|--|-------------|----------------------------------|------------|----|-------------|
| | | RAS4 | | NPT | | P |
| 01 | Valvole a sfera a 4 vie (4 ways ball valves) | | | | | RAS4 |
| 02 | Dimensione (Size) | | NPT 1/4 | | | 140 |
| | | | NPT 3/8 | | | 380 |
| | | | NPT 1/2 | | | 120 |
| | | | NPT 3/4 | | | 340 |
| | | | NPT 1 | | | 100 |
| | | | NPT 1-1/4 | | | 114 |
| | | | NPT 1-1/2 | | | 112 |
| 03 | Filettatura (Thread) | | NPT | | | NPT |
| 04 | Schema (Circuit) | | Standard | | | / |
| | | | Schema B | | | B |
| | | | Schema C | | | C |
| 05 | Optional | | Fori di fissaggio (Fixing ports) | | | P |



Caratteristiche tecniche - Technical characteristics

| Tipo Type | A | Portata max Max flow l/min-USgpm | Pressione max Max pressure bar/PSI | B | C | E | F | G | H | L | M | N | S | Peso approssimativo Approx weight kg/lb |
|-------------------|------------------|----------------------------------|------------------------------------|-------------------|---|---------------------|--------------------|--------------------|---------------------|--------------------|---------------------|--------------------|--------------------|---|
| RAS4140NPT | NPT 1/4 | 25 (6.6) | 500 (7250) | 70 (2.76) | / | 110 (4.33) | 42 (1.65) | 21,5 (0.85) | 6,5 (0.26) | 97,5 (3.84) | 100 (3.94) | 15,5 (0.61) | 55 (2.17) | 1,80 (3.96) |
| RAS4380NPT | NPT 3/8 | 35 (9.2) | 400 (5800) | 80 (3.15) | | 180 (7.09) | 53 (2.09) | 28,5 (1.12) | | 101 (3.98) | 115 (4.53) | | 65 (2.56) | 3 (6.60) |
| RAS4120NPT | NPT 1/2 | 60 (15.8) | 350 (5075) | 100 (3.94) | | 110 (4.33) | 62 (2.44) | 33 (1.30) | 8,5 (0.33) | 110 (4.33) | 136 (5.35) | 17 (0.67) | 80 (3.15) | 5,2 (11.44) |
| RAS4340NPT | NPT 3/4 | 100 (26.4) | | 113 (4.45) | | 116,5 (4.59) | 156 (6.14) | 21 (0.83) | | 6,9 (15.18) | | | | |
| RAS4100NPT | NPT 1 | 150 (89.6) | | 118 (4.65) | | 138 (5.43) | 300 (11.81) | 82 (3.23) | | 47,5 (1.87) | 130,5 (5.14) | 181 (7.13) | 24 (0.94) | 85 (3.35) |
| RAS4114NPT | NPT 1-1/4 | | 118 (4.65) | 138 (5.43) | | 300 (11.81) | 82 (3.23) | 47,5 (1.87) | 130,5 (5.14) | 181 (7.13) | 24 (0.94) | 85 (3.35) | 9,2 (20.24) | |
| RAS4112NPT | NPT 1-1/2 | | 118 (4.65) | 138 (5.43) | | 300 (11.81) | 82 (3.23) | 47,5 (1.87) | 130,5 (5.14) | 181 (7.13) | 24 (0.94) | 85 (3.35) | 9,2 (20.24) | |