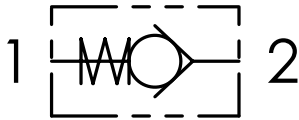




Schema idraulico - Hydraulic circuit



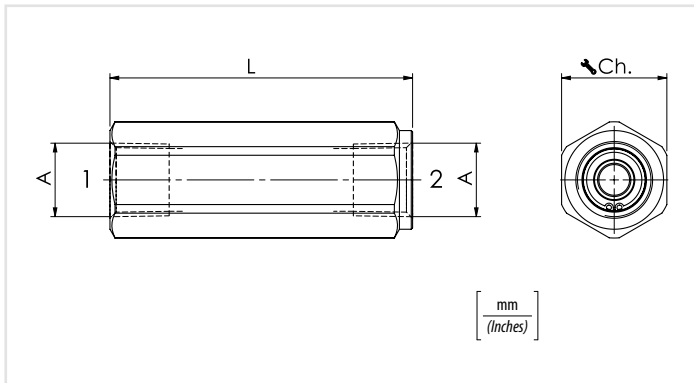
Codice ordinazione
Ordering code

	01	02	03	04	05
	XVUR		N	SP	

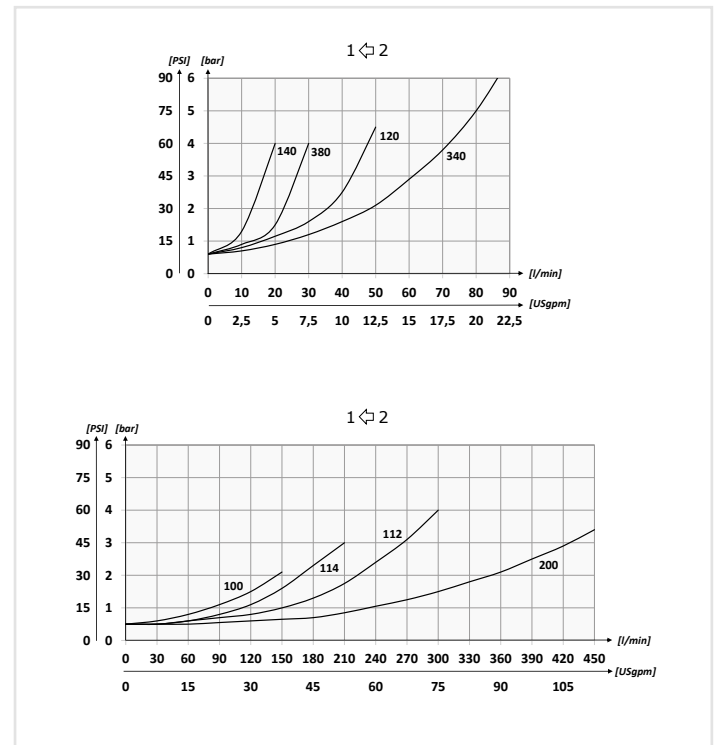
01	Valvole unidirezionali a colonnetta F/F (F/F check housing stainless)		XVUR
02	Dimensione (Size)	1/4 NPTF	140
		3/8 NPTF	380
		1/2 NPTF	120
		1 NPTF	100
		1-1/4 NPTF	114
		1-1/2 NPTF	112
03	Filettatura (Thread)	NPTF	N
04	Tenuta (Sealing)	Tenuta a cono (Poppet sealing)	SP
05	Molla (Spring)	0,5 bar Standard (7.25 PSI)	0,5

Dati tecnici - Technical data

Particolare / Component	Materiale / Material
Corpo / Body	1.4404 (AISI 316L)
Molla / Spring	1.4404 (AISI 316L)
Otturatore / Poppet	1.4404 (AISI 316L)
Spingimolla / Spring Spacer	1.4404 (AISI 316L)



Performances



Caratteristiche tecniche - Technical characteristics

Tipo Type	A	Portata Max (l/min) Max flow (USgpm)	Pressione max (bar) Max Pressure (PSI)	L	Ch.	Peso approssimativo (kg) Approx weight (lb)
XVUR140N	1/4 NPTF	15 (4)	400 (5800)	58 (2.28)	19	0,10 (0.22)
XVUR380N	3/8 NPTF	30 (7.9)		69 (2.72)	24	0,18 (0.40)
XVUR120N	1/2 NPTF	50 (13.2)		75 (2.95)	27	0,23 (0.50)
XVUR340N	3/4 NPTF	90 (23.8)		88,5 (3.48)	35	0,45 (1)
XVUR100N	1 NPTF	150 (39.6)	350 (5075)	110 (4.33)	41	0,75 (1.7)
XVUR114N	1-1/4 NPTF	200 (52.8)		120 (4.72)	55	1,5 (3.3)
XVUR112N	1-1/2 NPTF	300 (79.2)		138 (5.43)	60	2,6 (5.7)
XVUR200N	2 NPTF	430 (113.5)			75	3 (6.60)