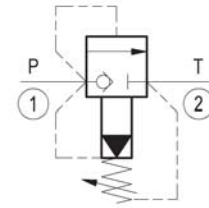
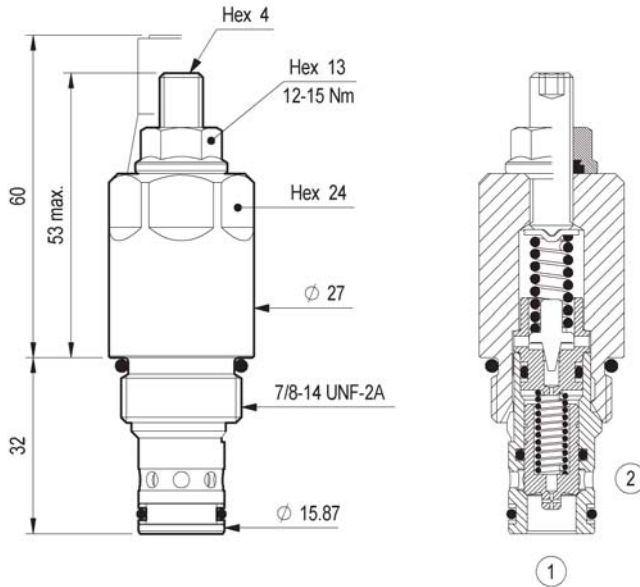
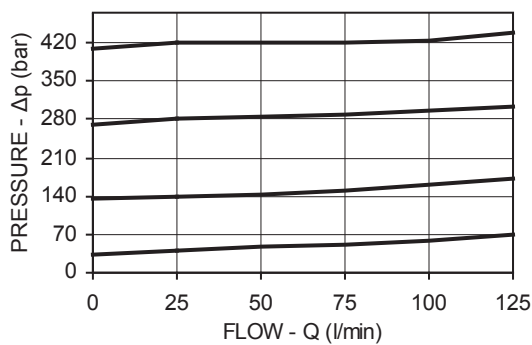


New



TECHNICAL DATA

Max. pressure :	420	bar
Max. flow :	120	l/min
Cavity - Tooling (page 10.010) : CA-10A-2N		
External seal kit : see page 11.011		
Installation torque :	41-47	Nm
Weight :	0.210	kg



X ADJUSTMENTS

03 Leakproof hex. socket screw

SPRINGS

Z	SPRINGS		
	Adj. press. range bar	Press. increase bar/turn	Standard setting bar (Q=5 l/min)
10	35-140	48	100
20	70-280	88	200
35	140-420	140	350

OPTIONALS

Ordering code	Description
11.04.23.002	 Tamperproof cap