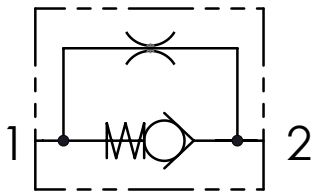
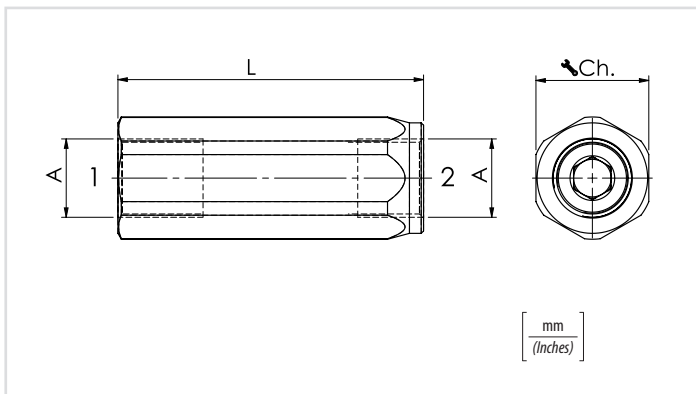


Schema idraulico - Hydraulic circuit



Dati tecnici - Technical data

|  |   |              |
|--|---|--------------|
| Olio idraulico/Mineral oil   | ISO 6743/4 (DIN 51524)                    |              |
| Viscosità olio/Oil viscosity   | 15-250 mm <sup>2</sup> /s (15 to 250 cSt) |              |
| Classe di contaminazione max con filtro<br>Max contamination index with filter   | ISO 4406:1999 Classe 19/17/14             |              |
| Temperatura dell'olio/Oil temperature  | -20°C +80°C                               | -4°F + 176°F |
| Temperatura ambiente/Ambient temperature   | -20°C +50°C                               | -4°F + 122°F |
| È indispensabile l'utilizzo di un filtro per proteggere la valvola (filtrazione consigliata 15 µm)<br>It is necessary a filter use to protect the valve (advised filtration 15 µm) |   |              |

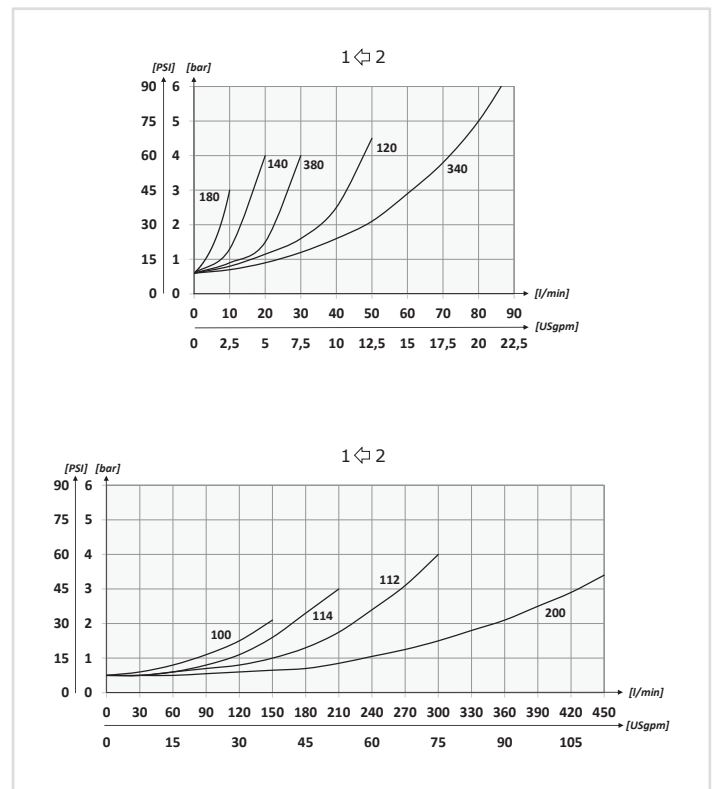


Codice ordinazione  
Ordering code

|            |    |           |    |    |
|------------|----|-----------|----|----|
| 01         | 02 | 03        | 04 | 05 |
| <b>VUR</b> |    | <b>SP</b> |    |    |

|           |  |   |            |
|-----------|--|---|------------|
| <b>01</b> | Valvole unidirezionali F/F a colonnetta con foro di strozzatura (F/F check housing valves with restriction hole) | <b>VUR</b>  |            |
| <b>02</b> | Dimensione (Size)  | BSPP 1/8  | <b>180</b> |
|           |  | BSPP 1/4  | <b>140</b> |
|           |  | BSPP 3/8  | <b>380</b> |
|           |  | BSPP 1/2  | <b>120</b> |
|           |  | BSPP 3/4  | <b>340</b> |
|           |  | BSPP 1  | <b>100</b> |
|           |  | BSPP 1-1/4  | <b>114</b> |
| <b>03</b> | Tenuta (Sealing)   | Tenuta a cono (Poppet sealing)  | <b>SP</b>  |
|           |  | 1 bar Standard (14.5 PSI)   | <b>1</b>   |
|           |  | 3 bar (43.5 PSI)  | <b>3</b>   |
|           |  | 4,5 bar (65.25 PSI)   | <b>4,5</b> |
| <b>04</b> | Molla (Spring)   | 6 bar (87 PSI)  | <b>6</b>   |
|           |  |   |            |
| <b>05</b> | Foro di strozzatura (Restriction hole)   | Indicare il diametro del foro. Esempio: VUR380SP1 con foro Ø 1,5 mm Cod. VUR380SP1-1,5<br>State the hole diameter Example: VUR380SP1-1,5 with Ø 0,06 in hole Cod. VUR380SP1-1,5 |            |

Performances



Caratteristiche tecniche - Technical characteristics

| Tipo<br>Type    | A          | Portata Max (l/min)<br>Max flow (USgpm) | Pressione max (bar)<br>Max Pressure (PSI) | L                  | Ch.       | Peso approssimativo (kg)<br>Approx weight (lb) |
|-----------------|------------|---|---|--------------------|-----------|--|
| <b>VUR180-H</b> | BSPP 1/8   | 5 (1.3)                                 | <b>400 (5800)</b>                         | <b>47 (1.85)</b>   | <b>14</b> | <b>0,05 (0.11)</b>                             |
| <b>VUR140-H</b> | BSPP 1/4   | 15 (4.0)                                |   | <b>55 (2.17)</b>   | <b>19</b> | <b>0,10 (0.22)</b>                             |
| <b>VUR380-H</b> | BSPP 3/8   | 30 (7.9)                                |   | <b>65 (2.56)</b>   | <b>24</b> | <b>0,18 (0.40)</b>                             |
| <b>VUR120-H</b> | BSPP 1/2   | 50 (13.2)                               |   | <b>75 (2.95)</b>   | <b>27</b> | <b>0,23 (0.50)</b>                             |
| <b>VUR340-H</b> | BSPP 3/4   | 90 (23.8)                               |   | <b>86,5 (3.41)</b> | <b>35</b> | <b>0,45 (1)</b>                                |
| <b>VUR100-H</b> | BSPP 1     | 150 (39.6)                              | <b>350 (5075)</b>                         | <b>110 (4.33)</b>  | <b>41</b> | <b>0,73 (1.6)</b>                              |
| <b>VUR114-H</b> | BSPP 1-1/4 | 200 (52.8)                              |   | <b>123 (4.84)</b>  | <b>55</b> | <b>1,5 (3.3)</b>                               |
| <b>VUR112-H</b> | BSPP 1-1/2 | 300 (79.2)                              |   | <b>138 (5.43)</b>  | <b>60</b> | <b>1,85 (4.07)</b>                             |
| <b>VUR200-H</b> | BSPP 2     | 430 (113.5)                             | <b>250 (3625)</b>                         | <b>145 (5.71)</b>  | <b>70</b> | <b>2,7 (6)</b>                                 |