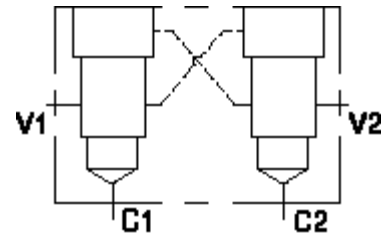
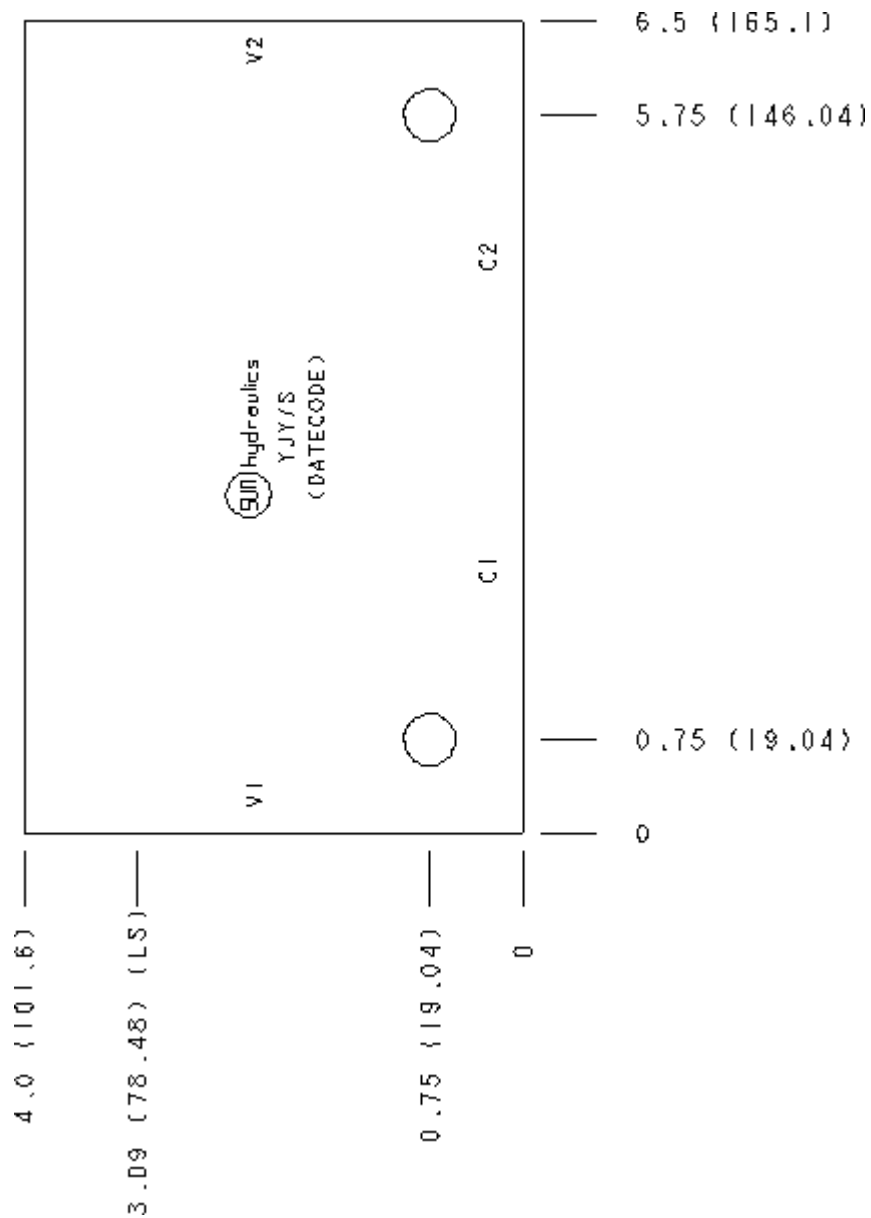


Functional Group:
Products : Manifolds : Line Mount : Counterbalance : 3 Port : Cross pilot

Model:
YJY/S



Face: 6



Port Headings and Sizes

YJY All Ports 1 1/4" BSPP

Technical Data

	U.S. Units	Metric Units
Cavity		T-17A
Body Features		Cross pilot
Body Type		Line mount
Interface		None
Open Cavity Quantity		2
Mounting Hole Diameter	.42 in.	10,7 mm
Mounting Hole Depth		Through
Mounting Hole Quantity		2
Model Weight	10.22 lb.	4.64 kg.

Option Selection

U.S. Dollar ▼

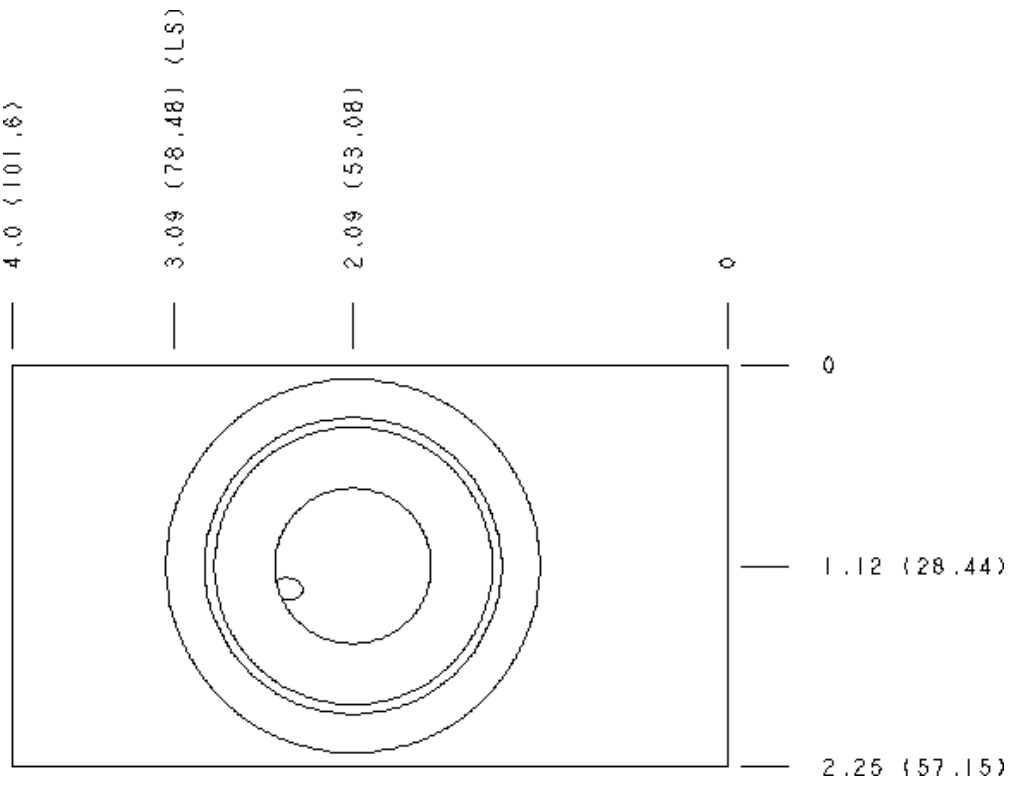
Aluminum Body Pressure Rating: **3000 psi (210 bar)**Ductile Iron Body Pressure Rating: **5000 psi (350 bar)**

Model Code	Description
YJY	Aluminum, Buna-N, U.S. Units
YJY/S	Ductile Iron, Buna-N, U.S. Units

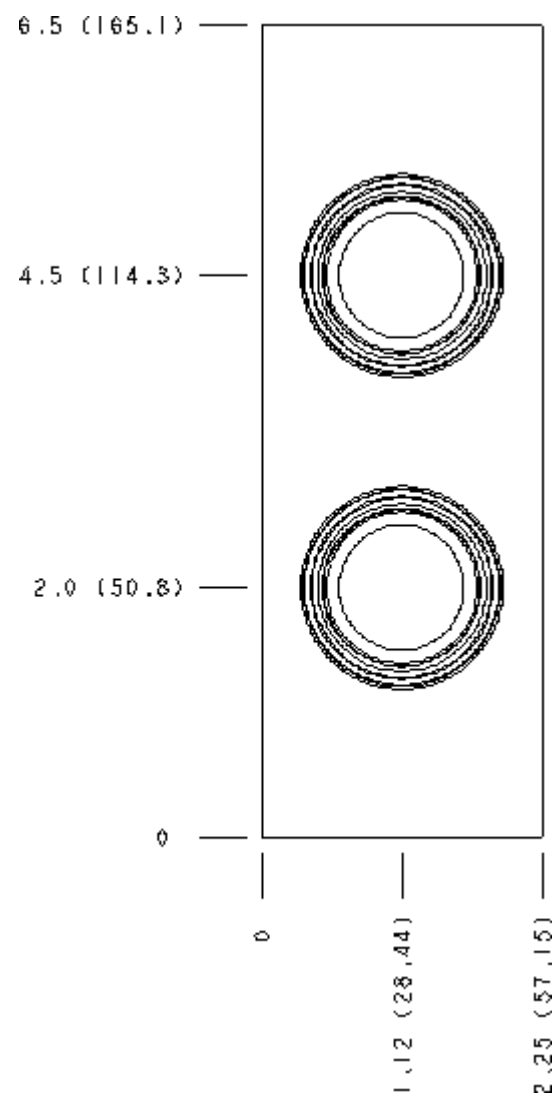
Special Notes

- **Important:** Please carefully consider the maximum system pressure to which the manifold will be exposed. The pressure rating of the manifold is dependent on the manifold material, with the port type and sizing a secondary consideration. For example, manifolds constructed of aluminum are not rated for system pressures higher than 3000 psi (210 bar), regardless of the port type and size specified.

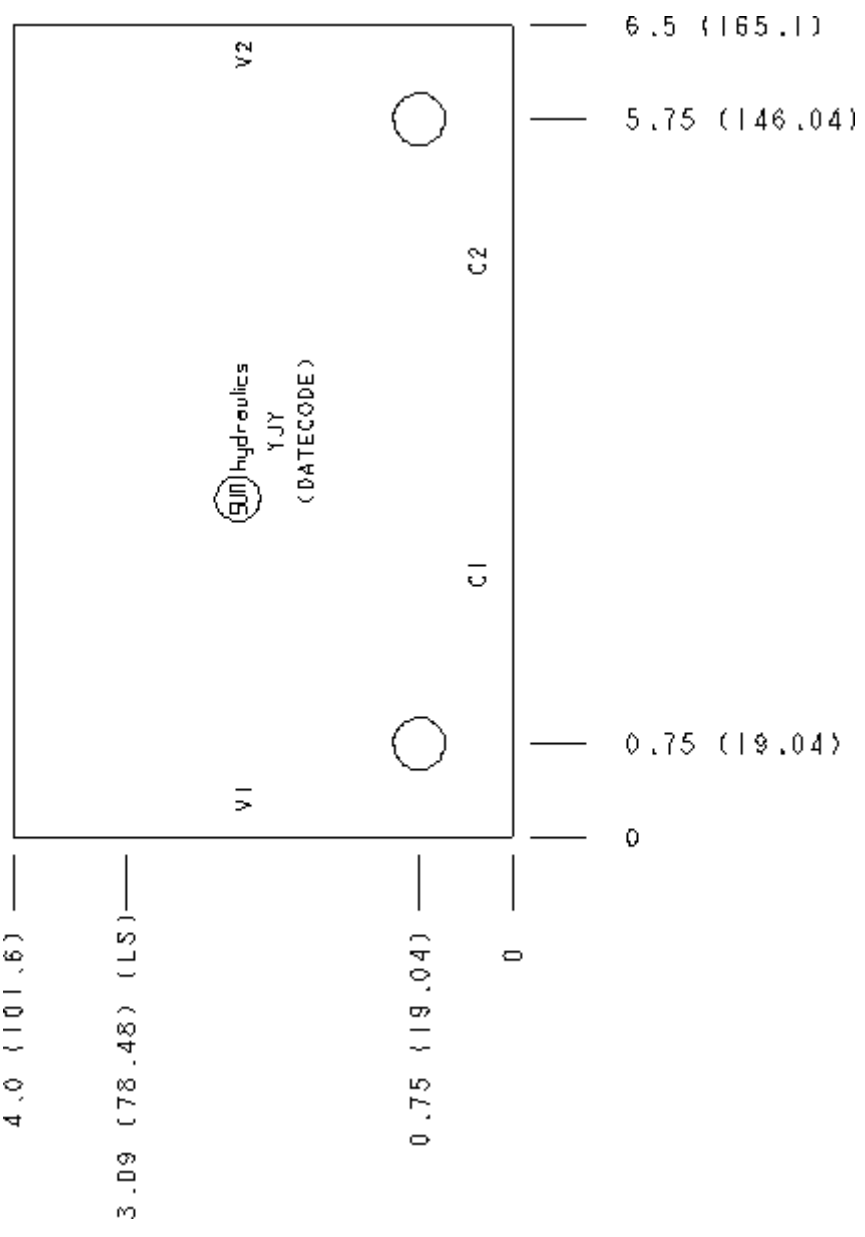
Face 2



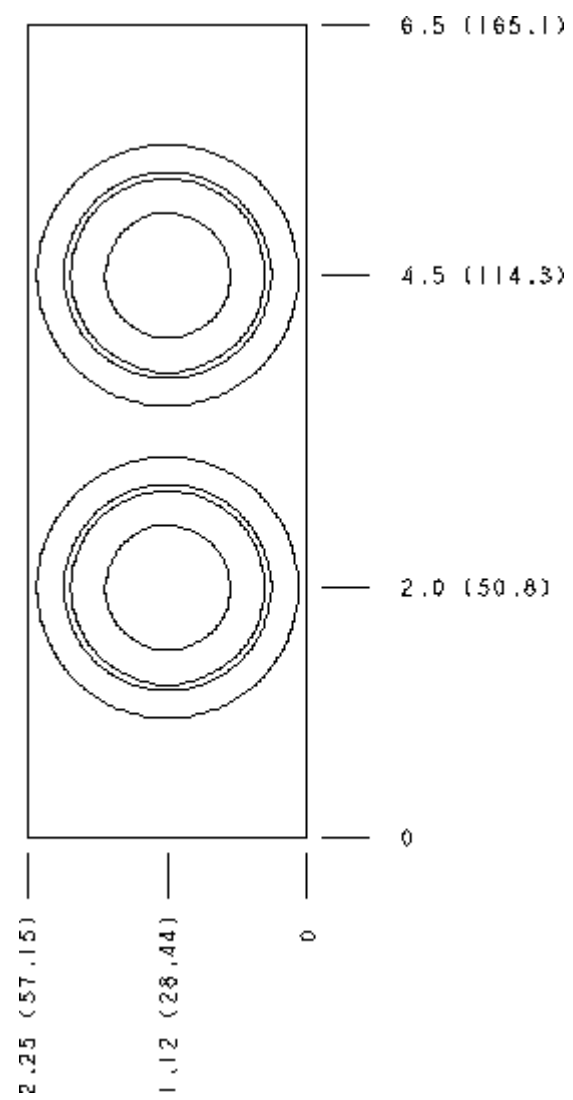
Face 5



Face 6



Face 7



Face 10

