

RE 18318-26/09.09

1/2

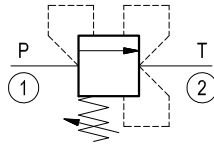
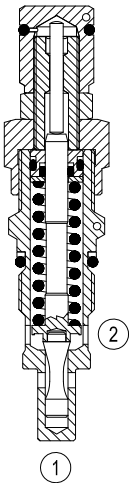
Replaces: RE 00162-02/01.06

# Relief, direct acting poppet type pressure compensated

## Special cavity, 008

VS-30-CC

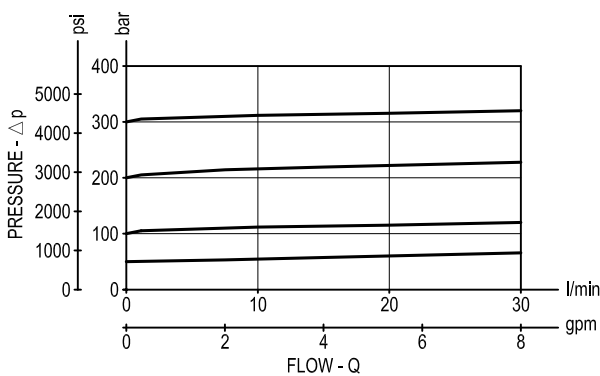
04.11.27 - X - 99 - Z



### Description

Flow is blocked from 1 to 2 until pressure increases to meet the selected valve setting, lifting the poppet from its seat and allowing relief flow through 2 to tank. The valve applies a balanced piston design allowing consistent relief operation at the valve setting independent of back-pressure at 2. The unique Bosch Rexroth Oil Control poppet design provides enhanced stability at all flows and pressures.

### Performance



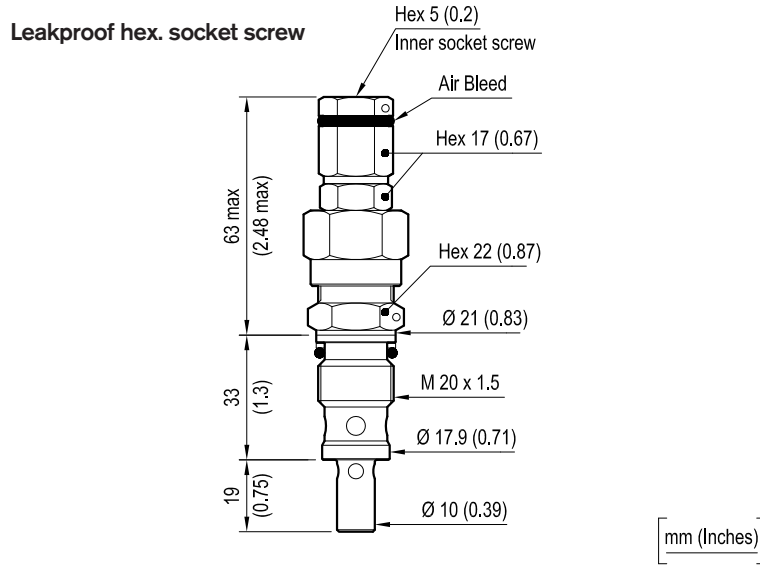
### Technical data

Max. operating pressure	bar (psi)	350 (5000)
Max. flow	l/min. (gpm)	30 (8)
Max. internal leakage (*)	drops/min.	15
Fluid temperature range	°C (°F)	-30 to 100 (-22 to 212)
Installation torque	Nm (ft-lbs)	46-51 (34-38)
Weight	kg (lbs)	0.17 (0.38)
Special cavity		008 see data sheet RE 18325-75
Seal kit (**)	code material no.	RG0008010520100 R930001693
Fluids		Mineral-based or synthetics with lubricating properties at viscosities of 10 to 500 mm <sup>2</sup> /s (cSt)
Filtration		Nominal value max. 10µm (NAS 8) ISO 4406 19/17/14
Installation		No restrictions
Other Technical Data		See data sheet RE 18350-50

(\*) at 80% of pressure setting

(\*\*) Only external seals for 10 valves

Dimensions



Ordering code

04.11.27	X	99	Z	00	*
----------	---	----	---	----	---

Series 0/A to L  
unchanged performances and dimensions

Relief, direct acting poppet type  
pressure compensated

Adjustments

= 03 Leakproof hex. socket screw

Special cavity, 008

Version and options standard

SPRINGS			
	Adj. press. range bar (psi) (*)	Pressure increase bar/turn (psi/turn)	Std. setting bar (psi) (Q=5 l/min)
= 05	5-50 (75-725)	11 (160)	50 (725)
= 10	30-100 (435-1450)	23 (334)	100 (1450)
= 20	50-210 (725-3000)	47 (682)	200 (2900)
= 35	100-350 (1450-5000)	82 (1189)	350 (5000)

**Note:** Special settings available. Contact factory authorized representative for ordering code  
(\*) minimum pressure setting intended with Q=5 l/min (1.3 gpm)

Type	Material number
04112703990500C	R901205122
04112703991000C	R930000163
04112703992000C	R901113629
04112703993500C	R987267936

Type	Material number