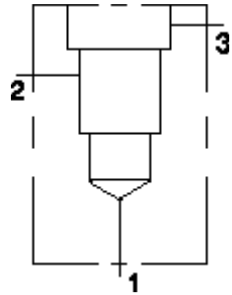


Functional Group:

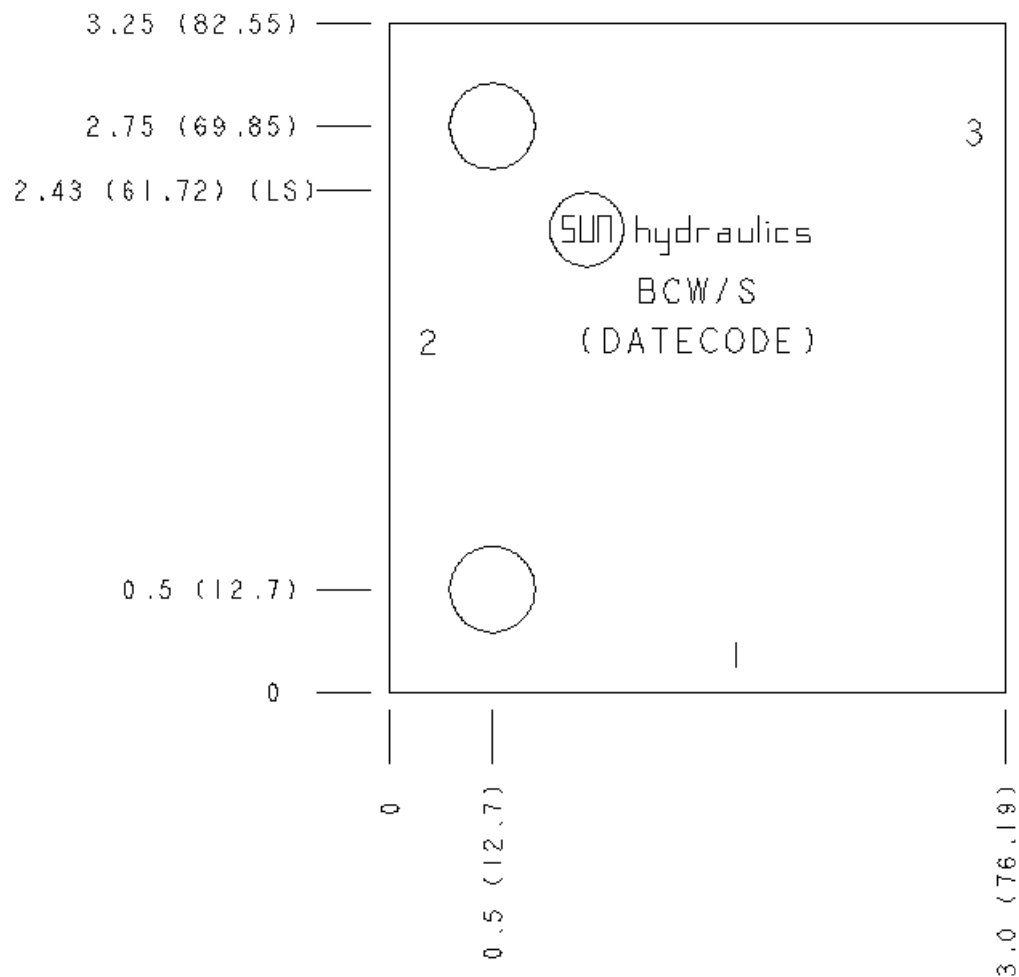
Products : Manifolds : Line Mount : Counterbalance : 3 Port : Ninety Degree

Model:

BCW/S



Face: 6



Port Headings and Sizes

BCW	Ports 1 & 2	3/4" BSPP
BCW	Port 3	1/4" BSPP

Technical Data

	U.S. Units	Metric Units
Cavity		T-2A
Body Features		Ninety degree
Body Type		Line mount
Interface		None
Open Cavity Quantity		1
Mounting Hole Diameter	.42 in.	10,7 mm
Mounting Hole Depth		Through
Mounting Hole Quantity		2
Model Weight	2.77 lb.	1.26 kg.

Option Selection

U.S. Dollar

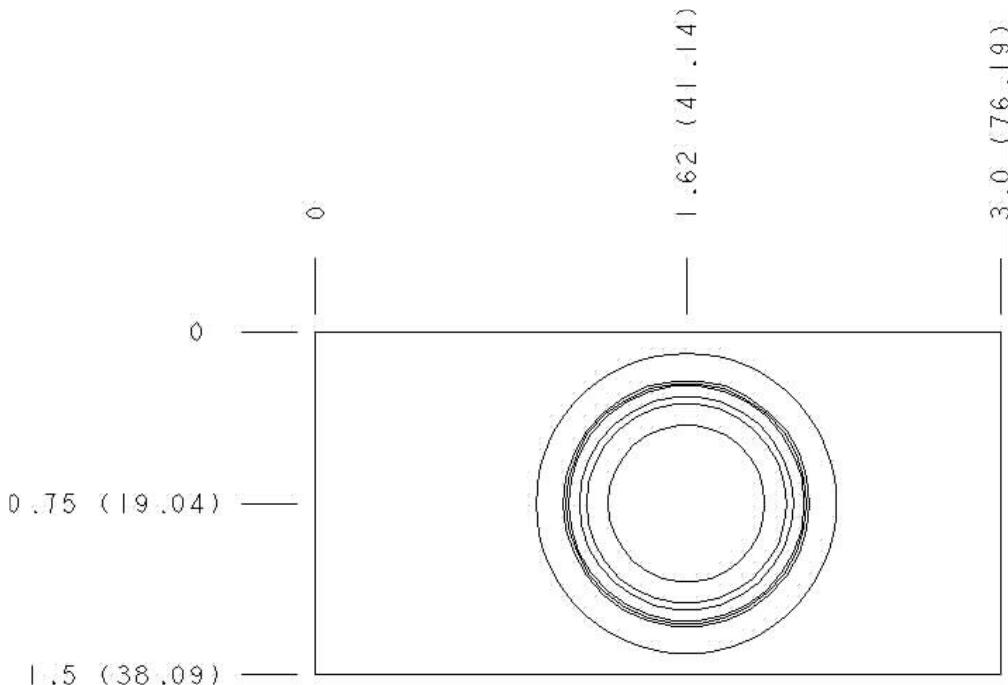
Aluminum Body Pressure Rating: **3000 psi (210 bar)**
 Ductile Iron Body Pressure Rating: **5000 psi (350 bar)**

Model Code	Description
BCW	Aluminum, Buna-N, U.S. Units
BCW/S	Ductile Iron, Buna-N, U.S. Units

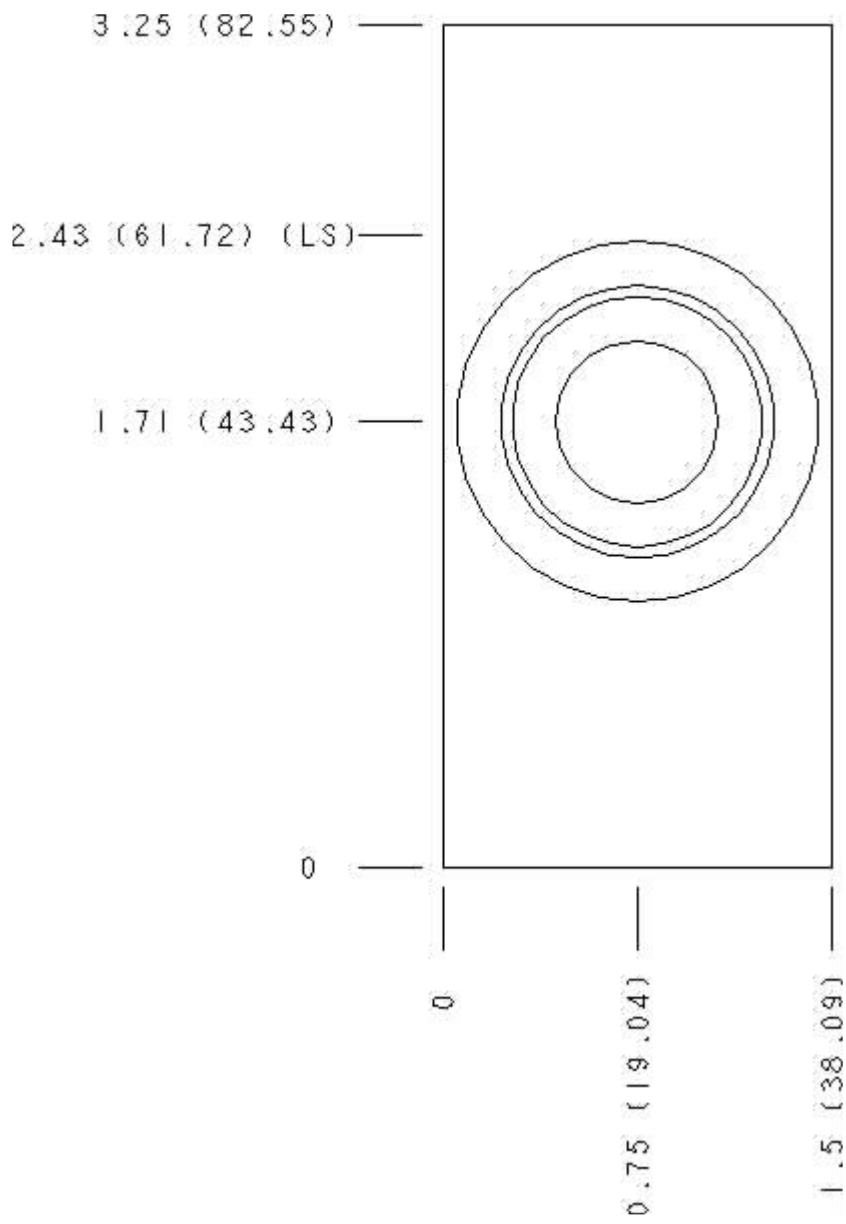
Special Notes

- Pressure ratings are dependent on manifold material. When choosing the material, be sure to consider the maximum system pressure to which the manifold will be exposed.

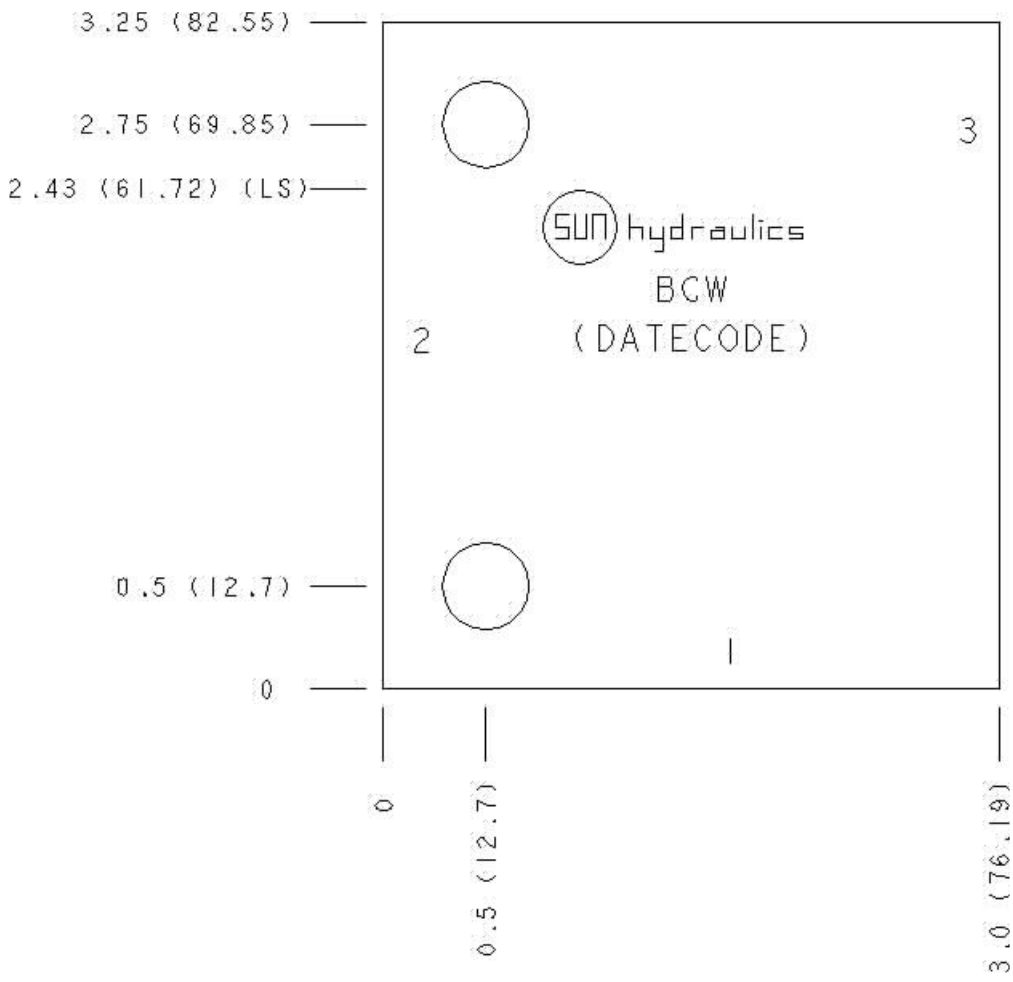
Face 2



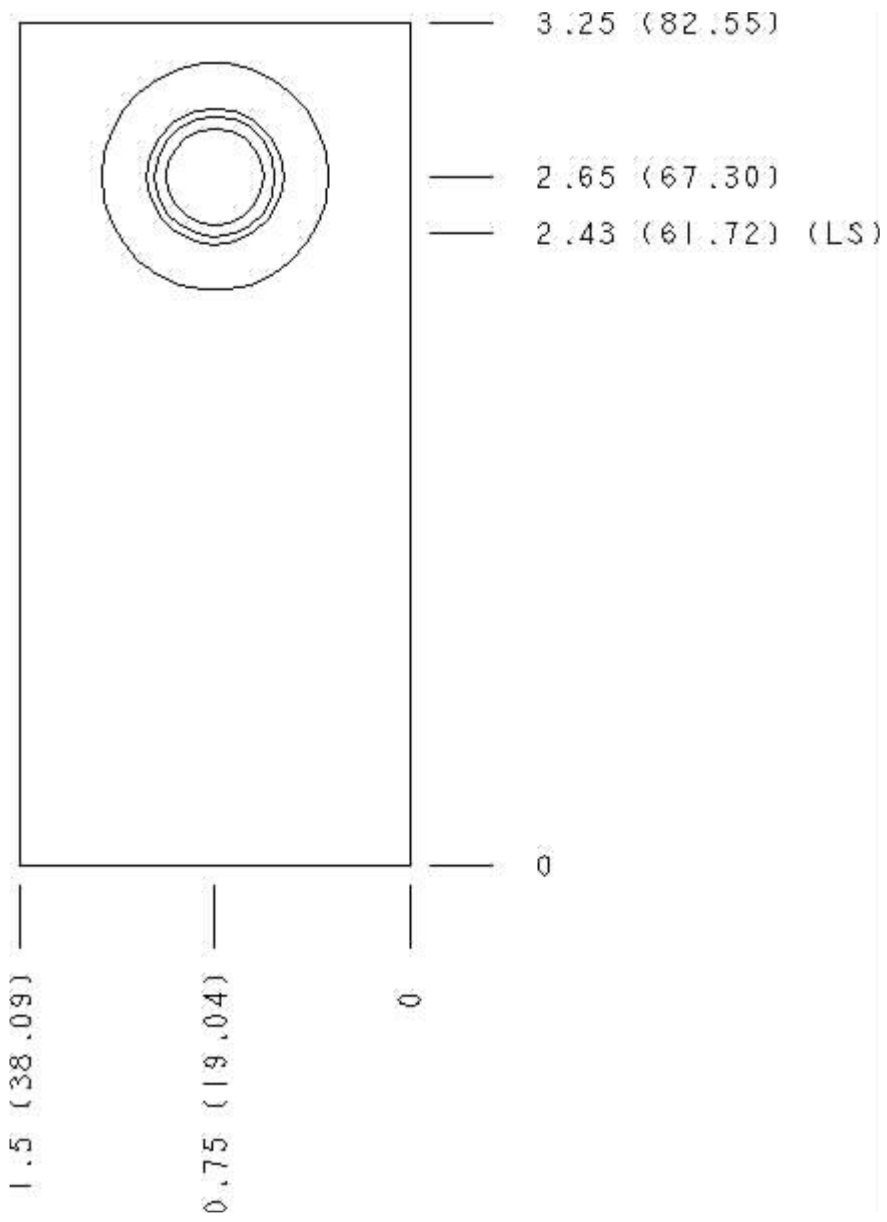
Face 5



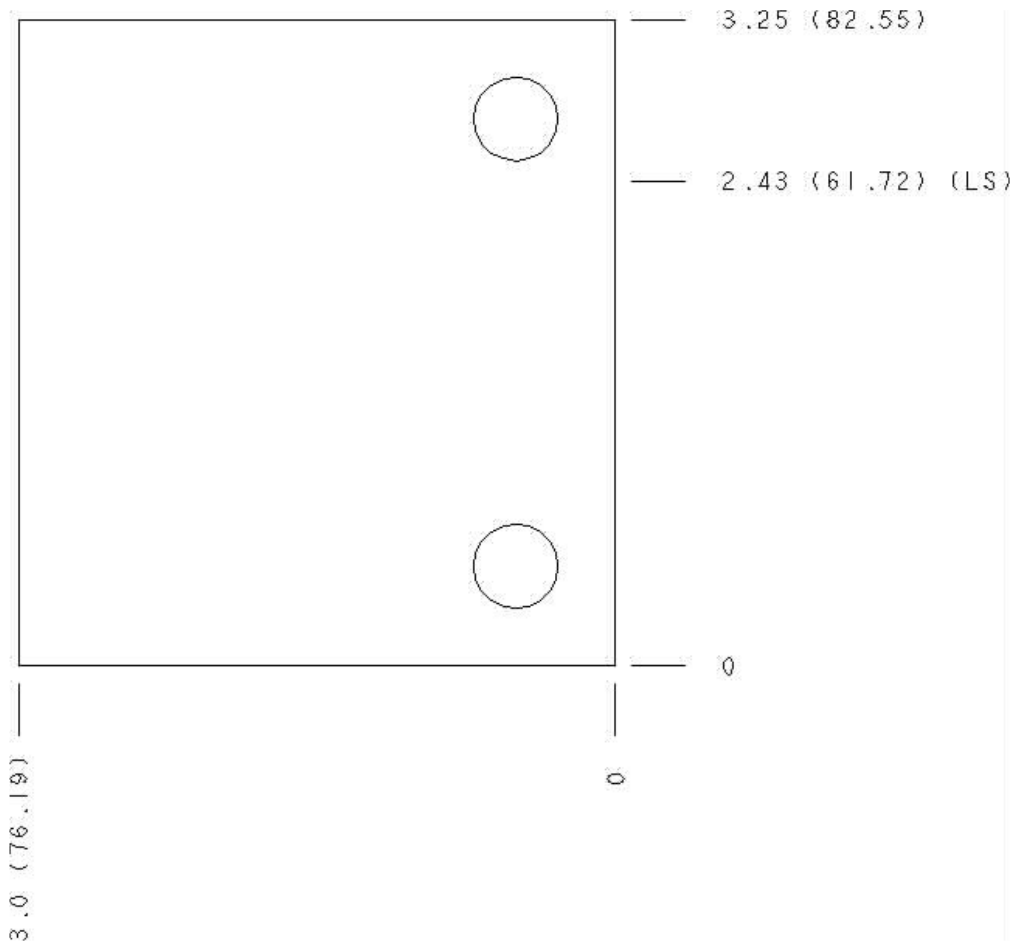
Face 6



Face 7



Face 8



Face 10

