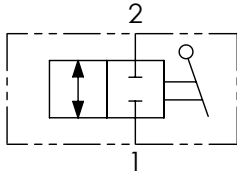


Schema idraulico - Hydraulic circuit



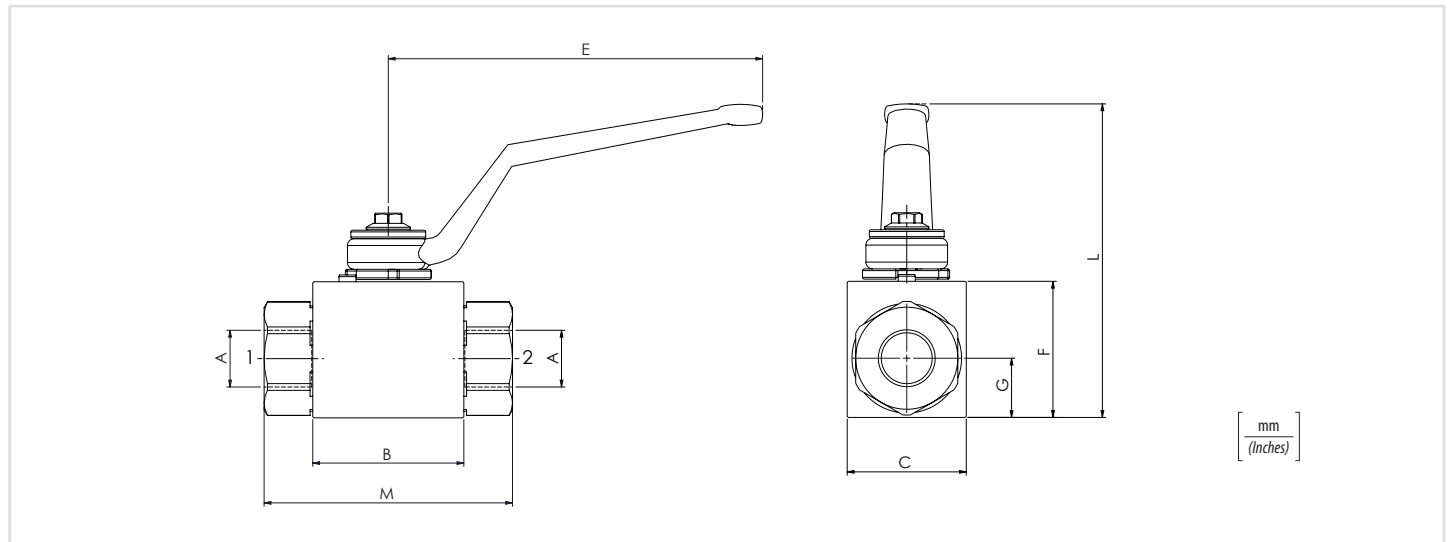
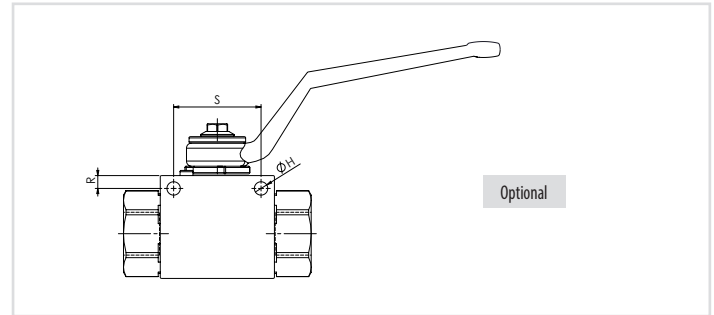
Codice ordinazione  
Ordering code

01	02	03	04
<b>RAS2</b>		<b>NPT</b>	

01	Valvole a sfera a 2 vie (2 ways ball valves)	<b>RAS2</b>	
02	Dimensione (Size)	NPT 1/8	<b>180</b>
		NPT 1/4	<b>140</b>
		NPT 3/8	<b>380</b>
		NPT 1/2	<b>120</b>
		NPT 3/4	<b>340</b>
		NPT 1	<b>100</b>
		NPT 1-1/4	<b>114</b>
		NPT 1-1/2	<b>112</b>
03	Filettatura (Thread)	NPT	<b>NPT</b>
04	Optional	Fori di fissaggio (Fixing parts)	<b>P</b>

Dati tecnici - Technical data

Olio idraulico/Mineral oil	ISO 6743/4 (DIN 51524)		
Viscosità olio/Oil viscosity	15-250 mm <sup>2</sup> /s (15 to 250 cSt)		
Classe di contaminazione max con filtro	ISO 4406:1999 Classe 19/17/14		
Max contamination index with filter			
Temperatura dell'olio/Oil temperature	-20°C +80°C	-4°F + 176°F	
Temperatura ambiente/Ambient temperature	-20°C +50°C	-4°F + 122°F	
<b>È indispensabile l'utilizzo di un filtro per proteggere la valvola (filtrazione consigliata 15 µm)</b>			
It is necessary a filter use to protect the valve (advised filtration 15 µm)			



Caratteristiche tecniche - Technical characteristics

Tipo Type	A	Portata max Max flow l/min-USgpm	Pressione max Max pressure bar-PSI	B	C	E	F	G	H	L	M	R	S	Peso approssimativo Approx weight kg-lb	
<b>RAS2180NPT</b>	<b>NPT 1/8</b>	<b>15 (4)</b>	<b>500 (7250)</b>	<b>42,4 (1.67)</b>	<b>30 (1.18)</b>	<b>110 (4.33)</b>	<b>35 (1.38)</b>	<b>14,5 (0.57)</b>	<b>5,2 (0.20)</b>	<b>91,5 (3.60)</b>	<b>71 (2.80)</b>	<b>4,5 (0.18)</b>	<b>34 (1.34)</b>	<b>0,5 (1.1)</b>	
<b>RAS2140NPT</b>	<b>NPT 1/4</b>	<b>25 (6.6)</b>												<b>0,7 (1.5)</b>	
<b>RAS2380NPT</b>	<b>NPT 3/8</b>	<b>35 (9.2)</b>												<b>0,8 (1.8)</b>	
<b>RAS2120NPT</b>	<b>NPT 1/2</b>	<b>60 (15.8)</b>												<b>0,8 (1.8)</b>	
<b>RAS2340NPT</b>	<b>NPT 3/4</b>	<b>100 (26.4)</b>	<b>400 (5800)</b>	<b>62,5 (2.46)</b>	<b>45 (1.77)</b>	<b>180 (7.09)</b>	<b>55 (2.17)</b>	<b>23,5 (0.93)</b>	<b>6,2 (0.24)</b>	<b>106,5 (4.19)</b>	<b>95 (3.74)</b>	<b>6 (0.24)</b>	<b>50 (1.97)</b>	<b>1,5 (3.3)</b>	
<b>RAS2100NPT</b>	<b>NPT 1</b>	<b>150 (39.6)</b>	<b>350 (5075)</b>	<b>66,5 (2.62)</b>	<b>55 (2.17)</b>									<b>65 (2.56)</b>	<b>29,5 (1.16)</b>
<b>RAS2114NPT</b>	<b>NPT 1-1/4</b>					<b>124 (4.88)</b>	<b>2,5 (5.5)</b>								
<b>RAS2112NPT</b>	<b>NPT 1-1/2</b>						<b>2,5 (5.5)</b>								