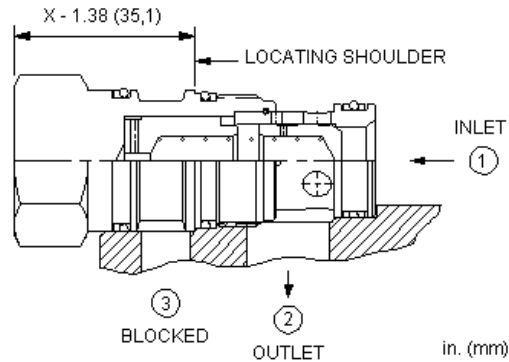
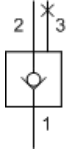


MODEL
CXFC

Free flow nose to side check valve with port 3 blocked
CAPACITY: 160 L/min. | CAVITY: T-2A



CONFIGURATION

X	Control	Not Adjustable
C	Cracking Pressure	30 psi (2 bar)
N	Seal Material	Buna-N

Free-flow, nose-to-side cheater check valves function as a standard 2-port check valve in a 3-port cavity with port 3 of the cartridge blocked off. These valves are useful in circuits where a check valve is required in an existing three port cavity.

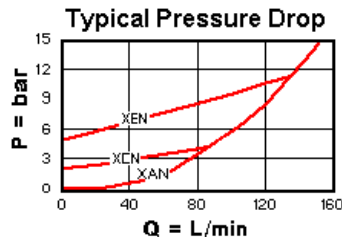
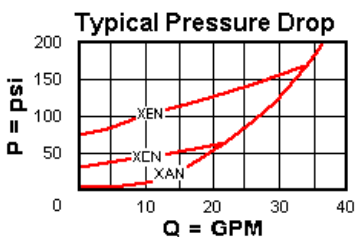
TECHNICAL DATA

Cavity	T-2A
Series	2
Capacity	160 L/min.
Maximum Operating Pressure	350 bar
Maximum Valve Leakage at 110 SUS (24 cSt)	0,07 cc/min.
Valve Hex Size	28,6 mm
Valve Installation Torque	61 - 68 Nm
Seal kit - Cartridge	Buna: 990-202-007
Seal kit - Cartridge	Polyurethane: 990-002-002
Seal kit - Cartridge	Viton: 990-202-006
Model Weight	0.23 kg.

TECHNICAL FEATURES

- Check valves offer extremely low leakage rates with a maximum leakage of less than 1 drop per minute (0,07 cc/min).
- Incorporates the Sun floating style construction to minimize the possibility of internal parts binding due to excessive installation torque and/or cavity/cartridge machining variations.

PERFORMANCE CURVES



CONFIGURATION OPTIONS

CONTROL

Standard Options	X	Not Adjustable
-------------------------	----------	----------------

CRACKING PRESSURE

	A	4 psi (0,3 bar)
	B	15 psi (1 bar)
	C	30 psi (2 bar)
Standard Options	D	50 psi (3,5 bar)
	E	75 psi (5 bar)
	F	100 psi (7 bar)
	Z	1 psi (0,07 bar)

SEAL MATERIAL

Standard Options	N	Buna-N
	V	Viton

Copyright © 2002-2014 Sun Hydraulics Corporation. All rights reserved.