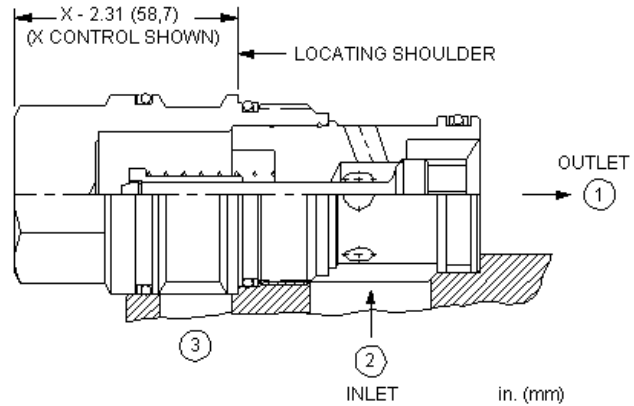
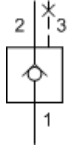


MODEL  
CXIE

Free flow side to nose check valve with port 3 blocked  
CAPACITY: 480 L/min. | CAVITY: T-19A



**CONFIGURATION**

<b>X</b>	Control	Not Adjustable
<b>C</b>	Cracking Pressure	30 psi (2 bar)
<b>N</b>	Seal Material	Buna-N
<b>(none)</b>	Material/Coating	Standard Material/Coating

Free-flow, side-to-nose cheater check valves function as a standard 2-port check valve in a 3-port cavity with port 3 of the cartridge blocked off. These valves are useful in circuits where a check valve is required in an existing three port cavity.

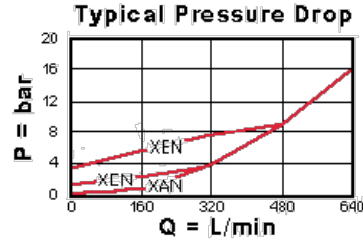
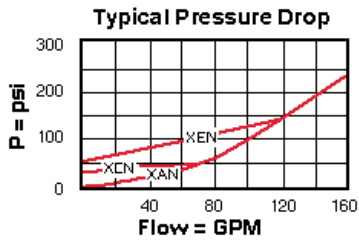
**TECHNICAL DATA**

Cavity	T-19A
Series	4
Capacity	480 L/min.
Maximum Operating Pressure	350 bar
Maximum Valve Leakage at 110 SUS (24 cSt)	0,07 cc/min.
Valve Hex Size	41,3 mm
Valve Installation Torque	475 - 508 Nm
Seal kit - Cartridge	Buna: 990-019-007
Seal kit - Cartridge	Polyurethane: 990-019-002
Seal kit - Cartridge	Viton: 990-019-006
Model Weight	1.08 kg.

**TECHNICAL FEATURES**

- Two-port check valves share the same cavity for a given frame size, however, pay close attention as flow paths may be in opposite directions.
- Check valves offer extremely low leakage rates with a maximum leakage of less than 1 drop per minute (0,07 cc/min).
- Will accept 5000 psi (350 bar) at ports 1 and 2.
- Corrosion resistant cartridge valves are intended for use in corrosive environments and are identified by the model code suffix /AP (see Option Selection below). External parts are made from stainless steel with titanium or brass components, where applicable. Internal parts are made from carbon steel leaded alloy, the same as standard valves. For further details, please see the Materials of Construction page.
- Incorporates the Sun floating style construction to minimize the possibility of internal parts binding due to excessive installation torque and/or cavity/cartridge machining variations.

**PERFORMANCE CURVES**




---

## CONFIGURATION OPTIONS

### CONTROL

Standard Options	X	Not Adjustable
------------------	---	----------------

### CRACKING PRESSURE

Standard Options	A	4 psi (0,3 bar)
	B	15 psi (1 bar)
	C	30 psi (2 bar)
	D	50 psi (3,5 bar)
	E	75 psi (5 bar)
	F	100 psi (7 bar)

### SEAL MATERIAL

Standard Options	N	Buna-N
	V	Viton

### MATERIAL/COATING

Standard Options		Standard Material/Coating
	/AP	Stainless Steel, Passivated

Copyright © 2002-2014 Sun Hydraulics Corporation. All rights reserved.