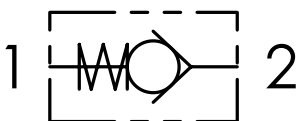


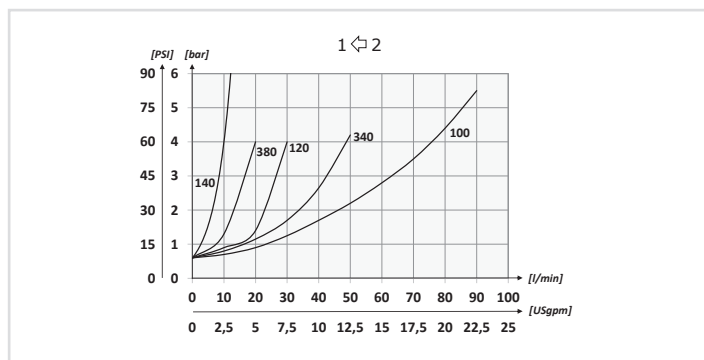
Schema idraulico - Hydraulic circuit



| | | | | |
|-------------------------------------|------------|----|----|----|
| Codice ordinazione Ordering code | 01 | 02 | 03 | 04 |
| | VUN | | | |

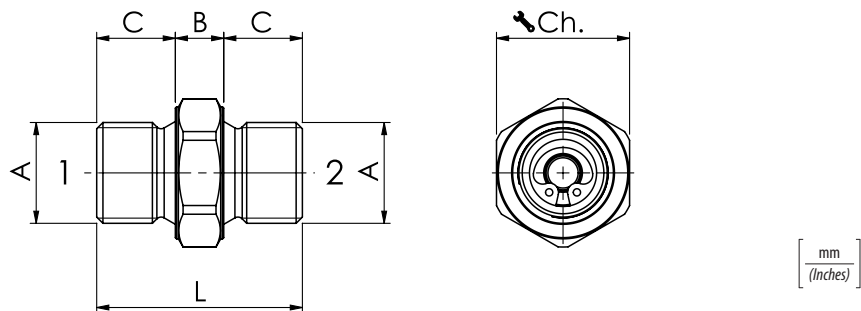
| | | | |
|----|---|--|------------|
| 01 | Valvole unidirezionali M/M (M/M Check valves) | VUN | |
| 02 | Dimensione (Size) | BSPP 1/4 | 140 |
| | | BSPP 3/8 | 380 |
| | | BSPP 1/2 | 120 |
| | | BSPP 3/4 | 340 |
| 03 | Tenuta (Sealing) | Tenuta a sfera solo per VUN140/380/120 e molla 1 bar (Ball sealing only for VUN140/380/120 and spring 1 bar) | SF |
| | | Tenuta a cono (Poppet sealing) | SP |
| 04 | Molla (Spring) | 1 bar Standard (14.5 PSI) | 1 |
| | | 3 bar (43.5 PSI) | 3 |
| | | 4,5 bar (65.25 PSI) | 4,5 |
| | | 6 bar (87 PSI) | 6 |

Performances



Dati tecnici - Technical data

| | |
|---|--|
| Oilio idraulico/Mineral oil | ISO 6743/4 (DIN 51524) |
| Viscosità olio/Oil viscosity | 15-250 mm ² /s (15 to 250 cSt) |
| Classe di contaminazione max con filtro Max contamination index with filter | ISO 4406:1999 Classe 19/17/14 |
| Temperatura dell'olio/Oil temperature | -20°C +80°C -4°F + 176°F |
| Temperatura ambiente/Ambient temperature | -20°C +50°C -4°F + 122°F |
| È indispensabile l'utilizzo di un filtro per proteggere la valvola (filtrazione consigliata 15 µm) It is necessary a filter use to protect the valve (advised filtration 15 µm) | |
| Trafilamento massimo Max leakage | 0,25 cm³/min - 5 gocce/min 0,015 in ³ /min - 5 drops/min |



Caratteristiche tecniche - Technical characteristics

| Codice Code | A | Portata max (l/min) Max flow (USgpm) | Pressione max (bar) Max pressure (PSI) | L | B | C | Ch. | Peso approssimativo (kg) Approx weight (lb) |
|---------------|-----------------|---|---|------------------|------------------|------------------|-----------|--|
| VUN140 | BSPP 1/4 | 5 (1.3) | 500 (7250) | 29 (0.28) | 7 (1.27) | 11 (0.43) | 19 | 0,03 (0.066) |
| VUN380 | BSPP 3/8 | 15 (4) | | 34 (1.34) | 8 (0.31) | 13 (0.51) | 22 | 0,05 (0.01) |
| VUN120 | BSPP 1/2 | 30 (7.9) | | 44 (1.73) | 16 (0.63) | 14 (0.55) | 27 | 0,11 (0.24) |
| VUN340 | BSPP 3/4 | 50 (13.2) | | 50 (1.97) | 16 (0.63) | 17 (0.67) | 32 | 0,18 (0.40) |
| VUN100 | BSPP 1 | 90 (23.8) | | 57 (2.24) | 19 (0.75) | 19 (0.75) | 41 | 0,32 (0.71) |