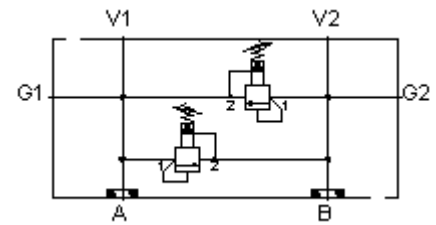


Functional Group:

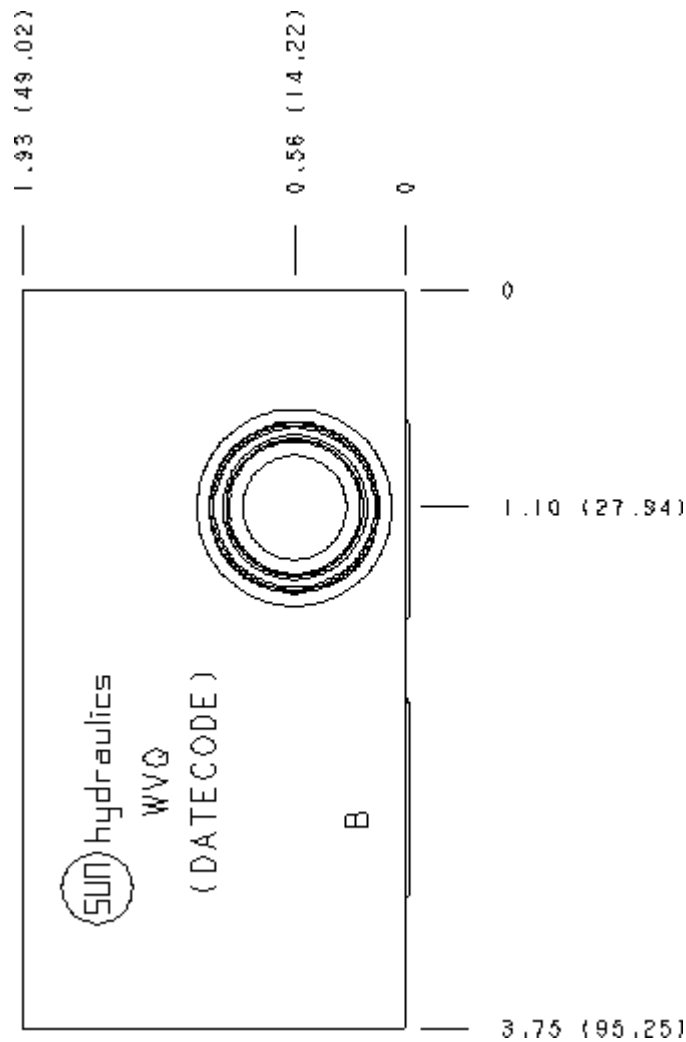
Products : Manifolds : Motor Mount : Relief : Danfoss OMP/OMR : Cross Port

Model:

WVQ



Face: 8



Port Headings and Sizes

WVQ	Ports V1 & V2	1/2" BSPP
WVQ	Gage Ports	1/4" BSPP

Technical Data

	U.S. Units	Metric Units
Cavity		T-10A
Body Features		Cross port
Body Type		Motor mount
Interface		Danfoss OMP
Open Cavity Quantity		2
Model Weight	2.10 lb.	0.95 kg.

Option SelectionU.S. Dollar Aluminum Body Pressure Rating: **3000 psi (210 bar)**Ductile Iron Body Pressure Rating: **5000 psi (350 bar)**

Model Code	Description
WVQ	Aluminum, Buna-N, U.S. Units
WVQ/S	Ductile Iron, Buna-N, U.S. Units
WVQ/V	Aluminum, Viton, U.S. Units
WVQ/Y	Ductile Iron, Viton, U.S. Units

Display Components

Part	Description	Quantity
500-001-118	O-Ring	2
330-018-002	Plug	2

Special Notes

- **Important:** Please carefully consider the maximum system pressure to which the manifold will be exposed. The pressure rating of the manifold is dependent on the manifold material, with the port type and sizing a secondary consideration. For example, manifolds constructed of aluminum are not rated for system pressures higher than 3000 psi (210 bar), regardless of the port type and size specified.
-
-