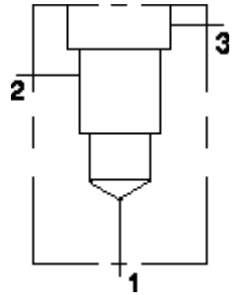


Functional Group:

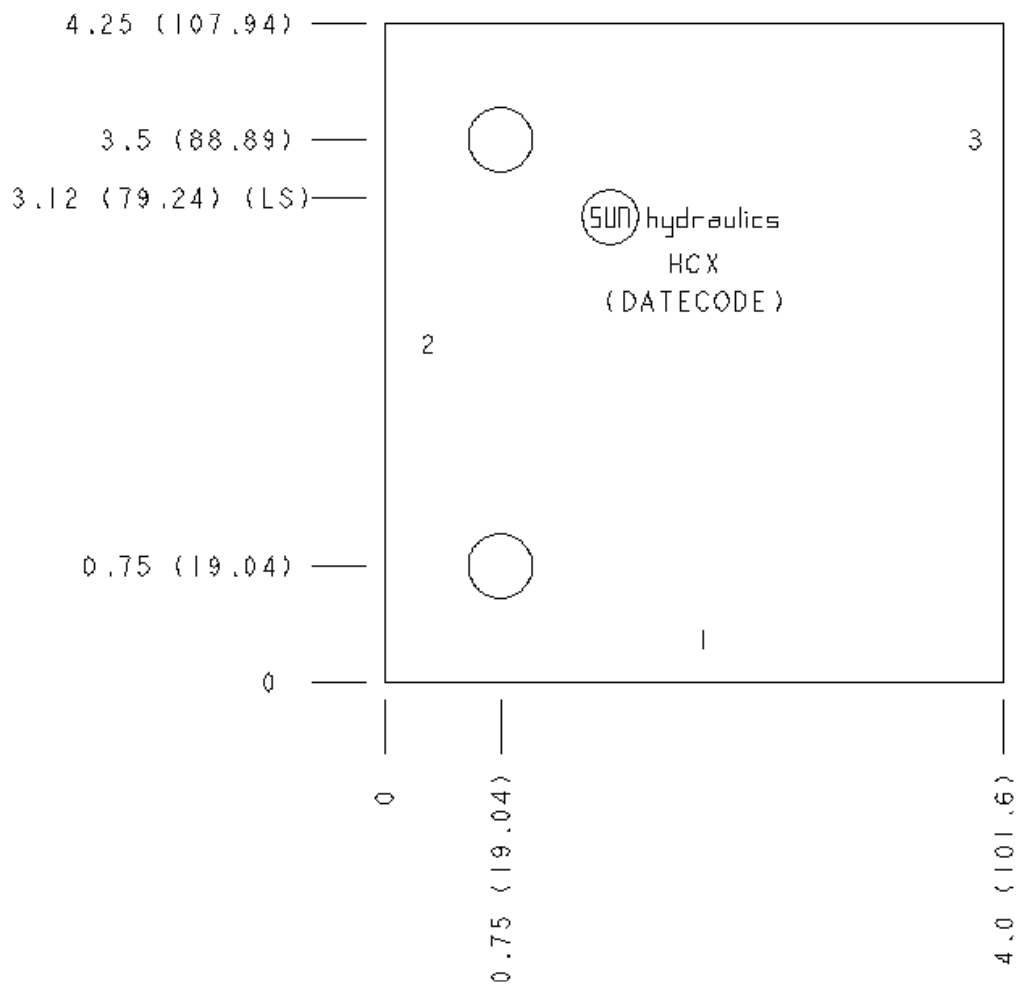
**Products : Manifolds : Line Mount : Check : 3 Port : Ninety degree**

Model:

**HCX**



**Face: 6**



**Port Headings and Sizes**

HCX	Ports 1 & 2	1" BSPP
HCX	Port 3	1/4" BSPP

### Technical Data

	U.S. Units	Metric Units
Cavity		T-17A
Body Features		Ninety degree
Body Type		Line mount
Interface		None
Open Cavity Quantity		1
Mounting Hole Diameter	.42 in.	10,7 mm
Mounting Hole Depth		Through
Mounting Hole Quantity		2
Model Weight	2.90 lb.	1.32 kg.

### Option Selection

U.S. Dollar

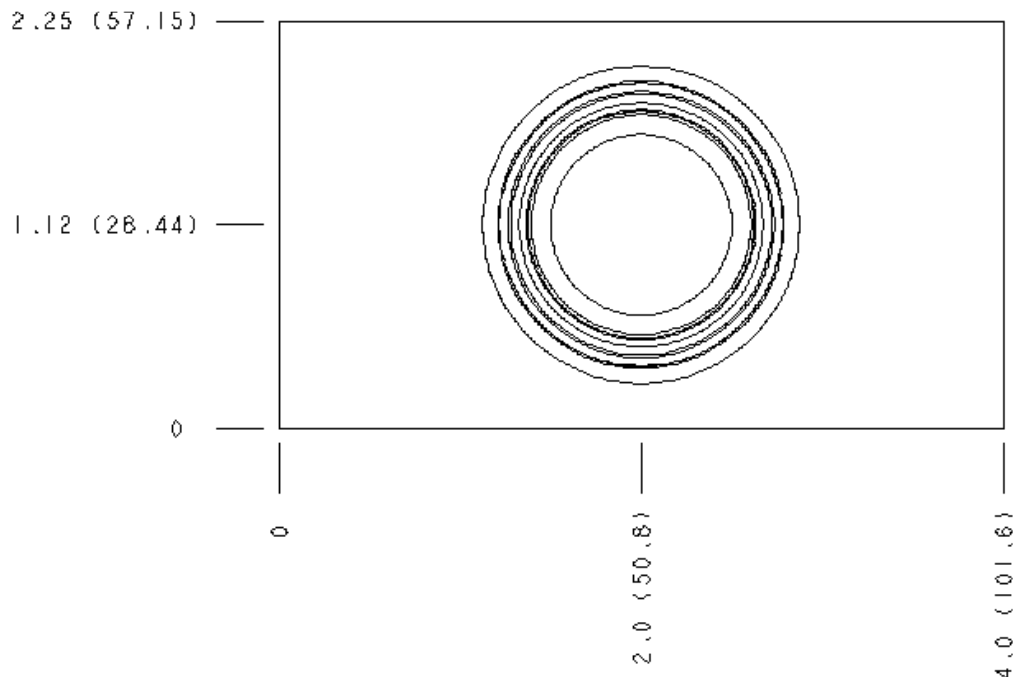
Aluminum Body Pressure Rating: **3000 psi (210 bar)**  
Ductile Iron Body Pressure Rating: **5000 psi (350 bar)**

Model Code	Description
HCX	Aluminum, Buna-N, U.S. Units
HCX/S	Ductile Iron, Buna-N, U.S. Units

### Special Notes

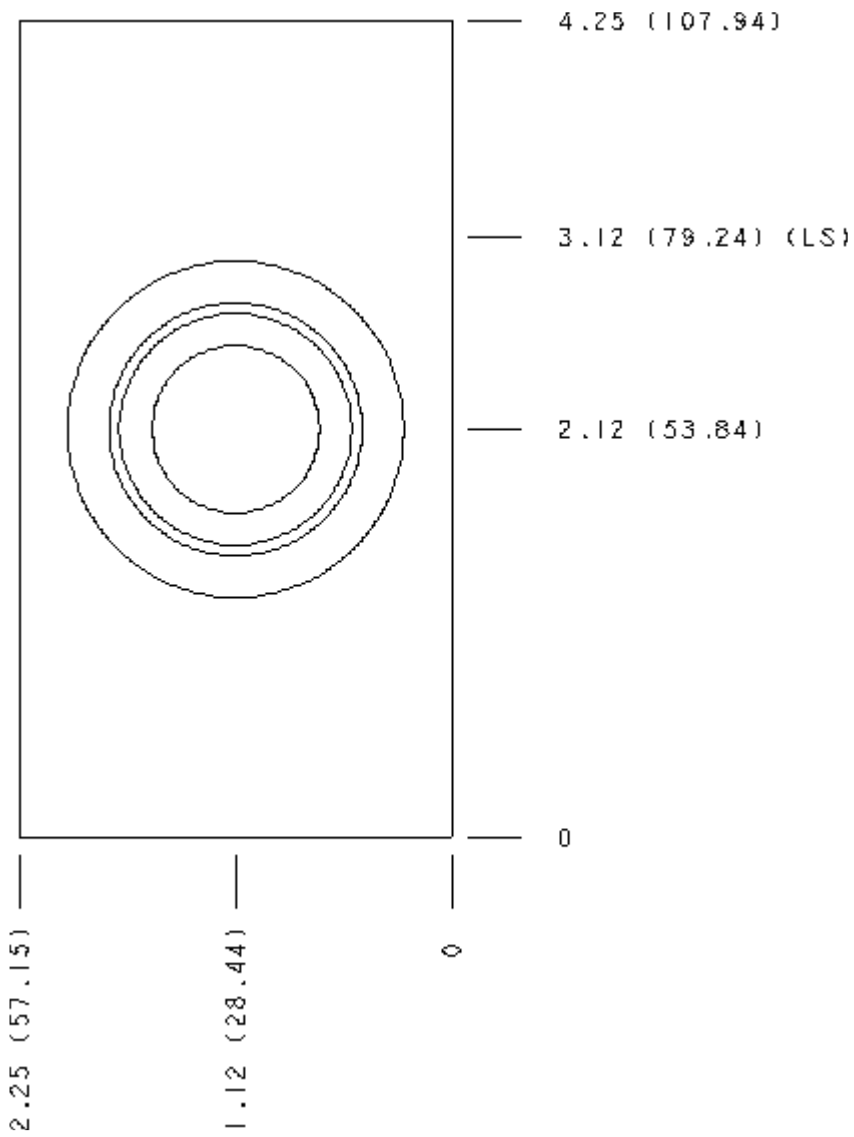
- Pressure ratings are dependent on manifold material. When choosing the material, be sure to consider the maximum system pressure to which the manifold will be exposed.

### Face 2



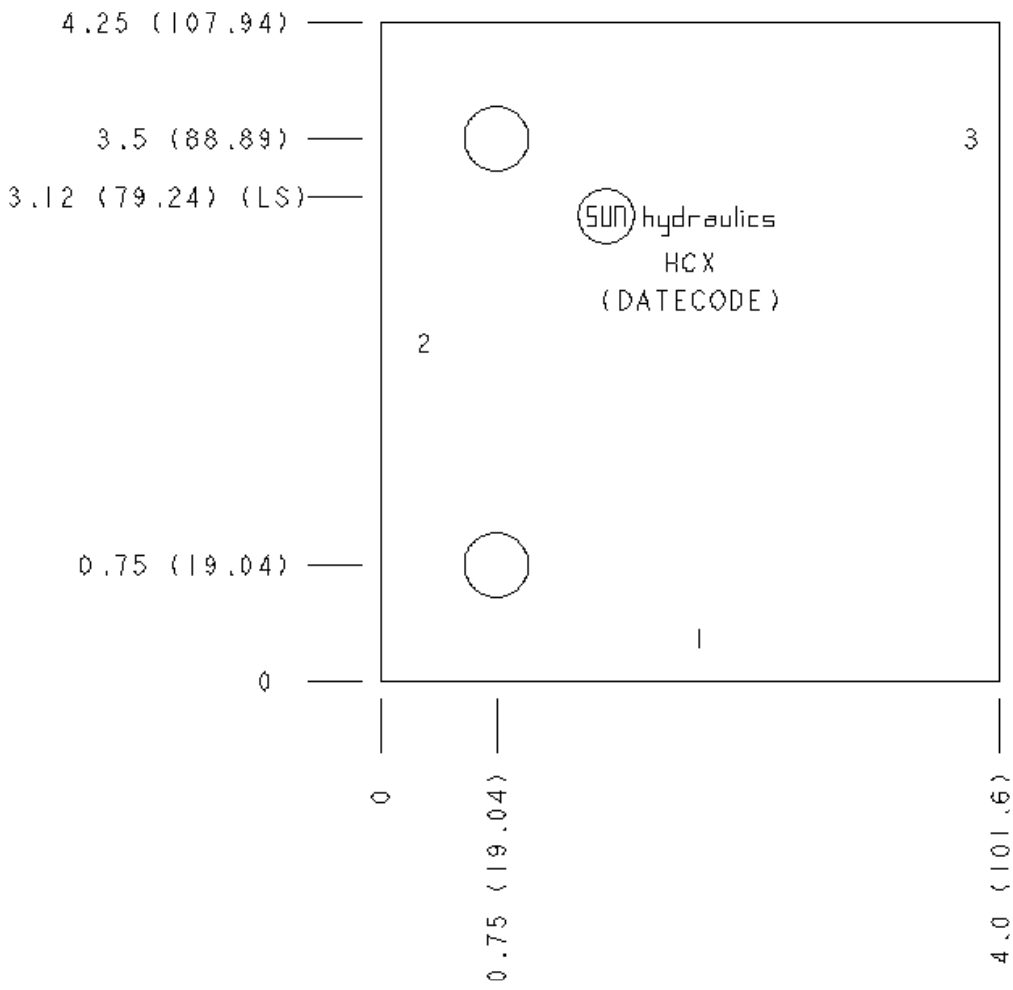
## Face 5

---



## Face 6

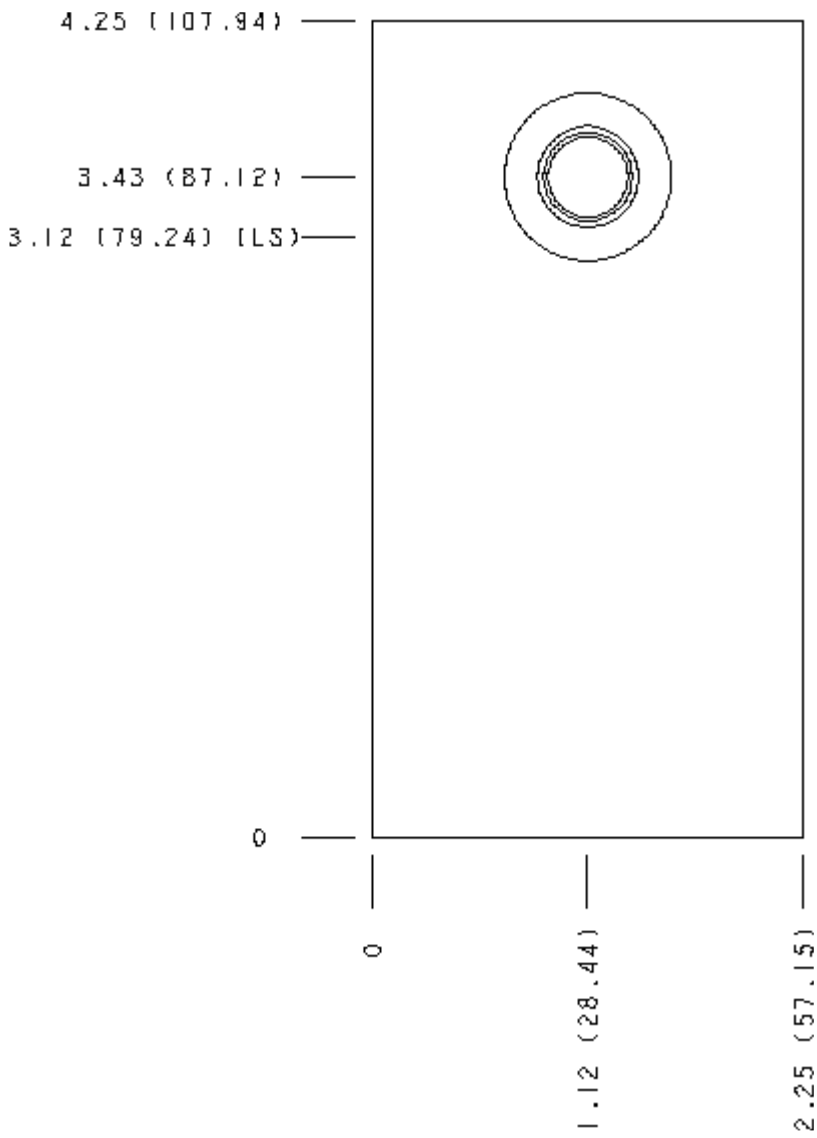
---



---

**Face 7**

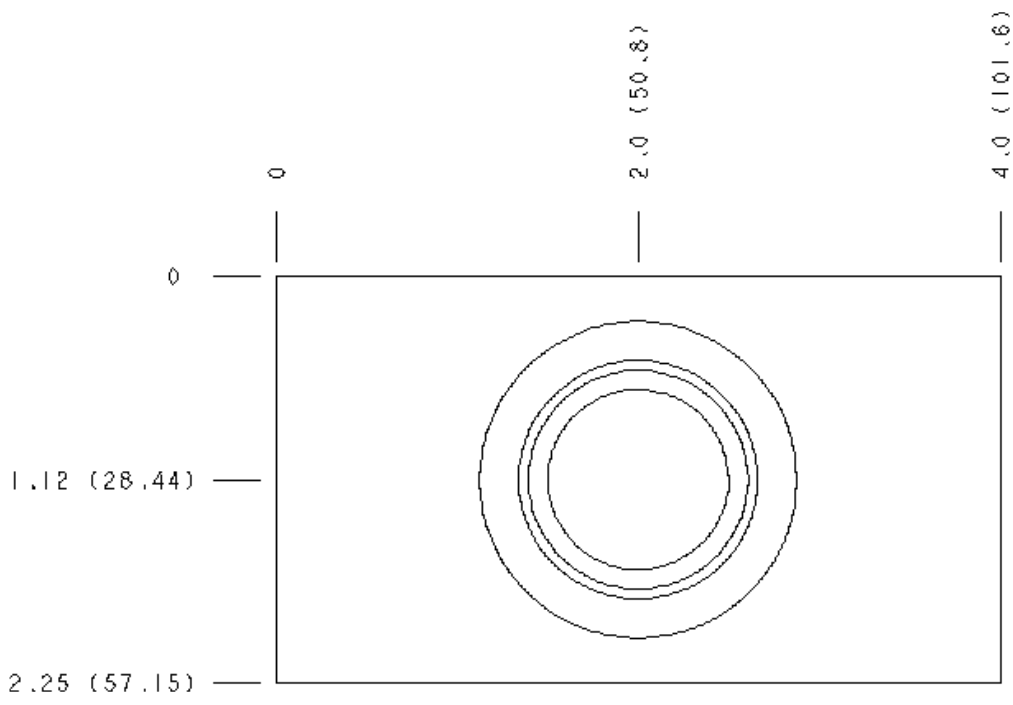
---



---

**Face 10**

---



Copyright © 2002-2011 Sun Hydraulics Corporation. All rights reserved.  
Terms and Conditions - ISO Certification - Statement of Privacy